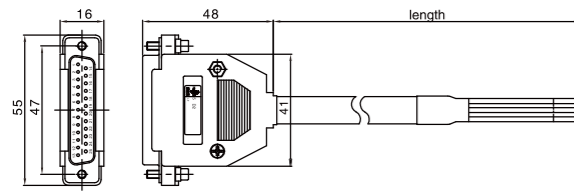


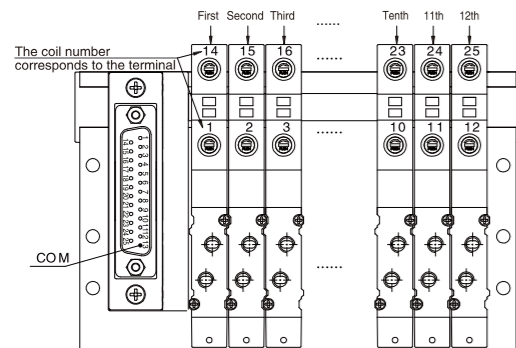
Connector & Cable



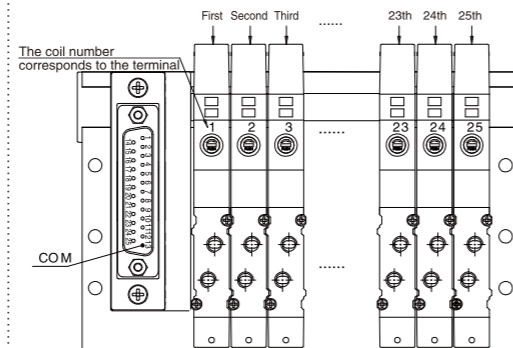
Connector Cable	PIN number & Wire Color			
	PIN Number	D25-25 Wire Color	D25-16D Wire Color	D25-16S Wire Color
1	Purple	Purple	Purple	Purple
2	Orange	Orange	Orange	Orange
3	Pink	Pink	Pink	Pink
4	Grey	Grey	Grey	Grey
5	White	White	White	White
6	Red	Red	Red	Red
7	Green	Green	Green	Green
8	Black	---	Black with point	---
9	Purple with 1 point	---	Purple with 1 point	---
10	Orange with 1 point	---	Orange with 1 point	---
11	Pink with 1 point	---	Pink with 1 point	---
12	Grey with 1 point	---	Grey with 1 point	---
13(COM)	Yellow	Black	Black	Black
14	White with 1 point	White with point	White with point	---
15	Red with 1 point	Red with point	Red with point	---
16	Green with 1 point	Green with point	Green with point	---
17	Black with 1 point	Black with point	---	---
18	Purple with 2 point	Purple with point	---	---
19	Orange with 2 point	Orange with 1 point	---	---
20	Pink with 2 point	Pink with point	---	---
21	Grey with 2 point	---	---	---
22	White with 2 point	---	---	---
23	Red with 2 point	---	---	---
24	Green with 2 point	---	---	---
25	Black with 2 point	---	---	---

Valve Terminal Inner Wiring Diagram

Double control wiring max.12 link

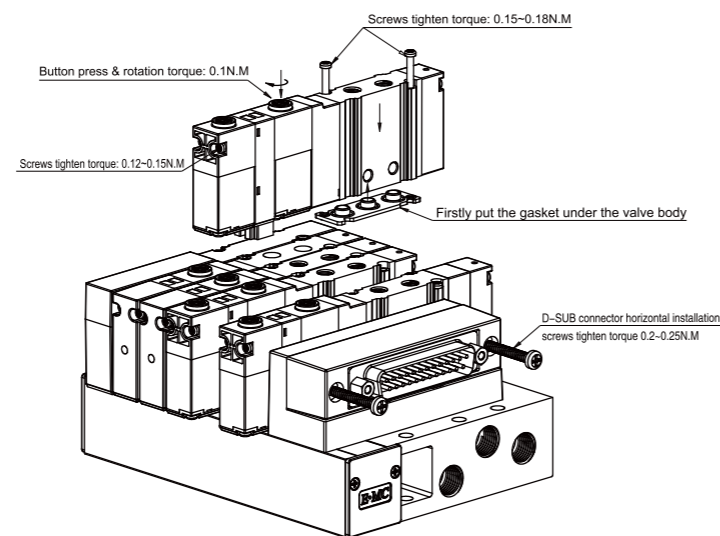


Single control wiring max.24 link



Installation & Usage Attention

1. Do not drop the solenoid valve when it takes out from the box to avoid the damage;
2. Do not hit by external force during installation and adjustment;
3. Do not disassemble when using, once disassembled and reassembled, it may not meet the default setting and leads poor performance;
4. The torque required for relevant parts be showed on right picture.



SP Valve Terminal



Product Features

- 3/2 Direct Acting, reversing fast, zero-pressure/low vacuum start.
- Double-row valve integrated, greatly save installation space.
- 37 Pins D-sub connector save assembly time, COM terminal non-polar.
- Single valve DIN coil, plate mounting with seals, easily maintenance.

How to Order?

SP series 3/2 integrated valve terminal

Series No.	Body Size	Type	Valve Links	Port Size	Voltage	Inlet Port	Thread Type
S: Standard SN: Power saving	1: 1 series	P: P series 3/2 way directional	7F: 7 Valve 8F: 8 Valves 32F: 32 Valves	M5: M5 C4: φ 4 Tube	E4: DC24V E5: DC12V (only DC24V available power)	Blank: No fitting C8: φ 8 Tube	Blank: G P: PT T: NPT

Order Example:

S1P series valve terminal, 1 series valve body, P series 3/2 way directional valve, 16 valves, DC24V, φ 8 fitting, G thread, the ERP code is: S1P16F-C4E4-C8

SP series 3/2 single valve

Series No.	Type	Way	Position	Body Size	Voltage
S: Standard SN: Power saving	P: P series 3/2 way directional	3	2	1: 1 series	E4: DC24V E5: DC12V (only DC24V available power)

*Standard mounting screws

SP series connector

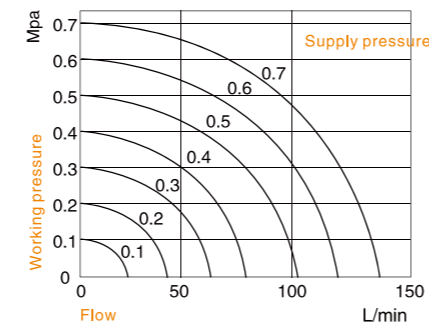
Connector	Cable core	Length
D37: 37PINS D-Su	37: 37cores (≤32 valves) 25: 25cores (≤20 valves) 16: 16cores (≤11 valves)	1M: 1 meters 2M: 2 meters 3M: 3 meters

(Note: other lengths can be ordered according to customer requirements)

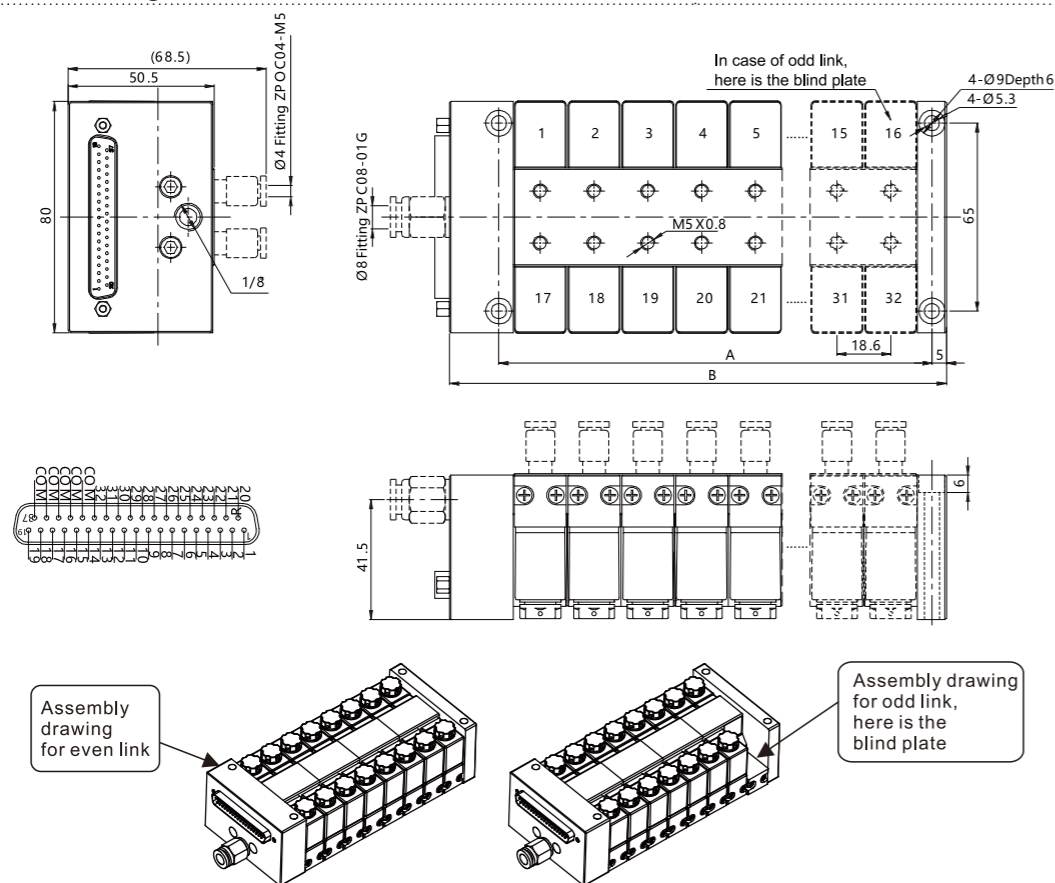
Specifications

Model	SN1P	S1P
Working medium	Clean air(After 40 μ m filtration)	
Acting type	Direct acting	
Orifice	φ 1.1mm	
Port size	Air input G1/8, Working port M5	
Lubrication	No required	
Working pressure (MPa)	0~0.8	
Guaranteed pressure(MPa)	1.2	
Working temperature (°C)	-20~70	
Voltage range	-15%~10%	
Power consumption	0.6W	2.8W
Insulation class	F Class	
Protective class	IP40	
Max.acting frequency	20 cycle/s	
Sealing material	HNBR	
Activate time	10ms or less(0.5MPa)	

Flow Chart

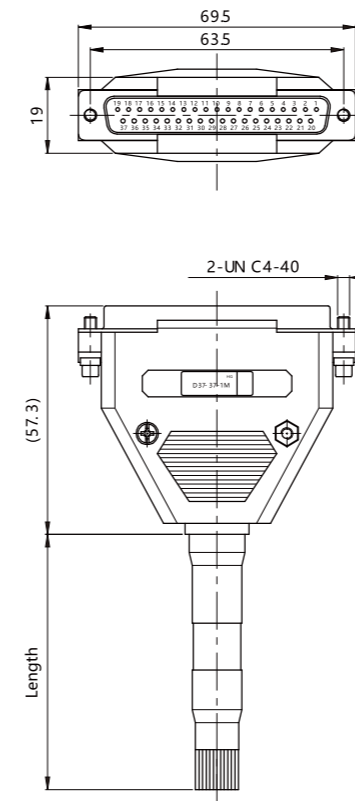


Dimension & Wiring



Sign/Model	S1P7F S1P8F	S1P9F S1P10F	S1P11F S1P12F	S1P13F S1P14F	S1P15F S1P16F	S1P17F S1P18F	S1P19F S1P20F
A	84.4	103	121.6	140.2	158.8	177.4	196
B	106.4	125	143.6	162.2	180.8	199.4	218
Sign/Model	S1P21F S1P22F	S1P23F S1P24F	S1P25F S1P26F	S1P27F S1P28F	S1P29F S1P30F	S1P31F S1P32F	
A	214.6	233.2	251.8	270.4	289	307.6	
B	236.4	255.2	273.8	292.4	311	329.6	

Connector Wiring Instruction



PIN Number	D37-37 Wire Color	D37-25 Wire Color	D37-16 Wire Color
1	Purple	Purple	Purple
2	Orange	Orange	Orange
3	Pink	Pink	Pink
4	Grey	Grey	Grey
5	White	White	White
6	Yellow	Yellow	---
7	Purple with 2 point	Purple with 2 point	---
8	Orange with 2 point	Orange with 2 point	---
9	Pink with 2 point	Pink with 2 point	---
10	Grey with 2 point	Grey with 2 point	---
11	Yellow with 1 point	---	---
12	Yellow with 2 point	---	---
13	Purple with 3 point	---	---
14	Orange with 3 point	---	---
15	Pink with 3 point	---	---
16	Grey with 3 point	---	---
17	Red	Red	Red
18	Green	Green	Green
19	Black	Black	Black
20	Purple with 1 point	Purple with 1 point	Purple with 1 point
21	Orange with 1 point	Orange with 1 point	Orange with 1 point
22	Pink with 1 point	Pink with 1 point	Pink with 1 point
23	White with 2 point	White with 2 point	---
24	Red with 2 point	Red with 2 point	---
25	Green with 2 point	Green with 2 point	---
26	Black with 2 point	Black with 2 point	---
27	White with 3 point	---	---
28	Red with 3 point	---	---
29	Green with 3 point	---	---
30	Black with 3 point	---	---
31	Yellow with 3 point	---	---
32	Blue	---	---
33	Grey with 1 point	Grey with 1 point	Grey with 1 point
34	White with 1 point	White with 1 point	White with 1 point
35	Red with 1 point	Red with 1 point	Red with 1 point
36	Green with 1 point	Green with 1 point	Green with 1 point
37	Black with 1 point	Black with 1 point	Black with 1 point