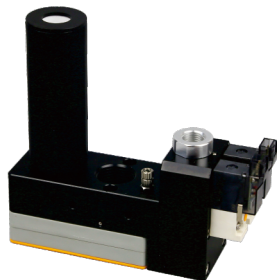


## EJM

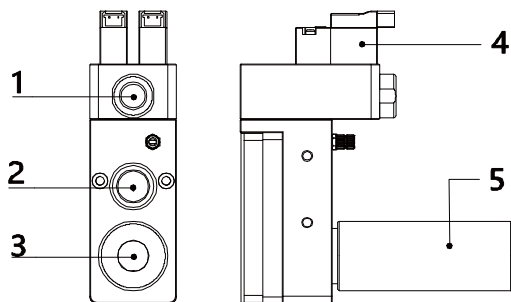
### Vacuum Generator

Vacuum Flow: 70NL/min-140NL/min



#### Application/Features

- The product adopts multistage vacuum tube, can be widely used in a variety of industries.
- High vacuum flow rate and short response time.
- Centralized air supply, solenoid valve air supply, failure control mode.
- With external silencer, excellent noise reduction performance.



- 1、 Gas mouth
- 2、 Vacuum port
- 3、 Exhaust port
- 4、 Solenoid valve
- 5、 Silencer

#### Specifications

## EJM 10 - D - NC

①                      ②                      ③                      ④

①	Type		②	Specification			③ Solenoid Valve Control mode			④ Solenoid Valve Type		
	EJM	EJM series		10	20	Supply Valve	Destroy The Valve	Supply Valve	Destroy The Valve	Supply Valve	Destroy The Valve	
			10	1set of vacuum tubes	No	•	--	NC	NC	NC		
			20	2set of vacuum tubes	D	•	•	NO	NO	NC		

#### Performance Parameter

Specifications And Models	Air Supply Pressure (Mpa)	Maximum Vacuum: -kpa	Maximum Vacuum Flow NL/min	Gas Consumption NL/min	Recommended Diameter Of Air Supply Port (mm)	Recommended Diameter Of Vacuum Port (mm)
EJM 10-	0.45	84	70	52	8	10
EJM 20-	0.45	84	140	107	8	12

# EJM Series Vacuum Generator



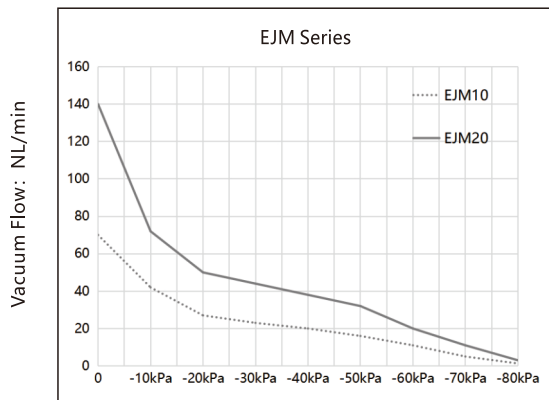
## Vacuum Flow Rate Of Different Vacuum Degrees (-kpa) (NL/min)

Specifications And Models	Air Supply Pressure (Mpa)	Gas Consumption NL/min	0	10	20	30	40	50	60	70	80	90	Maximum Vacuum: -kpa
EJM 10-	0.45	52	70	42	27	23	20	16	11	5	1.3	—	84
EJM 20-	0.45	107	140	72	50	44	38	32	20	11	3	—	84

## Suction Time Of Different Vacuum Degrees (-kpa) (S/L)

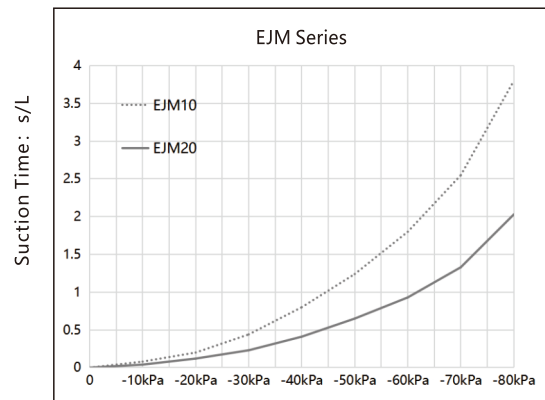
Specifications And Models	Air Supply Pressure (Mpa)	Gas Consumption NL/min	0	10	20	30	40	50	60	70	80	90	Maximum Vacuum: -kpa
EJM 10-	0.45	52	0	0.08	0.2	0.44	0.8	1.24	1.8	2.55	3.8	—	84
EJM 20-	0.45	107	0	0.04	0.12	0.23	0.41	0.65	0.93	1.33	2.03	—	84

EJM Vacuum flow rate of different vacuum degrees (-kpa) (NL/min)



Vacuum Degree: -kPa

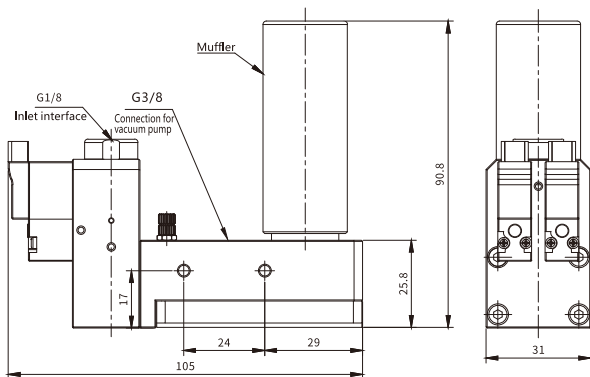
EJM Suction Time of Different Vacuum Degrees (-kPa)



Vacuum Degree: -kPa

## Main Dimension

EJM10-D-



EJM20-D-

