

EVSH Series 3/2 way Pressure Relief Valve

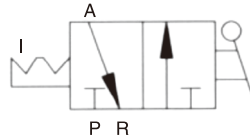


EVSH

Pressure Relief Valve (3/2)



EVSH



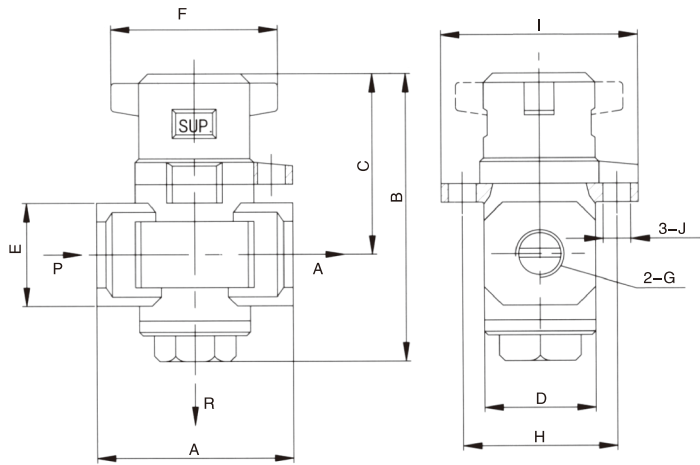
How to Order?

Series No.	Body Size	Port Size	Thread Type
EVSH Series	2000: 2000 Body	01: 1/8"	Blank: G P: PT T: NPT
		02: 1/4"	
	3000: 3000 Body	02: 1/4"	
		03: 3/8"	
4000: 4000 Body	03: 3/8"		
	04: 1/2"		

Order Example:

EVSH series 3/2 way check valve, 2000 body size, 1/4" port size, PT thread, ERP code is: EVSH2000-02-P

Main Dimension



Model	G	Exhaust port	A	B	C	D	E	F	H	I	J
EVSH2000-01	1/8	1/8	40	59	39	28	22	40	32	41	Φ6
EVSH2000-02	1/4	1/8	40	59	39	28	22	40	32	41	Φ6
EVSH3000-02	1/4	1/4	53	78	49	30	28	45	41.5	53	Φ7.5
EVSH3000-03	3/8	1/4	53	78	49	30	28	45	41.5	53	Φ7.5
EVSH4000-03	3/8	3/8	70	84	52	36	36	45	41.5	53	Φ7.5
EVSH4000-04	1/2	3/8	70	84	52	36	36	45	41.5	53	Φ7.5