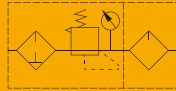


AEFC/BEFC Series Air Preparation Unit



AEFC/BEFC

FR.L



How to Order?

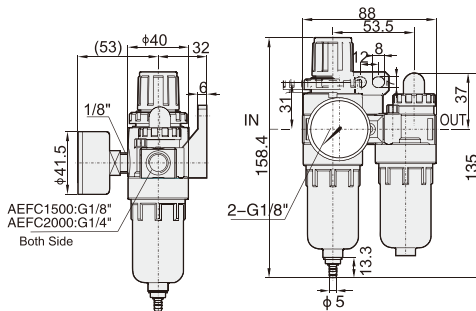
Series No.	Type Code	Body Size	Pressure Gauge Code	Bracket Code	Scale Unit	Thread Type
AE: Small body size without bowl guard BE: Larger body size with bowl guard	FC: Filter & Regulator +lubricator	2000: 1/4" 3000: 3/8" 4000: 1/2"	Blank: With pressure gauge N: Without pressure gauge	Blank: With bracket J: Without bracket	4: Mpa/Psi(Default) 5: Bar/Psi	Blank: G P: PT T: NPT

Order Example:

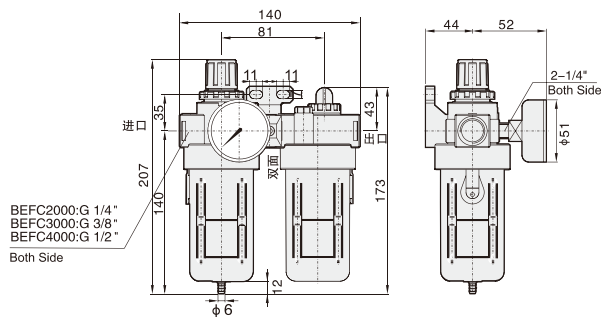
AE series two units, 2000 body size, with gauge, with bracket, Mpa/Psi pressure scale unit, PT thread, ERP code is: AEFC2000-4-P

Main Dimension

AEFC2000



BEFC2000-4000



Specifications

Model	AEFC2000	BEFC2000	BEFC3000	BEFC4000	
Working medium	Air				
Port size	G1/4	G1/4	G3/8	G1/2	
Filtering precision	40 μm (5, 40 μm is optional)				
Adjusting pressure range (MPa)	0.15~0.85				
Max. adjusting pressure (MPa)	1.0				
Guaranteed pressure (MPa)	1.5				
Working temperature(°C)	5~60				
Filter bowl capacity (CC)	15		60		
Lubricator bowl capacity (CC)	25		90		
Recommend oil	ISO VG32 or equivalent oil				
Weight (g)	500		700		
Components	Filter.Regulator	AEFR2000	BEEF2000	BEFR3000	BEFR4000
	Lubricator	AEL2000	BEL2000	BEL3000	BEL4000