

EGP130-S-E Vacuum Gripper(External Vacuum Source)

EGP130-S-E

Vacuum Gripper(External Vacuum Source)



Product Features

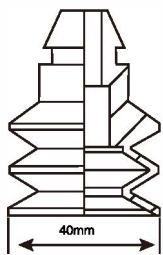
- Suitable for different industry products grabbing, meet various specifications.
- Flexible selection of standard or customized gripper, suction of different sizes can be freely combined and used.
- Optional self-closing valve technology can solve workpieces with large vacuum leakage, uneven surface, different sizes and geometric shapes.
- Vacuum source can be connected to an external vacuum generator, suitable for using with electrically driven vacuum devices (blowers or vacuum pumps).
- Modular design for easy maintenance.
- The interface is reserved, functional components can be directly added to the gripper, optimize the process, environmental protection and energy saving.
- The material is aluminum alloy, factory plastic and carbon fiber composite material, which has the characteristics of high strength and light weight.
- Easy to install, with T-type removable mounting slider, available for fixing grippers as well as for mounting or mounting sensors.
- Rubber gasket accessory for quick replacement.

How to Order?

Series No.	Gripper Width	Gripper Length	Valve Technology	Suction-hole Type	Gripper Diameter Type	Vacuum Source
	130:130mm		V:Self-closing valve L:Flow valve S:High-speed valve		S40: Gripper diameter 40mm S20: Gripper diameter 20mm	E: Connection interface for external vacuum generator
EGP: Vacuum gripper	295:295mm 434:434mm 572:572mm 711:711mm 849:849mm	988:988mm 1126:1126mm 1403:1403mm 1542:1542mm		3:Three rows embedded module 5:Five rows embedded module		

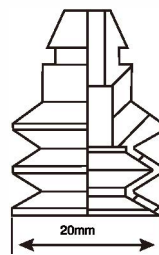
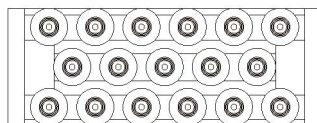
Order Example: EGP series vacuum gripper, gripper width 130mm, gripper length 1265mm, self-closing valve, three rows embedded module, gripper diameter 40mm, connection interface for external vacuum generator. EPR code is:EGP130-1265V-3S40-E

Gripper Accessory Series No.



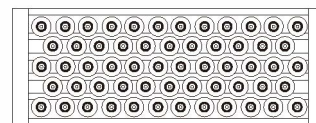
Gripper Accessory Series No: S40

Gripper diameter 40MM
Gripper uses 3 rows
Suction-hole Type:3



Gripper Accessory Series No: S20

Gripper diameter 20MM
Gripper uses 5 rows
Suction-hole Type:5



EGP130-S-E Vacuum Gripper(External Vacuum Source)



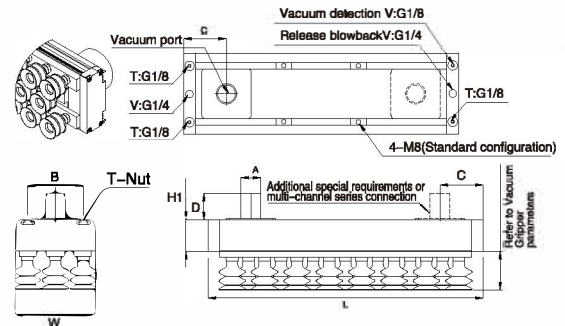
Performance Parameter

Model	Suction-hole Type	Gripper Type	Gripper Number	Required Pumping Volume (L/min)	Vacuum Degree (kPa)	Suction Force N(-40kPa)	Weight (kg)
EGP130-295V-3S40-E	3	S40	17	150	-40	296	2.8
EGP130-434V-3S40-E	3	S40	26	300	-40	452	3.6
EGP130-572V-3S40-E	3	S40	35	400	-40	608	4.3
EGP130-711V-3S40-E	3	S40	44	510	-40	765	5.1
EGP130-849V-3S40-E	3	S40	53	600	-40	921	6
EGP130-988V-3S40-E	3	S40	62	750	-40	1078	7
EGP130-1126V-3S40-E	3	S40	71	850	-40	1234	7.7
EGP130-1265V-3S40-E	3	S40	80	950	-40	1391	8.5
EGP130-1403V-3S40-E	3	S40	89	1050	-40	1547	9.3
EGP130-1542V-3S40-E	3	S40	98	1200	-40	1704	10.1
EGP130-295V-5S20-E	5	S20	53	150	-40	277	2.8
EGP130-434V-5S20-E	5	S20	83	300	-40	434	3.6
EGP130-572V-5S20-E	5	S20	113	400	-40	591	4.3
EGP130-711V-5S20-E	5	S20	143	510	-40	747	5.1
EGP130-849V-5S20-E	5	S20	173	600	-40	904	6
EGP130-988V-5S20-E	5	S20	203	750	-40	1061	7
EGP130-1126V-5S20-E	5	S20	233	850	-40	1218	7.7
EGP130-1265V-5S20-E	5	S20	263	950	-40	1375	8.5
EGP130-1403V-5S20-E	5	S20	293	1050	-40	1531	9.3
EGP130-1542V-5S20-E	5	S20	323	1250	-40	1688	10.1

Main Dimension

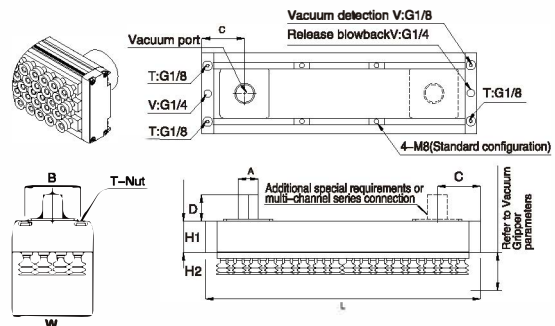
Dimension: [mm]

Model	A	B	C	D	H1	W	L
EGP130-295V-3S40-E	60(32)	90	69	54	50	130	295
EGP130-434V-3S40-E	60(32)	90	69	54	50	130	434
EGP130-572V-3S40-E	60(32)	90	69	54	50	130	572
EGP130-711V-3S40-E	60(32)	90	69	54	50	130	711
EGP130-849V-3S40-E	60(32)	90	69	54	50	130	849
EGP130-988V-3S40-E	60(32)	90	69	54	50	130	988
EGP130-1126V-3S40-E	60(32)	90	69	54	50	130	1126
EGP130-1265V-3S40-E	60(32)	90	69	54	50	130	1265
EGP130-1403V-3S40-E	60(32)	90	69	54	50	130	1403
EGP130-1542V-3S40-E	60(32)	90	69	54	50	130	1542



Dimension: [mm]

Model	A	B	C	D	H1	W	L
EGP130-295V-5S20-E	60(32)	90	69	54	50	130	295
EGP130-434V-5S20-E	60(32)	90	69	54	50	130	434
EGP130-572V-5S20-E	60(32)	90	69	54	50	130	572
EGP130-711V-5S20-E	60(32)	90	69	54	50	130	711
EGP130-849V-5S20-E	60(32)	90	69	54	50	130	849
EGP130-988V-5S20-E	60(32)	90	69	54	50	130	988
EGP130-1126V-5S20-E	60(32)	90	69	54	50	130	1126
EGP130-1265V-5S20-E	60(32)	90	69	54	50	130	1265
EGP130-1403V-5S20-E	60(32)	90	69	54	50	130	1403
EGP130-1542V-5S20-E	60(32)	90	69	54	50	130	1542



EGP130-S-E