

E Series Air Preparation Unit



How to Order?

Series No.	Type Code	Body Size	Combination QTY	Port Size	Drain Type	Pressure Gauge Code	Bracket Code	Scale Unit	Filter Precision	Thread Type					
E: Round gauge series			10: Two units (Regulator+Lubricator) 00: Others	Blank: Manual drain type C: Semi-auto drain D: Auto Drain type	Blank: With pressure gauge N: No pressure gauge	Blank: With bracket J: No bracket	Blank: 25 µm 5M: 5 µm	Blank: G P: PT T: NPT							
C: Filter+regulator+lubricator	10: 1000 body	20: 2000 body	30: 3000 body	40: 4000 body	50: 5000 body	1000 M5: M5	4000 O3: 3/8"	2000 O1: 1/8"	04: 1/2"	06: 3/4"	3000 O2: 1/4"	5000 O6: 3/4"	02: 1/4"	03: 3/8"	10: 1"

Order Example:

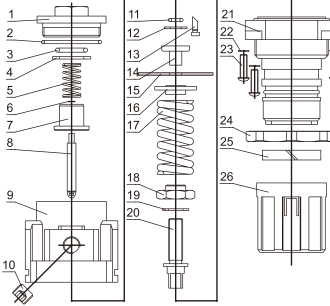
E series regulator, 2000 body size, 1/8 port size, with pressure gauge, with bracket, scale unit is Mpa/Psi, G thread, ERP code is: ER2000-01 4

Note: 2000 Series is optional for manual /auto drain type;

Standard 3000/4000/5000 Series are optional for manual/semi-auto/semi-auto integrated drain type.

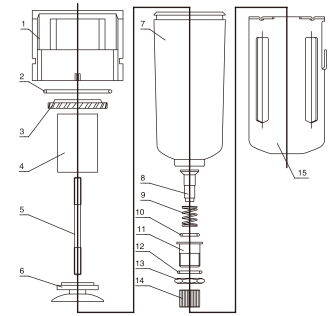
Air Preparation Unit Kits

ER



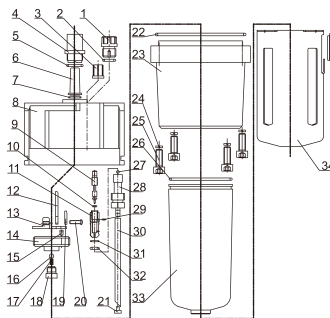
NO.	NAME	QTY	MATERIAL
26	Regulate handle	1	Reinforce nylon
25	Symbol ring	1	Reinforce nylon
24	Nut	1	Reinforce nylon
23	Cross screw	4	Carbon steel
22	Spring washer	4	Carbon steel
21	Valve cover	1	Reinforce nylon
20	Regulate bolt	1	Carbon steel
19	Washer	1	POM
18	Regulate Nut	1	Carbon steel
17	Spring	1	Carbon steel
16	Spring seat	1	Carbon steel
15	Diaphragm	1	NBR
14	Diaphragm seat	1	Brass
13	Pipe	1	POM
12	Retainer ring	1	Carbon steel
11	O-ring	1	NBR
10	Plug	1	Carbon steel
9	Valve body	1	Aluminum
8	Spool	1	Brass+NBR
7	Valve core	1	Brass
6	Retainer ring	1	Carbon steel
5	Spring	1	Stainless steel
4	Washer	1	Carbon steel
3	O-ring	1	NBR
2	O-ring	1	NBR
1	Regulator seat	1	ZZnAl-1

EF



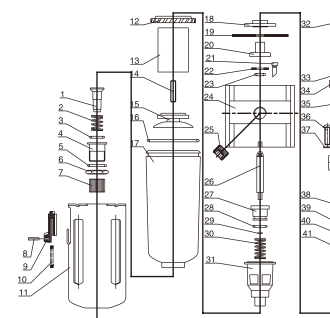
NO.	NAME	QTY	MATERIAL
18	Lock	1	ABS
17	Pin	1	ABS
16	Spring	1	Stainless steel
15	Metal bowl	1	Carbon steel
14	Nut	1	Cu
13	Hex Nut	1	Cu
12	O-ring	1	NBR
11	Drain valve	1	Cu
10	O-ring	1	NBR
9	Spring	1	Stainless steel
8	Valve core	1	Cu
7	Water cup	1	Polycarbonate
6	Drain board	1	ABS
5	Bolt	1	Carbon steel
4	Filter element	1	Cu
3	Blade	1	ABS
2	O-ring	1	NBR
1	Regulator body	1	Aluminum

EL



NO.	NAME	QTY	MATERIAL
37	Lock	1	ABS
36	Pin	1	ABS
35	Spring	1	Stainless steel
34	Bowl guard	1	Carbon steel
33	Oil cup	1	Polycarbonate
32	O-ring	1	NBR
31	O-ring	1	NBR
30	Oil tube	1	PU
29	Pin	1	Carbon steel
28	Fitting	1	POM
27	Steel ball	1	Carbon steel
26	O-ring	1	NBR
25	Hex screw	4	Carbon steel
24	Spring washer	4	Carbon steel
23	Middle part	1	Aluminum
22	O-ring	1	NBR
21	Filter element	1	Brass
20	Screw	2	Carbon steel
19	Reed seat board	1	ZZnAl-1
18	Reed	1	Polycarbonate
17	Oil regulate valve seat	1	Brass
16	O-ring	1	NBR
15	Small hole seat	1	Brass
14	Bracket	1	ZZnAl-1
13	Reed seat	1	ZZnAl-1
12	Reed	1	Polycarbonate
11	Oil regulate valve seat	1	Brass
10	O-ring	1	NBR
9	Regulate needle	1	Brass
8	Lubricator body	1	Aluminum
7	O-ring	1	NBR
6	Oil drop tube	1	Polycarbonate
5	O-ring	1	NBR
4	O-ring	1	NBR
3	Oil regulate screw	1	ABS
2	O-ring	1	NBR
1	Plug	1	ABS

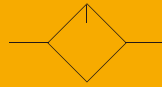
EW



NO.	NAME	QTY	MATERIAL
41	Spring	1	Carbon steel
40	Regulate Nut	1	Carbon steel
39	Washer	1	POM
38	Regulate Bolt	1	Carbon steel
37	Spring washer	4	Carbon steel
36	Cross screw	4	Carbon steel
35	Valve cover	1	Reinforce nylon
34	Nut	1	Reinforce nylon
33	Symbol ring	1	Reinforce nylon
32	Regulate handle	1	Reinforce nylon
31	Overflow valve seat	1	ZZnAl-1
30	Spring	1	Stainless steel
29	Retainer ring	1	Carbon steel
28	O-ring	1	NBR
27	Valve core	1	Brass
26	Spool	1	Brass + NBR
25	Plug	1	Carbon steel
24	Regulator Body	1	Aluminum
23	O-ring	1	NBR
22	Retainer ring	1	Carbon steel
21	Pipe	1	POM
20	Diaphragm seat	1	Brass
19	Diaphragm	1	NBR
18	Diaphragm Pallet	1	Carbon steel
17	Water cup	1	Polycarbonate
16	O-ring	1	NBR
15	Drain board	1	ABS
14	Filter element	1	Carbon steel
13	Filter element	1	Brass
12	Whirlwind blade	1	ABS
11	Bowl guard	1	Carbon steel
10	Spring	1	Stainless steel
9	Lock	1	ABS
8	Pin	1	ABS
7	Nut	1	Brass
6	Hex Nut	1	Brass
5	O-ring	1	NBR
4	Drain valve	1	Stainless steel
3	O-ring	1	NBR
2	Spring	1	Stainless steel
1	Valve core	1	Brass

EL

Lubricator



Specifications

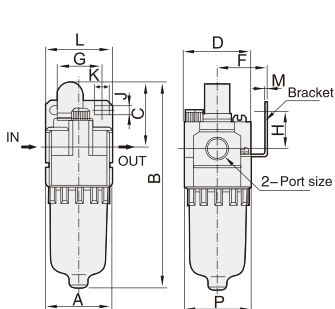
Model	EL1000	EL2000	EL3000	EL4000	EL5000
Proof pressure(MPa)				1.5	
Max. working pressure(MPa)				1.0	
Working temperature(°C)	-5~60 (No freezing)				
Filter precision	25 μm (5 μm is optional)				
Bowl material	Polycarbonate				
Bowl guard	None		Available		
Pressure adjusting range (MPa)				0.15~1.0	

Model	Specifications					Accessories
	Minimal flow of oil drop (L/min)	*Rated flow(L/min)	** Port size (G)	Bowl capacity (CM ³)	Weight (kg)	Bracket
EL1000-M5	4	95	M5	7	0.07	-
EL2000-01	15	1300	1/8	25	0.22	B240
EL2000-02		1345	1/4			
EL3000-02	30	2310	1/4	50	0.50	B340
EL3000-03	40	2375	3/8			
EL4000-03	40	5321	3/8	130	0.56	B440
EL4000-04	50	5532	1/2			
EL4000-06	50	6700	3/4	130	0.58	B540
EL5000-06	190	7700	3/4	130	1.08	B640
EL5000-10		8000	1			

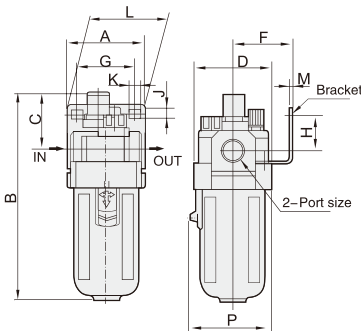
- * The above information is based on 6.3 Bar supply pressure,the flow of oil drop is 2-3 drops/min,the temperature of Turbine No.1 oil is 20° C
- * The above information is based on 6.3 Bar supply pressure and 1.0 Bar step down
- * NPT,PT port size is optional

Main Dimension

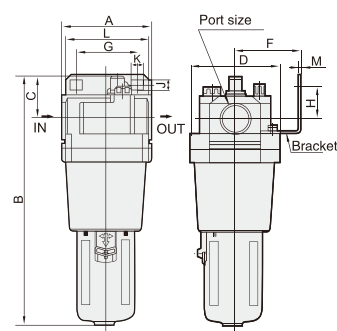
EL1000-EL2000



EL3000-EL4000



EL5000



Model	Port Size (G)	A	B	C	D	F	G	H	J	K	L	M	P
EL1000	M5	25	81.5	25.5	25	-	-	-	-	-	-	-	27
EL2000	1/8"-1/4"	40	115	37.5	40	31	19	14	17	6.8	40	2	40
EL3000	1/4"-3/8"	53	141	39	53	41	40	23	6.5	8	53	2	56
EL4000	3/8"-1/2"	70	175	40	70	53	54	26	8.5	10.5	70	2	73
EL4000-06	3/4"	75	177	39	70	50	54	26	8.5	10.5	70	2	73
EL5000	3/4"-1"	90	254	45.5	90	67	66	35	11	13	90	3	90