

How to Order?

Series No.	Type Code	Body Size	Combination QTY	Port Size	Drain Type	Pressure Gauge Code	Bracket Code	Scale Unit	Filter Precision	Thread Type
E: Round gauge series			10: Two units (Regulator+Lubricator) 00: Others		Blank: Manual drain type C: Semi-auto drain D: Auto Drain type	Blank: With pressure gauge N: No pressure gauge	Blank: With bracket J: No bracket	Blank: 25 µm 5M: 5 µm	Blank: 25 µm 5M: 5 µm	Blank: G P: PT T: NPT
C: Filter+regulator+lubricator	10: 1000 body 20: 2000 body 30: 3000 body 40: 4000 body 50: 5000 body			1000 M5: M5 2000 01: 1/8" 02: 1/4" 03: 3/8"	4000 03: 3/8" 04: 1/2" 06: 3/4" 5000 06: 3/4" 10: 1"			4: Mpa/Psi(Default) 5: Bar/Psi		

Order Example:

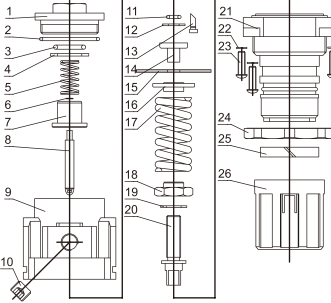
E series regulator, 2000 body size, 1/8 port size, with pressure gauge, with bracket, scale unit is Mpa/Psi, G thread, ERP code is: ER2000-01 4

Note: 2000 Series is optional for manual /auto drain type;

Standard 3000/4000/5000 Series are optional for manual/semi-auto/semi-auto integrated drain type.

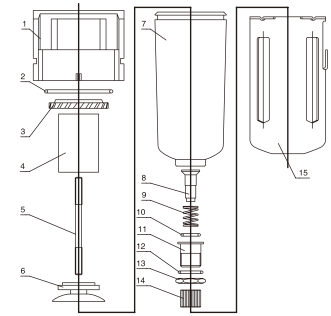
Air Preparation Unit Kits

ER



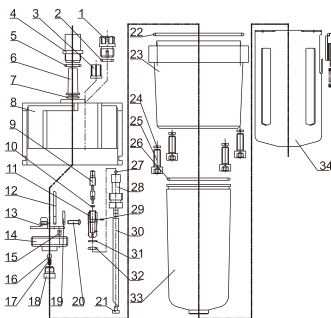
NO.	NAME	QTY	MATERIAL
26	Regulate handle	1	Reinforce nylon
25	Symbol ring	1	Reinforce nylon
24	Nut	1	Reinforce nylon
23	Cross screw	4	Carbon steel
22	Spring washer	4	Carbon steel
21	Valve cover	1	Reinforce nylon
20	Regulate bolt	1	Carbon steel
19	Washer	1	POM
18	Regulate Nut	1	Carbon steel
17	Spring	1	Carbon steel
16	Spring seat	1	Carbon steel
15	Diaphragm	1	NBR
14	Diaphragm seat	1	Brass
13	Pipe	1	POM
12	Retainer ring	1	Carbon steel
11	O-ring	1	NBR
10	Plug	1	Carbon steel
9	Valve body	1	Aluminum
8	Spool	1	Brass+NBR
7	Valve core	1	Brass
6	Retainer ring	1	Carbon steel
5	Spring	1	Stainless steel
4	Washer	1	Carbon steel
3	O-ring	1	NBR
2	O-ring	1	NBR
1	Regulator seat	1	ZZnAl-1

EF



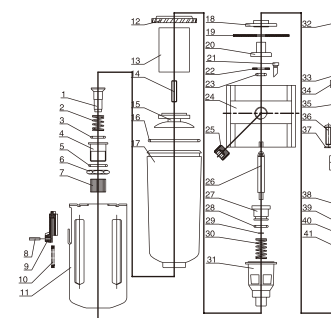
NO.	NAME	QTY	MATERIAL
18	Lock	1	ABS
17	Pin	1	ABS
16	Spring	1	Stainless steel
15	Metal bowl	1	Carbon steel
14	Nut	1	Cu
13	Hex Nut	1	Cu
12	O-ring	1	NBR
11	Drain valve	1	Cu
10	O-ring	1	NBR
9	Spring	1	Stainless steel
8	Valve core	1	Cu
7	Water cup	1	Polycarbonate
6	Drain board	1	ABS
5	Bolt	1	Carbon steel
4	Filter element	1	Cu
3	Blade	1	ABS
2	O-ring	1	NBR
1	Regulator body	1	Aluminum

EL



NO.	NAME	QTY	MATERIAL
37	Lock	1	ABS
36	Pin	1	ABS
35	Spring	1	Stainless steel
34	Bowl guard	1	Carbon steel
33	Oil cup	1	Polycarbonate
32	O-ring	1	NBR
31	O-ring	1	NBR
30	Oil tube	1	PU
29	Pin	1	Carbon steel
28	Fitting	1	POM
27	Steel ball	1	Carbon steel
26	O-ring	1	NBR
25	Hex screw	4	Carbon steel
24	Spring washer	4	Carbon steel
23	Middle part	1	Aluminum
22	O-ring	1	NBR
21	Filter element	1	Brass
20	Screw	2	Carbon steel
19	Reed seat board	1	ZZnAl-1
18	One way valve plate	1	Cu
17	Spring	1	Stainless steel
16	Steel ball	1	Carbon steel
15	Small hole seat	1	Brass
14	Bracket	1	ZZnAl-1
13	Reed seat	1	ZZnAl-1
12	Reed	1	Polycarbonate
11	Oil regulate valve seat	1	Brass
10	O-ring	1	NBR
9	Regulate needle	1	Brass
8	Lubricator body	1	Aluminum
7	O-ring	1	NBR
6	Oil drop tube	1	Polycarbonate
5	O-ring	1	NBR
4	Oil window	1	Polycarbonate
3	Oil regulate screw	1	ABS
2	O-ring	1	NBR
1	Plug	1	ABS

EW

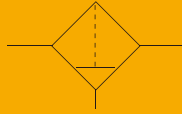


NO.	NAME	QTY	MATERIAL
41	Spring	1	Carbon steel
40	Regulate Nut	1	Carbon steel
39	Washer	1	POM
38	Regulate Bolt	1	Carbon steel
37	Spring washer	4	Carbon steel
36	Cross screw	4	Carbon steel
35	Valve cover	1	Reinforce nylon
34	Nut	1	Reinforce nylon
33	Symbol ring	1	Reinforce nylon
32	Regulate handle	1	Reinforce nylon
31	Overflow valve seat	1	ZZnAl-1
30	Spring	1	Stainless steel
29	Retainer ring	1	Carbon steel
28	O-ring	1	NBR
27	Valve core	1	Brass
26	Spool	1	Brass + NBR
25	Plug	1	Carbon steel
24	Regulator Body	1	Aluminum
23	O-ring	1	NBR
22	Retainer ring	1	Carbon steel
21	Pipe	1	POM
20	Diaphragm seat	1	Brass
19	Diaphragm	1	NBR
18	Diaphragm Pallet	1	Carbon steel
17	Water cup	1	Polycarbonate
16	O-ring	1	NBR
15	Drain board	1	ABS
14	Filter element	1	Carbon steel
13	Filter element	1	Brass
12	Whirling blade	1	ABS
11	Bowl guard	1	Carbon steel
10	Spring	1	Stainless steel
9	Lock	1	ABS
8	Pin	1	ABS
7	Nut	1	Brass
6	Hex Nut	1	Brass
5	O-ring	1	NBR
4	Drain valve	1	Stainless steel
3	O-ring	1	NBR
2	Spring	1	Stainless steel
1	Valve core	1	Brass

EF Series Air Preparation Unit



EF Filter



Specifications

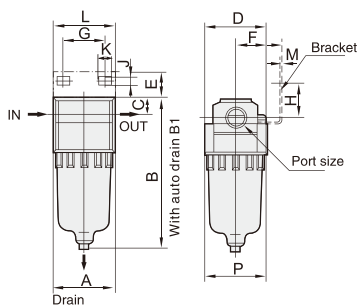
Model	EF1000	EF2000	EF3000	EF4000	EF5000
Proof pressure(MPa)	1.5				
Max. working pressure(MPa)	1.0				
Working temperature(°C)	-5~60 (No freezing)				
Filter precision	25 μm (5 μm is optional)				
Bowl material	Polycarbonate				
Bowl guard	None		Available		
Pressure adjusting range(MPa)	0.15~1.0				

Model	Specifications				Accessories	Drain function	Auto drain model
	*Rated flow (L/min)	** Port size (G)	Bowl capacity (CM ³)	Weight (kg)	Bracket		
EF1000-M5	110	M5	4	0.07	-	Manual drain	EF2000-01D EF2000-02D
EF2000-01	1222	1/8	15	0.19	B240		
EF2000-02	1278	1/4					
EF3000-02	2006	1/4	20	0.29	B340	a. Zero pressure drain b. Manual drain	EF3000-02D EF3000-03D
EF3000-03	2148	3/8					
EF4000-03	5120	3/8	45	0.55	B440		
EF4000-04	5430	1/2					
EF4000-06	7680	3/4	45	0.58	B540		
EF5000-06	8200	3/4					
EF5000-10	8500	1	130	1.08	B640		EF4000-04D EF4000-06D EF5000-06D EF5000-10D

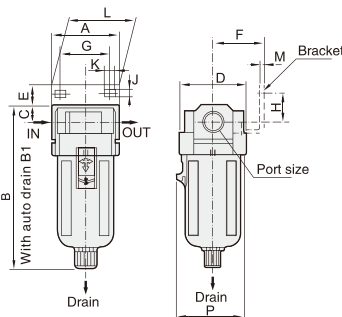
* The above information is based on 6.3 Bar supply pressure and 1.0 Bar set pressure * NPT,PT port size is optional

Main Dimension

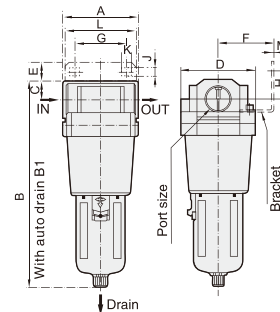
EF1000-EF2000



EF3000-EF4000



EF5000



Model	Port Size (G)	A	B	B1	C	D	E	F	G	H	J	K	L	M	P
EF1000	M5	25	66	-	7	25	-	-	-	-	-	-	-	-	26.5
EF2000	1/8"-1/4"	40	96.5	134.5	11	40	25	31	19	14	17	6.8	40	2	40
EF3000	1/4"-3/8"	53	132.5	145	14	53	15	41.5	40	22	6.5	8	53	2	56
EF4000	3/8"-1/2"	70	168	171.5	18	70	18	53	54	27	8.5	10.5	70	2	73
EF4000-06	3/4"	75	172.5	175.5	20	70	14	50	54	25	8.5	10.5	70	2	73
EF5000	3/4"-1"	90	246	250	24	90	23	67	66	35	11	13	90	3	90