

EI Series Air Preparation Unit



How to Order?

Series No.	Type Code	Body Size	Combination QTY	Port Size	Drain Type	Pressure Gauge Code	Bracket Code	Scale Unit	Filter Precision	Thread Type
EI: Square gauge series	C: Filter+regulator+lubricator W: Filter+regulator F: Filter R: Regulator L: Lubricator	20: 2000 body 30: 3000 body 40: 4000 body 50: 5000 body	10: Two units (Regulator+Lubricator) 00: Others 2000 01: 1/8" 02: 1/4" 3000 02: 1/4" 03: 3/8"	4000 04: 1/2" 5000 06: 3/4" 10: 1"	Blank: Manual drain type C: Semi-auto drain D: Auto Drain type	Blank: With pressure gauge N: No pressure gauge	Blank: With bracket J: No bracket	1: Mpa 2: Bar *3: Psi (*Need special made)	Blank: 25 μm 5M: 5 μm	Blank: G P: PT T: NPT

Order Example:

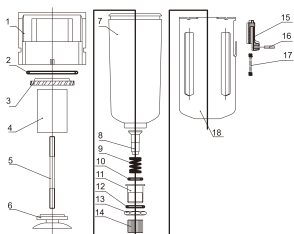
EI series regulator, 2000 body size, 1/8 port size, with pressure gauge, Mpa pressure unit, G thread, ERP code is: EIR2000-01 1

Note: 1) 2000 series is optional for manual /auto drain type;

Standard 3000/4000/5000 series are optional for manual/semi-auto/semi-auto integrated drain type.

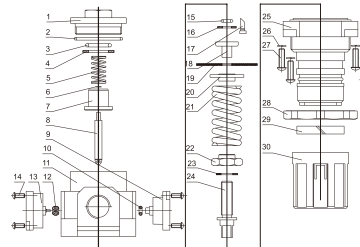
Air Preparation Unit Kits

EIF3000



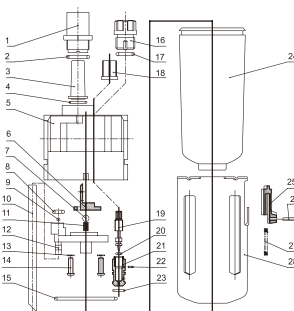
NO.	NAME	QTY	MATERIAL
18	Lock	1	ABS
17	Pin	1	ABS
16	Spring	1	Stainless steel
15	Metal bowl	1	Steel plate
14	Nut	1	HPb59-1
13	Hexagon Nut	1	HPb59-1
12	O-ring	1	NBR
11	Drain valve seat	1	HPb59-1
10	O-ring	1	NBR
9	Spring	1	Stainless steel
8	Drain valve core	1	HPb59-1
7	Water cup	1	HPb59-1
6	Drain board	1	ABS
5	Cross bolt	1	Carbon steel
4	Filter element	1	Cu
3	Blade	1	ABS
2	O-ring	1	NBR
1	Filter body	1	ADC12

EIR3000



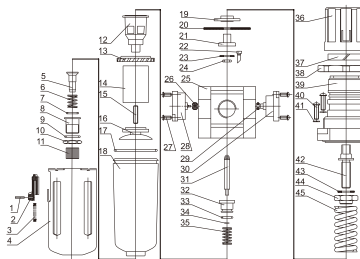
NO.	NAME	QTY	MATERIAL
30	Regulate handle	1	Reinforce nylon
29	Symbol ring	1	Reinforce nylon
28	plastic combination	1	POM
27	Cross screw	4	Carbon steel
26	Spring washer	4	Carbon steel
25	Regulator Body	1	Aluminum
24	Regulate bolt	1	Carbon steel
23	Washer	1	POM
22	Regulate Nut	1	Carbon steel
21	Spring	1	Stainless steel
20	Diaphragm-Pinjet	1	Carbon steel
19	Diaphragm	1	NBR
18	Diaphragm seal	1	Brass
17	Pipe	1	POM
16	Retainer ring	1	Steel plate
15	O-ring	1	NBR
14	Cross screw	4	Carbon steel
13	Plastic connection	1	POM
12	Seal	1	NBR
11	Regulator body	1	Aluminum
10	Seal	1	NBR
9	Connection	1	ADC12
8	Spool	1	Brass+NBR
7	Valve core	1	Brass
6	Retainer ring	1	Steel plate
5	Spring	1	Stainless steel
4	Retainer ring	1	Steel plate
3	O-ring	1	NBR
2	O-ring	1	NBR
1	Regulator seat	1	ZZnAl4-1

EIL3000



NO.	NAME	QTY	MATERIAL
28	Oil cup	1	Polycarbonate
27	Lock	1	ABS
26	Pin	1	ABS
25	Spring	1	Stainless steel
24	Metal bowl	1	Steel plate
23	O-ring	1	NBR
22	Pin	1	Q235
21	Oil regulate seal	1	HPb59-1
20	O-ring	1	NBR
19	Oil regulate needle	1	HPb59-1
18	Oil regulate porrier	1	ABS
17	O-ring	1	NBR
16	Plug	1	ABS
15	O-ring	1	NBR
14	Cross screw	2	Q235
13	Spring washer	2	65Mn
12	One way valve plate	1	POM
11	Spring	1	Stainless steel
10	Pipe	1	PUI tube
9	Steel ball	1	Q235
8	O-ring	1	NBR
7	Steel ball	1	Q235
6	Reed	1	Polycarbonate
5	Lubricator body	1	ADC12
4	O-ring	1	NBR
3	Oil drop tube	1	Polycarbonate
2	O-ring	1	NBR
1	Oil window	1	Polycarbonate

EIW3000



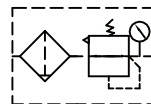
NO.	NAME	QTY	MATERIAL
45	Spring	1	Carbon steel
44	Regulate nut	1	Carbon steel
43	Washer	1	POM
42	Regulate bolt	1	Carbon steel
41	Spring washer	4	Carbon steel
40	Cross screw	4	Carbon steel
39	Valve cover	1	Reinforce nylon
38	Nut	1	Reinforce nylon
37	Symbol ring	1	Reinforce nylon
36	Regulate handle	1	Reinforce nylon
35	Spring	1	Stainless steel
34	Retainer ring	1	Steel plate
33	O-ring	1	NBR
32	Valve core	1	Brass
31	Spool	1	HPb59-1+NBR
30	connection	1	ADC12
29	Seal	1	NBR
28	Plastic connection	1	POM
27	Cross screw	4	Carbon steel
26	Seal	1	NBR
25	Regulator Body	1	Aluminum
24	O-ring	1	NBR
23	Retainer ring	1	Carbon steel
22	Pipe	1	POM
21	Diaphragm seal	1	Brass
20	Diaphragm	1	NBR
19	Diaphragm Pinjet	1	Carbon steel
18	Water cup	1	Polycarbonate
17	O-ring	1	NBR
16	Drain board	1	ABS
15	Bolt	1	Carbon steel
14	Filter element	1	ABS
13	Whirlwing blade	1	ABS
12	Overbow valve seat	1	ZZnAl4-1
11	Boil guard	1	Carbon steel
10	Spring	1	Stainless steel
9	Lock	1	ABS
8	Pin	1	ABS
7	Nut	1	Brass
6	Hex Nut	1	Brass
5	O-ring	1	NBR
4	Drain valve	1	Brass
3	O-ring	1	NBR
2	Spring	1	Stainless steel
1	Valve core	1	Brass

EIW-K Series Filter Regulator with Backflow Function



EIW-K

Filter regulator with backflow function



How to order?

Series No.	Valve body size	Type code	Port size	Drain Type	Pressure Gauge Code	Bracket code	Scale unit	Filter Precision	Thread type
EIW:Regulator filter with square gauge		K: Backflow type		Blank: Manual drain type C: Semi-auto drain D: Auto Drain type			1: Mpa 2: Bar 3: Psi	Blank: 25 μm 5M: 5 μm	Blank: G P: PT T: NPT
2000:2000 Series 3000:3000 Series 4000:4000 Series 5000:5000 Series		2000	01: 1/8" 02: 1/4"	4000 03: 3/8" 04: 1/2" 06: 3/4"		Blank: With bracket J: Without bracket			
		3000	02: 1/4" 03: 3/8"	5000 06: 3/4" 10: 1"		Blank: With pressure gauge N: Without pressure gauge			

Order Example: Regulator filter with square gauge, 2000 series body, backflow type, 1/4" port, auto drain type, with gauge, with bracket, MPa, filter precision 5 μm, G thread, ERP code is:EIW2000K-02D15M.

- Note:**
1. Backflow type regulator filter must work separately; the knob must be upward, the air should be left port in and right port out.
 2. 2000 series must work in case of knob upward and left port in & right port out. Right port in & left port out is not available currently.
 3. Standard 3000,4000,5000 series with backflow function must conform to above 1st point.If right port in & left port out was requested, EMC can customize it.

Specification

Model	EIW2000K	EIW3000K	EIW4000K	EIW5000K
Working Medium	Clean air(After 40 μm filtration)			
Proof pressure(MPa)	1.5			
Working Pressure Range(MPa)	0.15-1.0			
Pressure Adjustment Range(MPa)	0.05-0.9			
Working temperature(°C)	-5-60 (No freezing)			
Filter precision	25 μm/5 μm optional			
Bowl material	PC(Polycarbonate)			
Bowl guard	None	Available		
Overpressure Exhaust Mechanism	With overflow			

Model	Rated flow(L/min) *	Port size *
EIW2000K-01	1078	1/8"
EIW2000K-02	1165	1/4"
EIW3000K-02	1998	1/4"
EIW3000K-03	2177	3/8"
EIW4000K-03	5108	3/8"
EIW4000K-04	5211	1/2"
EIW4000K-06	5900	3/4"
EIW5000K-06	6200	3/4"
EIW5000K-10	6400	1"

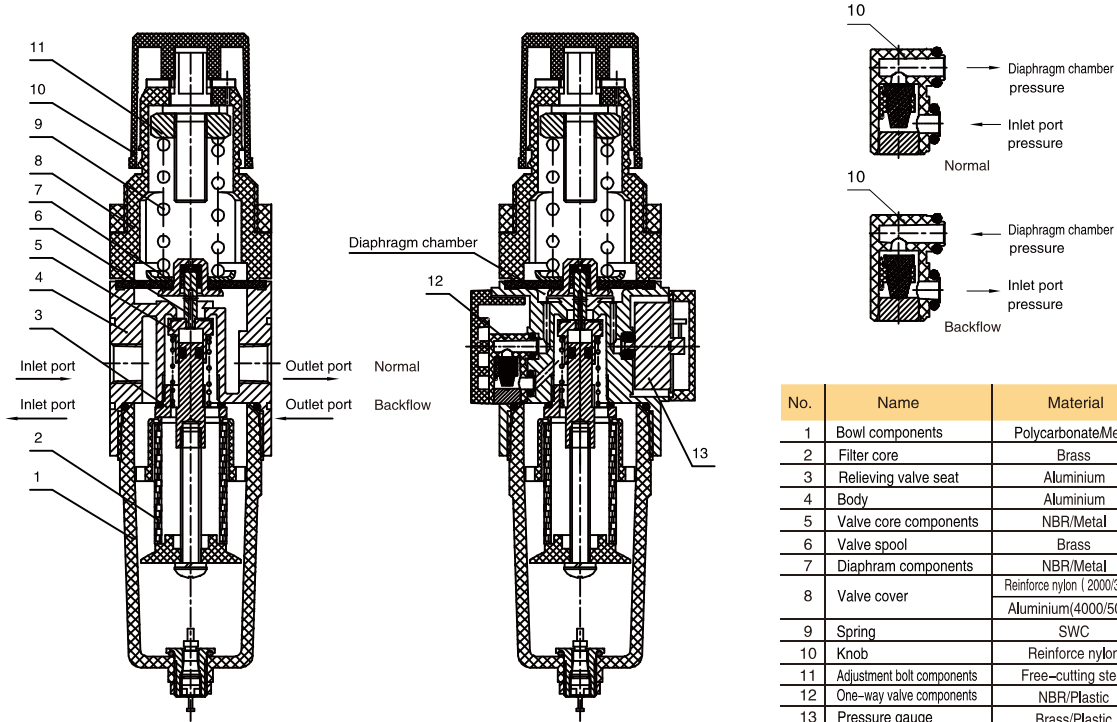
* Supply pressure 8.0Bar, Set pressure 6.3Bar, and pressure difference 1 Bar, testing result shows that standard type and backflow type have same flow rate.
* G, PT, NPT is optional.

EIW-K Series Filter Regulator with Backflow Function

Construction and working principle

Working principle:

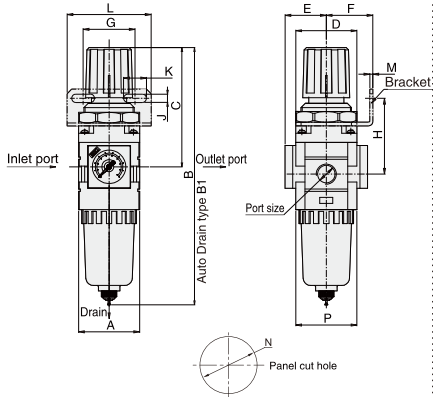
1. When inlet pressure is higher than set pressure, one-way valve 10 closes, it works as a normal regulator.
2. When the inlet pressure blocked, the one-way valve 12 opens, pressure in diaphragm chamber exhausts from the inlet side. When diaphragm chamber pressure goes down, diaphragm is pushed down by the spring force, The valve core will be open by valve rod, pressure at the outlet side exhaust through the inlet side, it works as a regulator with backflow function.



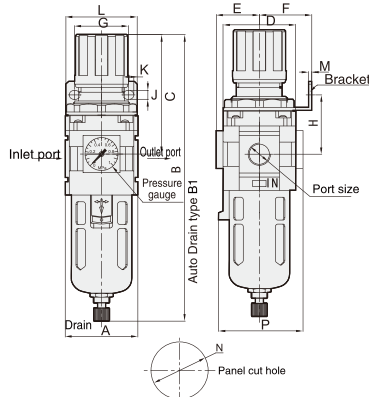
No.	Name	Material
1	Bowl components	Polycarbonate/Metal
2	Filter core	Brass
3	Relieving valve seat	Aluminium
4	Body	Aluminium
5	Valve core components	NBR/Metal
6	Valve spool	Brass
7	Diaphragm components	NBR/Metal
8	Valve cover	Reinforce nylon (2000/3000) Aluminium(4000/5000)
9	Spring	SWC
10	Knob	Reinforce nylon
11	Adjustment bolt components	Free-cutting steel
12	One-way valve components	NBR/Plastic
13	Pressure gauge	Brass/Plastic

Main Dimension

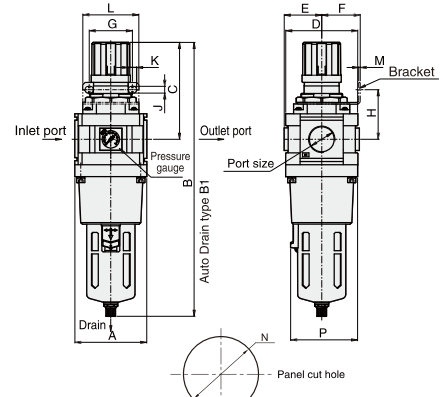
EIW2000K



EIW3000K-EIW4000K



EIW5000K



Model	Port size	A	B	B1	C	D	E	F	G	H	J	K	L	M	N	P
EIW2000K	1/8"-1/4"	40	168.5	205.5	78.5	40	27	30.5	33.5	49.5	5.4	15	55	2	33	40
EIW3000K	1/4"-3/8"	53	210.5	224.5	92	53	31.5	39	40	45.5	6.5	8	53	2	42	63
EIW4000K	3/8"-1/2"	70	264	267	113.5	70	40	48	53.5	54.5	8.5	10.5	70	2	52	73
EIW4000K-06	3/4"	90	343	348	116.5	90	47	48	53.5	62	8.5	10.5	70	2	52	84
EIW5000K	3/4"-1"	90	343	348	116.5	90	47	48	53.5	62	8.5	10.5	70	2	52	84