

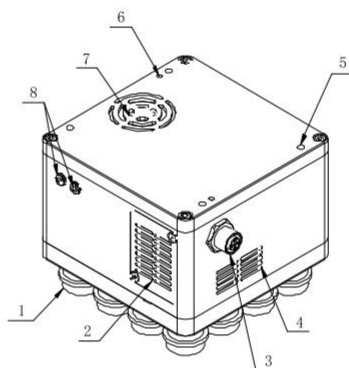
EVD-M

Electric Vacuum Execution unit



Product Features

- Electric vacuum generation, high vacuum, big flow;
- Integrated structure to combine Vacuum, vacuum break and suction pad.;
- Small in size and light in weight, it can be used for various different working conditions, such as the end of a collaborative robotic arm;
- Double mounting holes on the top and side, single cable interface, simple installation and wiring;
- aMainly used in mobile work platform, the end vacuum grab and handling under the condition of no compressed air supply.◦



- 1、 Vacuum pad
- 2、 Cooling air intake window
- 3、 M12-5 core control cable connection port
- 4、 Vent
- 5、 M5 installation hole
- 6、 Pin hole
- 7、 Heat dissipation exhaust window
- 8、 Pilot lamp

How to order?

Series No.	Adsorption plane size	Suction size	Type
EVD: EVD Series	120X120	B20: $\phi 20$ B40: $\phi 40$ M15: Sponge thickness 15(customization)	M: MIDI

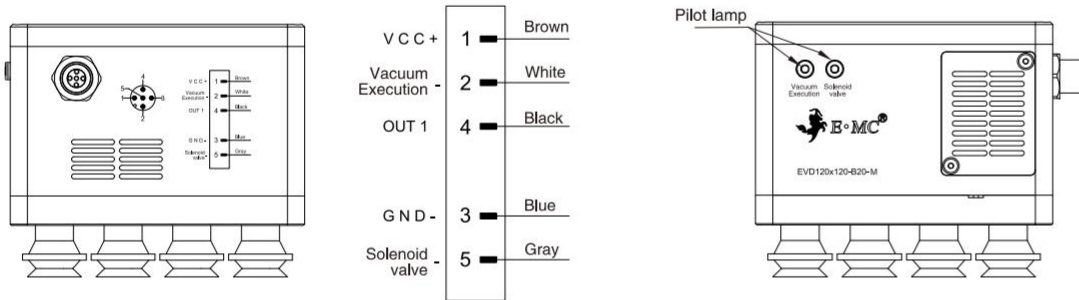
Order example: EVD Electric Vacuum Execution unit, adsorption plane size 120x120, suction pad size B20, MIDI
Order code is EVD120X120-B20-M

Specifications

Working voltage	DC24 \pm 10%V	Working current	2.2A	Peak current	2.6A
MAX Vacuum	-85kPa	Max vacuum flow	45NL/min	Net Weight	1.6kg
B20 Max adsorption capacity	18kg	B40 Max adsorption capacity	25kg	M15 Max adsorption capacity	18kg
Running noise	\leq 73dB(A)	Vacuum setup time(0~60kPa)	0.5s	Vacuum breaking time	0.2s
Protection class	IP40	Ambient temperature and humidity	0 ~ 50°C, < 85%RH	Cable length	2000 \pm 5mm
Pressure sensor	Measuring pressure: 0~-100kPa, Analog output:1-5V, Accuracy: \pm 3%F.S., Repeatability: \pm 0.3% F.S.				

EVD-M

Instructions

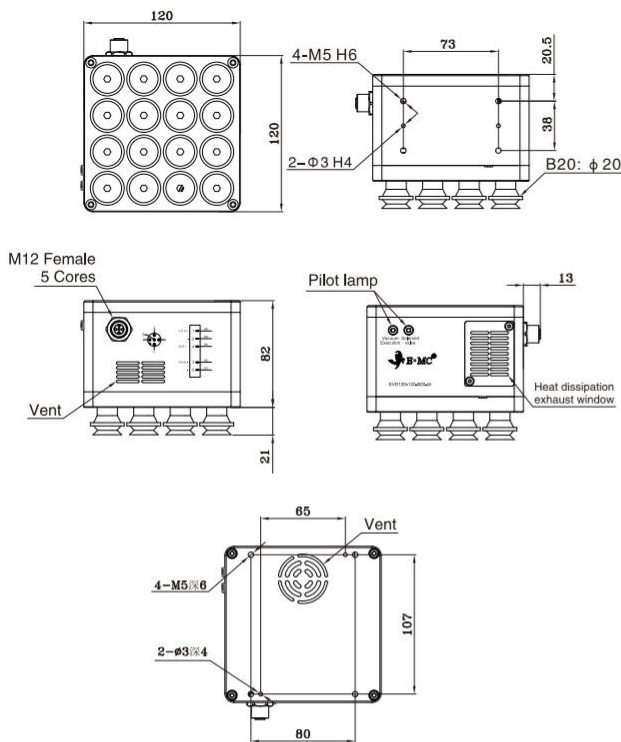


Note:

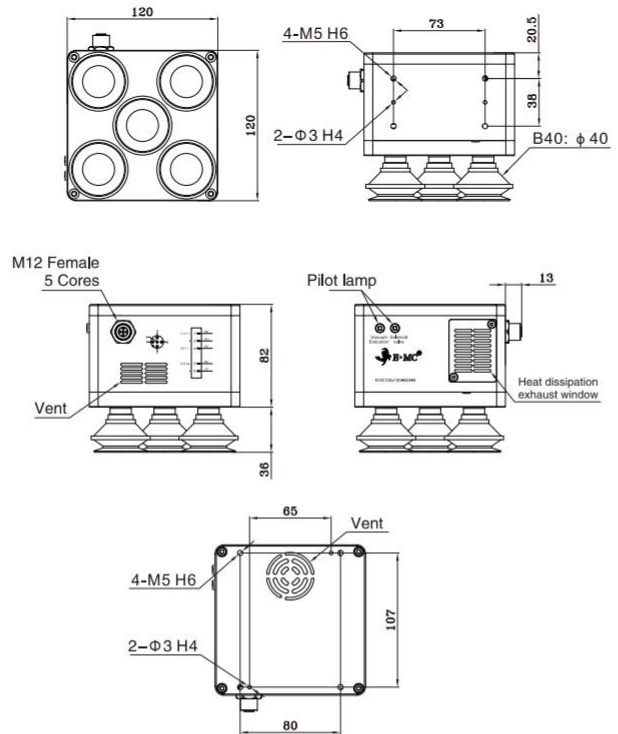
- 1、 This product adopts vacuum adsorptiongrasp, please confirm whether theworkpiece is suitable for this methodbefore use.
It is recommended thathard surface workpieces can be used.
- 2、 Before wiring the product, please payattention to the cable sequence, donot live operation ;
- 3、 To prevent accidents during use, please do not block any ventilation windows;
4. This MIDI model is economical and has no internal backup power supply.

Dimension(mm)

EVD120x120-B20-M



EVD120x120-B40-M

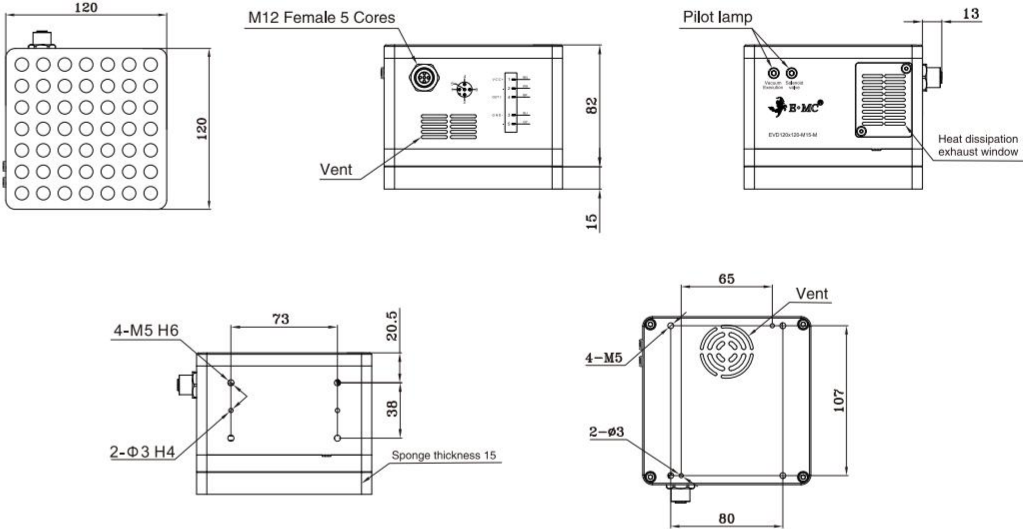


EVD Electric Vacuum Execution Unit



Dimension(mm)

EVD120x120-M15-M



6
EVD-M