

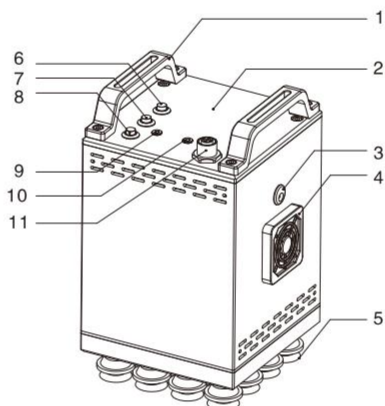
EVD

Electric Vacuum Execution Unit



Product Features

- Electric vacuum generation, high vacuum, big flow.
- Integrated structure to combine Vacuum, vacuum break and suction pad.
- Built-in dual power conversion which can automatically start the built-in backup power supply, to ensure the workpiece not fall in the case of emergencies, the maximum sustainable pressure preservation 60min.
- Manual debugging and automatic control can be switched flexibly, making installation and debugging more convenient.
- Mainly used in mobile work platform, the end vacuum grab and handling under the condition of no compressed air supply.



- 1、Mounting bracket
- 2、Body
- 3、Charging port for Back-up power (standard specific charger)
- 4、Fan
- 5、Rubber suction cup (multi options)
- 6、Button for Backup power
- 7、Button for Break vacuum control (light on means break)
- 8、Button for Main power (light on means power on)
- 9、Vacuum breaking indicator light (light on means vacuum breaking)
- 10、Vacuum working indicator light (light on means open vacuum)
- 11、M12-5 core control cable connection port

How to order?

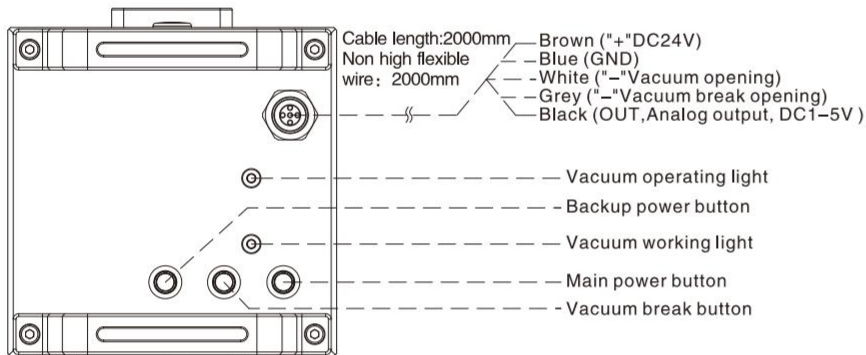
Series No.	Adsorption Plane Size	Suction Size	Backup Power Type
EVD: EVD series	120X120	B20 B40 M (Customization)	UPS: Built-in backup power ER: External backup power

Order Example: EVD series electric vacuum execution unit, adsorption surface size: 120x120; suction cup size :B20; with built-in backup power. The order code is EVD120X120-B20-UPS

Specifications

Working Voltage	Max Vacuum	B20 Max Adsorption Capacity	B40 Max Adsorption Capacity	Running Noise
DC24 ± 10% V	-85 kPa	18kg	25kg	≤ 73 dB (A)
Pressure Sensor				
Measuring pressure: 0--100kPa, Analog output: 1-5V, Accuracy: ± 4%FS, Repeatability: ± 0.3% FS.				
Working current	Max vacuum flow	Ambient temperature and humidity	Vacuum setup time (0--60kPa)	Dual power switch time
2.2A	45 NL/min	0-50 °C, below 85%RH	0.5s	≤ 15ms
Peak current	Net weight	Protection Class	Vacuum breaking time	Cable length
2.6A	2.8kg	IP40	0.2s	2000 ± 5mm

Instructions

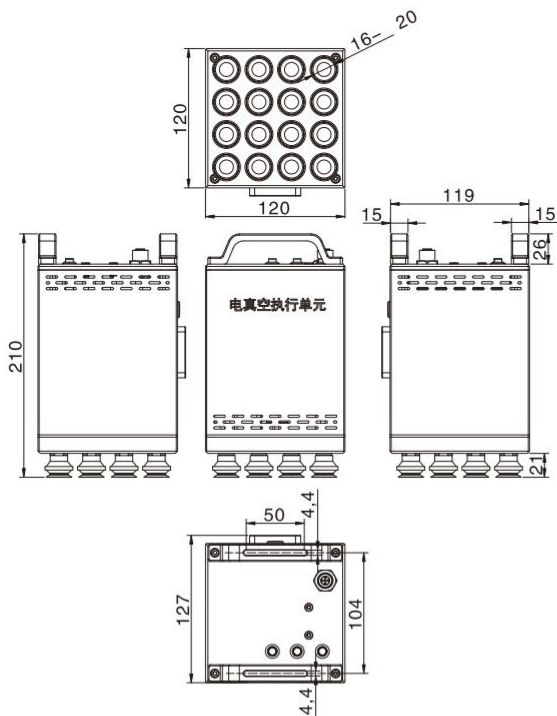


Note:

- 1、 This product adopts vacuum adsorption grasp, please confirm whether the workpiece is suitable for this method before use. It is recommended that hard surface workpieces can be used.
- 2、 The product has built-in lithium battery backup power supply, which has been turned off before delivery, and must be turned on before use.
- 3、 Before wiring the product, please pay attention to the cable sequence, do not live operation.
- 4、 The fan on the back is used for internal cooling of the product. Do not block the fan port during use.

Dimension(mm)

EVD120X120-B20-



EVD120X120-B40-

