

ERL100

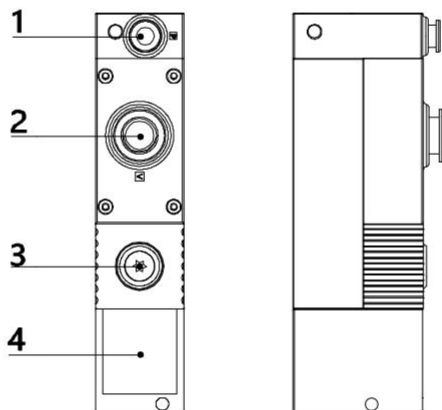
Vacuum Generator

Vacuum Flow: 100 NL/min



Applications/Features

- The product adopts multi-stage vacuum tube, which can be widely used in various industries.
- High vacuum flow and short response time.
- Centralized air supply, air supply and destruction control mode of solenoid valve.
- Comes with external muffler, excellent noise reduction performance.



- 1, Air supply port (insert $\phi 6$ gas pipe).
- 2, Vacuum port 1 (insert $\phi 12$ gas pipe) Vacuum pad port.
- 3, Vacuum port 2 (G1/8 female thread hole) vacuum detection port.
- 4, Exhaust vent.

How to Order?

Series No.	Exhaust Specifications	Solenoid Valve Control	With Or Blank Vacuum												
ERL100:ERL100 Series	Blank: Built-in muffler (default) P: Port exhaust	<table border="1"> <thead> <tr> <th>Code</th> <th>Supply Valve</th> <th>Break Valve</th> </tr> </thead> <tbody> <tr> <td>Blank</td> <td>Blank</td> <td>Blank</td> </tr> <tr> <td>K1</td> <td>●</td> <td>Blank</td> </tr> <tr> <td>K2</td> <td>●</td> <td>●</td> </tr> </tbody> </table>	Code	Supply Valve	Break Valve	Blank	Blank	Blank	K1	●	Blank	K2	●	●	Blank: Blank (default) C: with Vacuum pressure gauge
Code	Supply Valve	Break Valve													
Blank	Blank	Blank													
K1	●	Blank													
K2	●	●													

Order Example: ERL series vacuum generator, port exhaust, supply valve control, with vacuum pressure rebound mark
The order code is ERL100-P-K1-C

Performance Parameters

Model Specifications	Air Supply Pressure(MPa)	Maximum Vacuum -kPa	Maximum Vacuum Flow NL/min	Air Consumption NL/min	Recommended Diameter Of Air Supply Port (mm)	Recommended Diameter Of Vacuum Port (mm)
ERL100-	0.4	85	100	57	6	12

ERL100

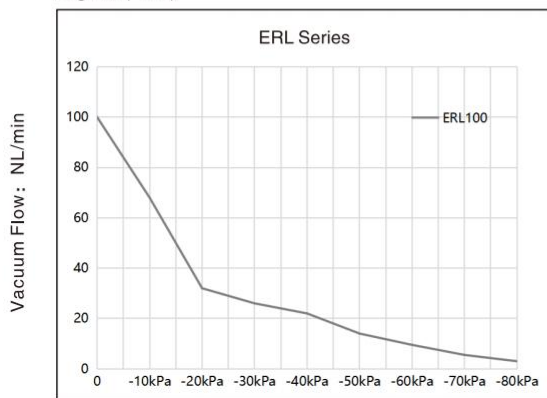
Vacuum Flow Rate (NL/min) For Different Vacuum Degrees (-kPa)

Specifications and Models	Air Supply Pressure(MPa)	Air Consumption NL/min	0	10	20	30	40	50	60	70	80	90	Maximum Vacuum -kPa
ERL100-	0.4	57	100	68	32	26	22	14	9.5	5.5	3	--	85

Pumping Time (s/L) For Different Vacuum Degrees (-kPa)

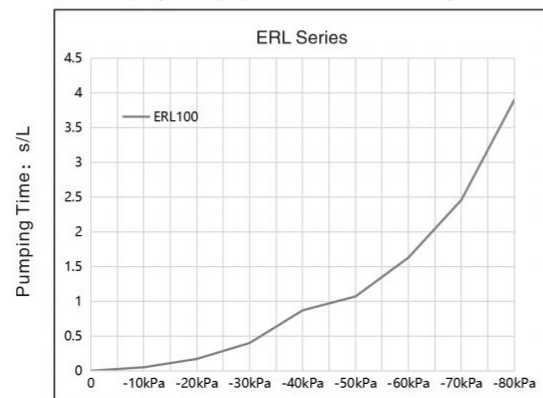
Specifications and Models	Air Supply Pressure(MPa)	Air Consumption NL/min	0	10	20	30	40	50	60	70	80	90	Maximum Vacuum -kPa
ERL100-	0.4	57	0	0.05	0.17	0.4	0.87	1.07	1.63	2.46	3.9	--	85

ERL Vacuum Flow Rate (NL/min) For Different Vacuum Degrees (-kPa)



Degree Of Vacuum: -kPa

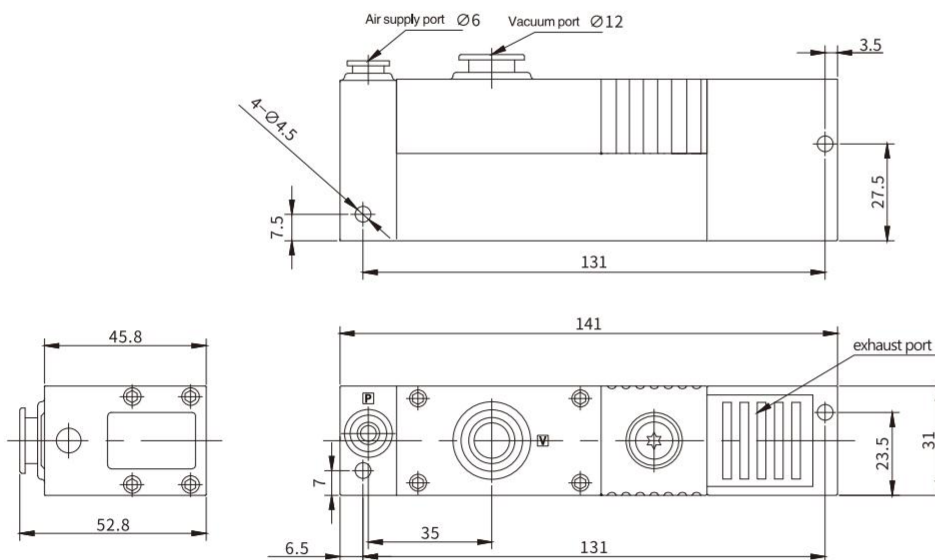
ERL Pumping Time (s/L) For Different Vacuum Degrees (-kPa)



Degree Of Vacuum: -kPa

Main Dimension

ERL100

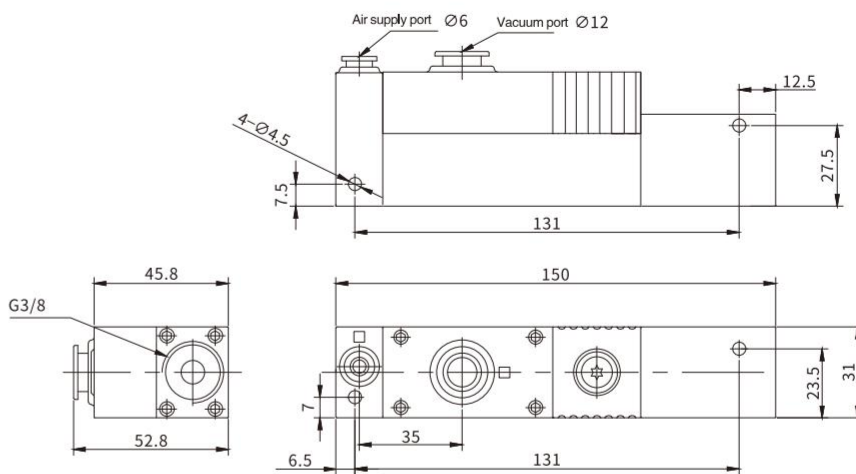


ERL100 Series Vacuum Generator

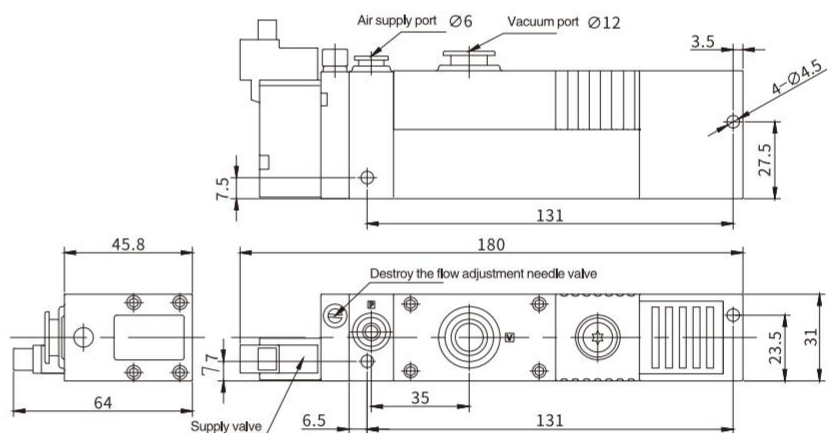


Main Dimension

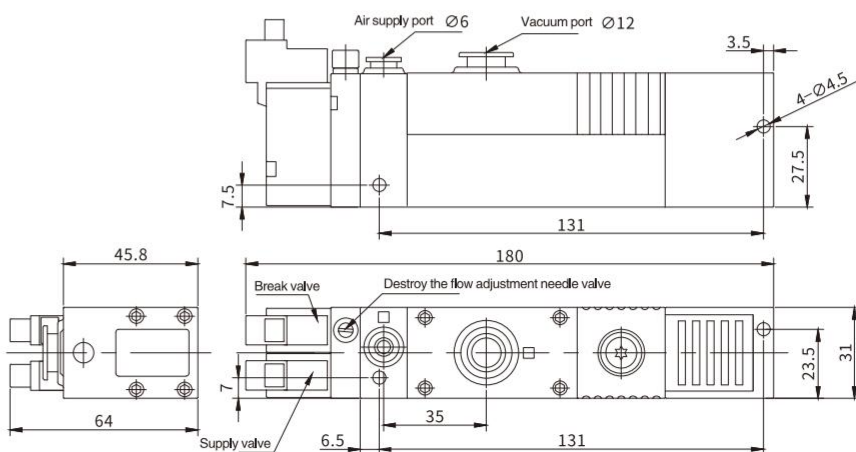
ERL100-P



ERL100-K1



ERL100-K2



ERL100