

## EJM

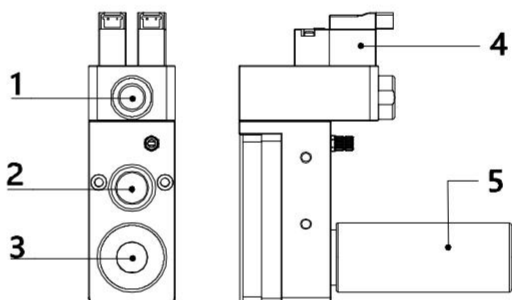
### Vacuum Generator

Vacuum Flow: 70NL/min–140NL/min



#### Application/Features

- The product adopts multistage vacuum tube, can be widely used in a variety of industries.
- High vacuum flow rate and short response time.
- Centralized air supply, solenoid valve air supply, failure control mode.
- With external silencer, excellent noise reduction performance.



- 1、Gas mouth
- 2、Vacuum port
- 3、Exhaust port
- 4、Solenoid valve
- 5、Silencer

#### How to Order?

Series No.	Specification	Solenoid Valve Control mode			Solenoid Valve Type		
EJM:EJM Series	10: 2 vacuum tubes 20: 4 vacuum tubes	Code	Supply Valve	Destroy The Valve	Code	Supply Valve	Destroy The Valve
		D	●	●	NC	NC	NC
					NO	NO	NC

**Order Example:** EJM series vacuum generator, 1-gang vacuum hose, solenoid valve, controls: supply valve, destructive valve.  
The ordering code is: EJM10-D-NC

#### Performance Parameter

Specifications And Models	Air Supply Pressure (Mpa)	Maximum Vacuum: -kpa	Maximum Vacuum Flow NL/min	Gas Consumption NL/min	Recommended Diameter Of Air Supply Port (mm)	Recommended Diameter Of Vacuum Port (mm)
EJM 10-	0.45	84	70	52	8	10
EJM 20-	0.45	84	140	107	8	12

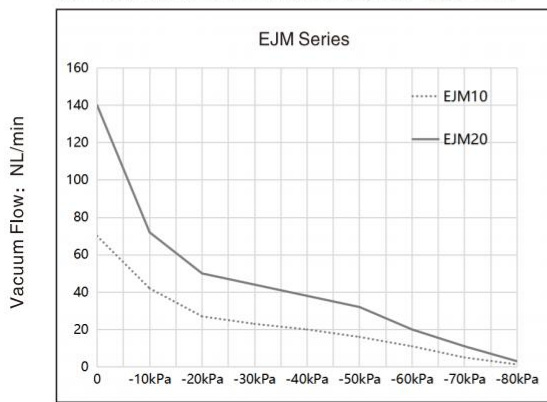
## Vacuum Flow Rate Of Different Vacuum Degrees (-kpa) (NL/min)

Specifications And Models	Air Supply Pressure (Mpa)	Gas Consumption NL/min	0	10	20	30	40	50	60	70	80	90	Maximum Vacuum: -kpa
EJM 10-	0.45	52	70	42	27	23	20	16	11	5	1.3	—	84
EJM 20-	0.45	107	140	72	50	44	38	32	20	11	3	—	84

## Suction Time Of Different Vacuum Degrees (-kpa) (S/L)

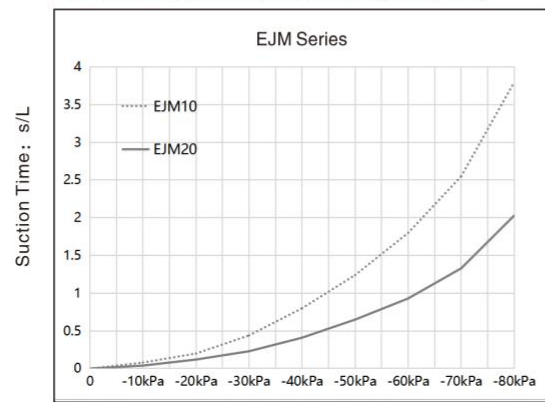
Specifications And Models	Air Supply Pressure (Mpa)	Gas Consumption NL/min	0	10	20	30	40	50	60	70	80	90	Maximum Vacuum: -kpa
EJM 10-	0.45	52	0	0.08	0.2	0.44	0.8	1.24	1.8	2.55	3.8	—	84
EJM 20-	0.45	107	0	0.04	0.12	0.23	0.41	0.65	0.93	1.33	2.03	—	84

EJM Vacuum flow rate of different vacuum degrees (-kpa) (NL/min)



Vacuum Degree: -kPa

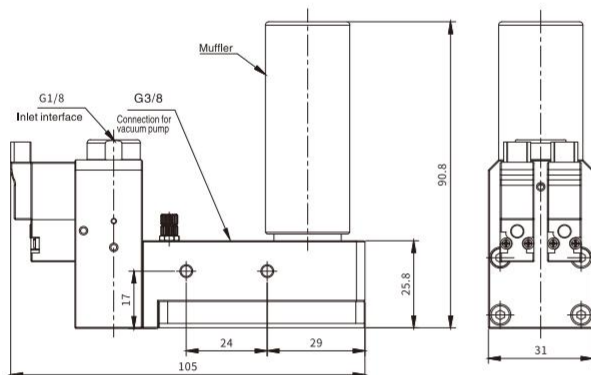
EJM Suction Time of Different Vacuum Degrees (-kPa)



Vacuum Degree: -kPa

## Main Dimension

EJM10-D-



EJM20-D-

