

EGX

Vacuum Generator

Vacuum Flow: 180 NL/min – 360 NL/min



Application/Features

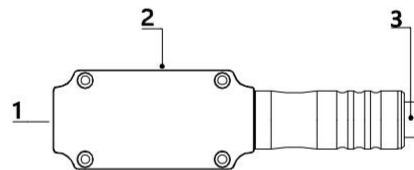
- Products using multistage vacuum tube, engraved widely used in many industries.
- High vacuum flow rate and short corresponding time.
- Rich number of vacuum interfaces, more convenient application.
- Built-in silencer structure, excellent noise reduction performance.

How to Order?

Series No.	Specification	Vacuum Tube Type
EGX:EGX Series	02: Twostagevacuumtube 03: Three-stagevacuumtube	H: -94 kPa L: -74 kPa

Order Example:

EGX series Vacuum generator, Bipolar vacuum tube, Vacuum tube type:-94kPa.
Ordering code: EGX-02H



- 1, Air supply port
- 2, Vacuum port
- 3, Exhaust port

Performance Parameter

Specifications And Models	Supply Gas Pressure (MPa)	Maximum Vacuum Degree (-kPa)	Maximum Vacuum Flow (NL/min)	Gas Consumption (NL/min)	Recommended Diameter Of Air Supply Port (mm)	Recommended Pipe Diameter For Vacuum Port(mm)
EGX-02H	0.45	94	190	120	8	10
EGX-02L	0.35	74	180	108	8	10
EGX-03H	0.45	94	360	120	8	10
EGX-03L	0.35	74	330	108	8	10

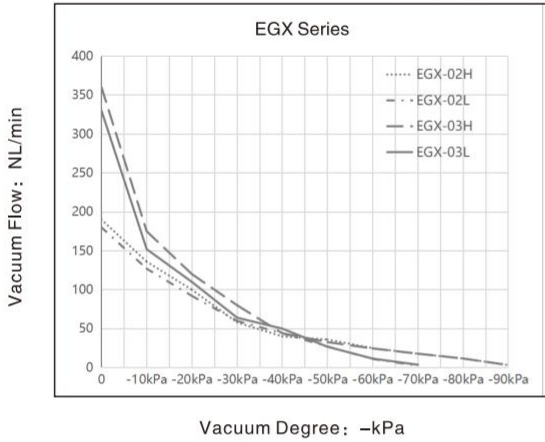
Vacuum Flow Rate Of Different Vacuum Degrees (-kpa) (NL/min)

Specifications And Models	Supply Gas Pressure(MPa)	Gas Consumption (NL/min)	Maximum Vacuum Degree (-kPa)										
			0	10	20	30	40	50	60	70	80	90	
EGX-02H	0.45	120	190	136	100	58	40	36	25	17.8	11.7	3.1	94
EGX-02L	0.35	108	180	127	92.0	60.0	44.0	27.0	11.0	2.4	---	---	74
EGX-03H	0.45	120	360	175	12.0	80.0	44.0	32.7	24.5	17.8	11.6	3.2	94
EGX-03L	0.35	108	330	152	110	64.0	50.0	26.7	11.5	3.6	---	---	74

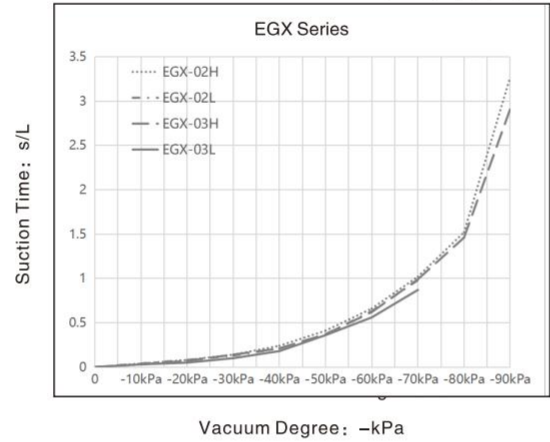
Suction Time Of Different Vacuum Degrees (-kpa) (s/L)

Specifications And Models	Supply Gas Pressure(MPa)	Gas Consumption (NL/min)	Maximum Vacuum Degree (-kPa)										
			0	10	20	30	40	50	60	70	80	90	
EGX-02H	0.45	120	190	0.04	0.08	0.14	0.24	0.41	0.66	1.02	1.52	3.27	94
EGX-02L	0.35	108	180	0.04	0.08	0.13	0.21	0.37	0.63	0.98	---	---	74
EGX-03H	0.45	120	360	0.03	0.07	0.14	0.21	0.37	0.62	0.99	1.46	2.91	94
EGX-03L	0.35	108	330	0.03	0.05	0.10	0.18	0.36	0.56	0.87	---	---	74

EGX Vacuum Flow Rate Of Different Vacuum Degrees (-kPa) (NL/min)

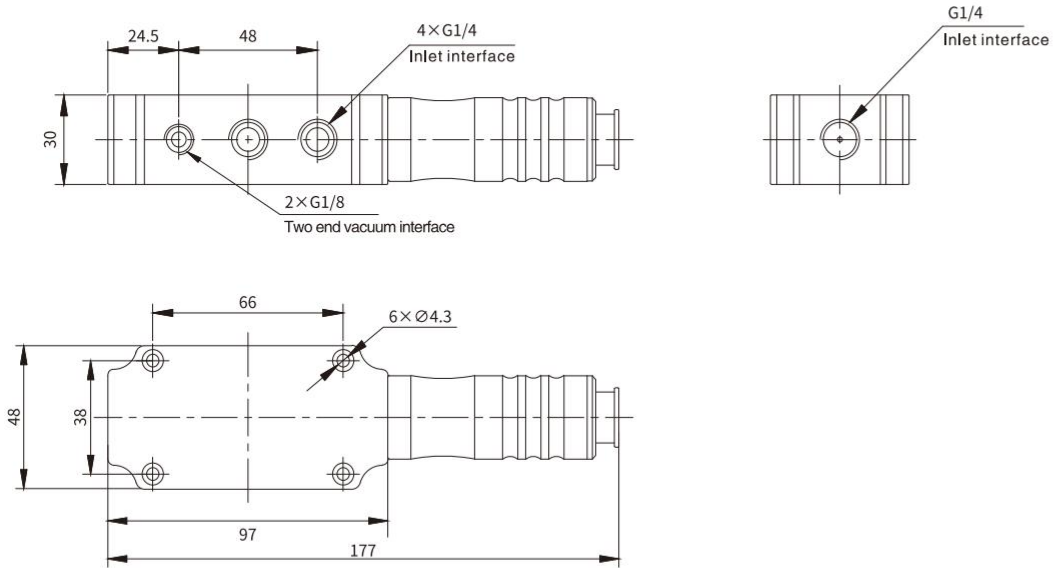


EGX Suction Time Of Different Vacuum Degrees (-kPa) (s/L)



Main Dimension

EGX-02H(L)



EGX-03H(L)

