

KE12



Features

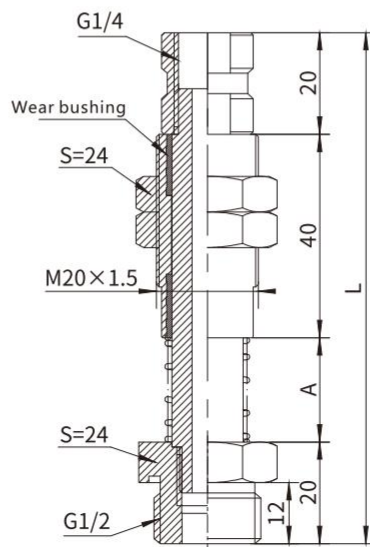
- The external damping spring has very good compensation for different heights when conveying workpieces.
- Large range of connection threads and lifting heights enables use for a wide variety of applications and suction pads.
- Spring damping and soft contact with sensitive workpieces.
- Abrasion resistant guide rod, longer life.

How to Order?

Series No.	Suction Cup Connection	Lifting Heights	Guide Bush Male Thread
KE: External damping spring	12: G1/2	10: 10mm stroke 20: 20mm stroke 25: 25mm stroke 30: 30mm stroke 50: 50mm stroke 75: 75mm stroke	A20: M20X1.5 A30: M20X2

Order Example: KE External Damping Spring Plungers, suction cup connection G1/2, lifting heights stroke 10mm, guide bush male thread M20X1.5. Order code is: KE1210-A20

Main Dimension



KE12 10-A20

①Lifting Heights	A	L
10	20.5	100.5
20	35.5	115.5
30	50.5	130.5
50	70.5	150.5