

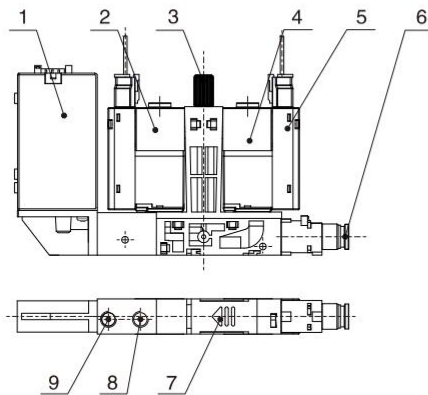
## EZB

### Small Vacuum Generator



#### Applications / Features

- Multi-piece assembled structure, adopts centralized air supply;
- Separate the vacuum pathway from the vacuum rupture pathway;
- Adopting a screw free quick connect design;
- The vacuum breaking flow rate can be micro adjusted to meet precise control requirements;
- Small and light weight, low noise, high-speed response.



1. Digital Vacuum Pressure Gauge (optional);
2. Vacuum Valve;
3. Vacuum Breaker Flow Control Rod;
4. Vacuum Breaker Valve;
5. Junction Box Assembly;
6. Vacuum Quick-Connect Interface  $\Phi 4$ ;
7. Soundproofing Foam Cover;
8. Individual Air Supply Port M5 (optional);
9. Air Supply Port M5.

#### How to Order?

Series No.	Nozzle Diameter	Integrated Body Form	Vacuum Gauge Specification
EZB: EZB Series	05:Ø0.5	1: Common Air Supply Port for Vacuum and Vacuum Break 2: Dedicated Air Supply Port for Vacuum Break	Blank: Blank a gauge N: NPN Type P: PNP Type

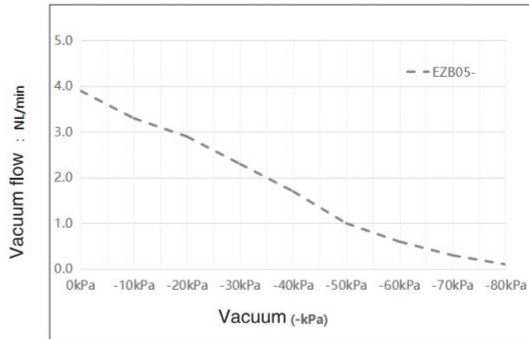
**Order Example:** EZB series single-chip miniature vacuum generator, with a nozzle diameter of 0.5, common air supply port for vacuum and vacuum break, NPN vacuum gauge specification.  
Its order code is: EZB051-N.

# EZB Series Small Vacuum Generator

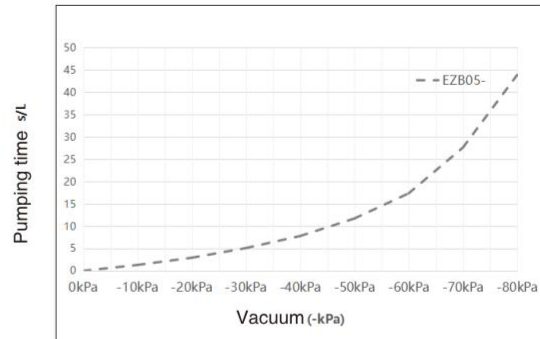


## Performance Parameters

EZB – Vacuum flow rate with different vacuum degrees (-kPa) (NL/min)



EZB – pumping time with different vacuum degrees (-kPa) (s/L)



Vacuum flow rate with different vacuum degrees (-kPa) (NL/min)

Model	Rated air supply pressure(MPa)	Single gas consumption NL/min	0kPa	-10kPa	-20kPa	-30kPa	-40kPa	-50kPa	-60kPa	-70kPa	-80kPa	Max. vacuum- kPa
EZB05-	0.4	9.5	3.5	3.3	2.9	2.3	1.7	1.0	0.6	0.3	0.1	85

Pumping time with different vacuum levels (-kPa) (s/L)

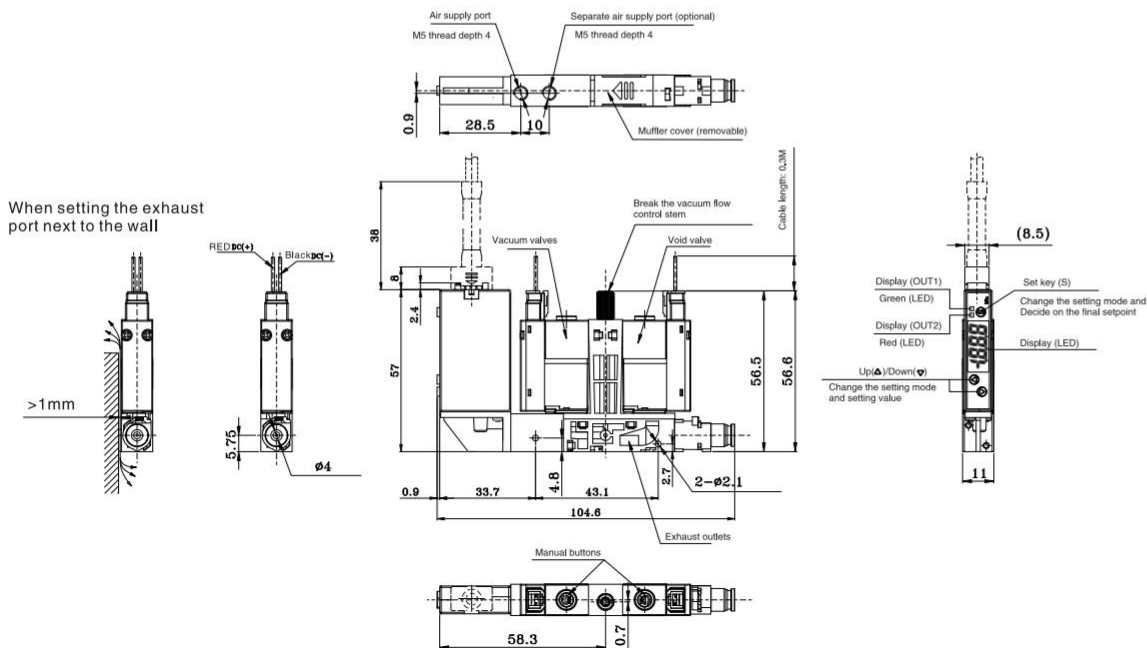
Model	Rated air supply pressure(MPa)	Single gas consumption NL/min	0kPa	-10kPa	-20kPa	-30kPa	-40kPa	-50kPa	-60kPa	-70kPa	-80kPa	Max. vacuum- kPa
EZB05-	0.4	9.5	0	1.32	2.93	5.10	7.80	11.72	17.35	27.60	43.86	85

## Specifications

Model	EZB05□-
Nozzle Diameter (mm)	0.5
Rated Air Supply Pressure (Mpa)	0.4
Air Supply Pressure Range (Mpa)	0.2~0.55
Maximum Vacuum Flow (NL/min)	3.5
Air Consumption (NL/min)	9.5
Noise Level (dB(A))	63
Vacuum Interface Diameter (mm)	Φ 4
Maximum Vacuum Degree (kPa)	-85
Ambient Temperature (°C)	0~50 (non-condensing)
Operating Voltage (V)	DC24
Voltage Range	± 10%
Solenoid Valve Power (W)	Start: 1.2W; Hold: 0.6W
Filtration Precision ( μ m)	40

## Dimensions(mm)

### EZB□ -N/P with vacuum pressure gauge



### EZB□ Blank a table

