

EHR

Clean Pressure Regulator



Product Features

- Excellent corrosion resistance.
- The product is oil-free and does not use grease-based parts at all.
- The diaphragm is made of PTFE and can be used in a variety of working conditions.
- The product has a non-overflow structure, which facilitates the centralized recovery of exhaust gases.
- The product is washed, inspected and double-packed in a class 100 environment.

How to Order?

Series No.	Valve Body Size	Cleanliness Class	Set Pressure	Overflow Structure	Port Size	Pressure Gauge Connection Direction	Bracket Code	Thread Type
EHR: EHR series clean pressure regulator	4: 4 Series	0: Class A	0:0.02~0.2MPa 1:0.05~0.7MPa	0:No Relief	02:1/4" 03:3/8" 04:1/2"		Blank: With bracket J: Without bracket	Blank: G P:PT T: NPT

Blank	R:R specification
<p>Pressure gauge connection</p>	<p>Pressure gauge connection</p>

Note: There is only one connection for gauge

Order Example: EHR series clean pressure regulator, valve body size 4 series, Cleanliness class A, set pressure 0.02~0.2MPa, no overflow, port size 1/4", pressure gauge interface direction is not, with bracket, G thread, ERP code is EHR4000-02.

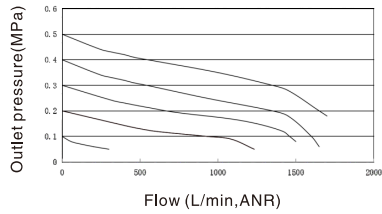
Specifications

Model No.	EHR4000	EHR4010
Overflow structure	Non-overflow type	
Port size	1/4" 3/8" 1/2"	
Use fluid	Clean air, N, Ar, CO, pure water	
Proof Pressure	1.5MPa	
Max.Working Pressure	1.0MPa	
Set Pressure	0.02~0.2MPa	0.05~0.7MPa
Ambient temperature and fluid temperature	0~60° C(no freezing)	
Contact fluid material (metal)	SUS316L	
Diaphragm material	PTFE	
Weight(g)	688	

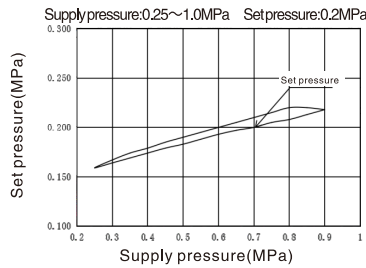
EHR Series Clean Pressure Regulator



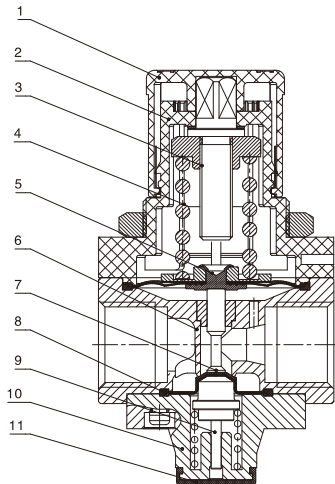
EHR4000 Flow Chart



EHR4000 Pressure Characteristic Diagram

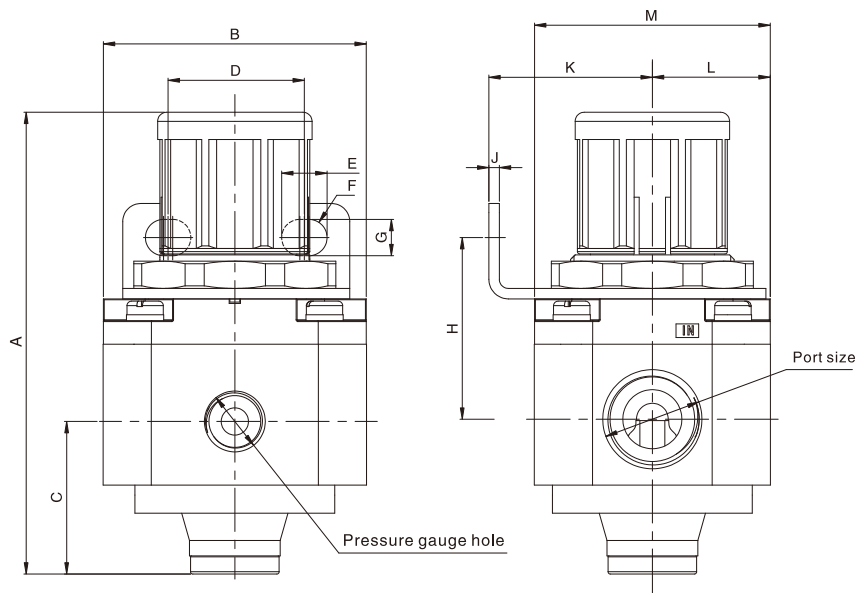


Internal Structure



No.	Part Name	Material
1	Adjusting handle	Plastic
2	Main pressure regulating seat	Plastic
3	Pressure regulating screw assembly	Quick-cut steel
4	Spring	SWC
5	Diaphragm assembly	Stainless steel + rubber + plastic
6	Valve body	Stainless steel
7	Valve stem	Stainless steel
8	Diaphragm	Rubber + plastic
9	Intake valve core	Stainless steel
10	Bottom cover	Aluminium alloy
11	Dust jacket	Rubber

Main Dimension



Model	Port size	A	B	C	D	E	F	G	H	J	K	L	M	Pressure gauge hole
EHR4000	1/4" 3/8" 1/2"	101.7	58	33.6	30	10	R5	8	40	2.3	36	26	52	1/4"