

# EIL Series Air Preparation Unit



## EIL Lubricator



### Specifications

Model	EIL2000	EIL3000	EIL4000	EIL5000
Proof pressure(MPa)	1.5			
Working Pressure Range(MPa)	0.05~1.0			
Working temperature(°C)	-5~60			
Recommended oil	Turbine No.1 Oil ISOVG32			
Bowl material	Polycarbonate			
Bowl guard	None	Available		
Entrance pressure(MPa)	0.15~1.0			

Model	Specifications			
	* Minimal flow of oil drop (L/min)	* Rated flow (L/min)	* Port size(G)	Bowl capacity (cm <sup>3</sup> )
EIL2000-01	15	1300	1/8	25
EIL2000-02		1345	1/4	
EIL3000-02	30	2310	1/4	50
EIL3000-03		2375	3/8	
EIL4000-04	50	5532	1/2	130
EIL5000-06		7700	3/4	
EIL5000-10	190	8000	1	130

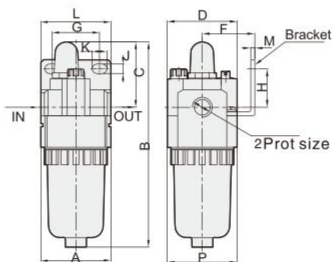
\* The above information is based on 6.3 Bar supply pressure, the flow of oil drop is 2~3 drops/ min, the temperature of Turbine No.1 oil is 20°C

\* The above information is based on 6.3 Bar supply pressure and 1.0 Bar step down

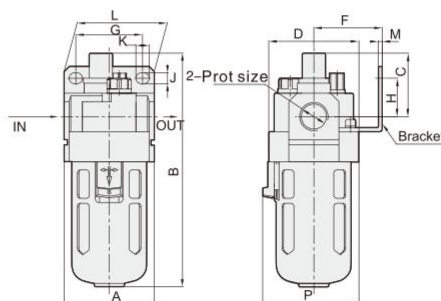
\* NPT,PT port size is optional

### Main Dimension

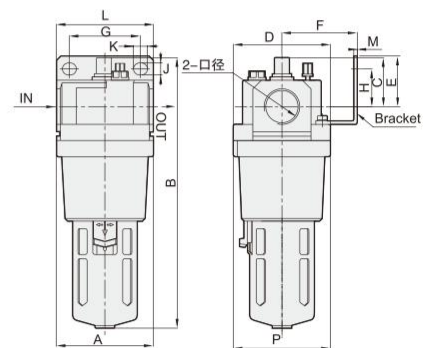
EIL2000



EIL3000-EIL4000



EIL5000



Model	Port Size (G)	A	B	C	D	F	G	H	J	K	L	M	P
EIL2000	1/8"-1/4"	40	115	37.5	40	31	19	14	17	6.8	40	2	40
EIL3000	1/4"-3/8"	53	141	39	53	41	40	23	6.5	8	53	2	56
EIL4000	3/8"-1/2"	70	175	40	70	53	54	26	8.5	10.5	70	2	73
EIL5000	3/4"-1"	90	254	45.5	90	67	66	35	11	13	90	3	90