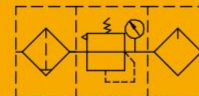


EAC2000 EAC3000 EAC4000

F.R.L Unit



Specifications

Model	EAC2000-01	EAC2000-02	EAC3000-02	EAC3000-03	EAC3000-04	EAC4000-03	EAC4000-04	EAC4000-06	
Working Medium	Clean Air(after 40 μ m filtration)								
Proof Pressure(MPa)	1.5								
Working Pressure Range(MPa)	0.15-1.0								
Pressure Adjustment Range(MPa)	0.05-0.9.Low pressure type 0.05-0.4								
Working Temperature(°C)	-5-60 (No freezing)								
Filter Precision	40 μ m/5 μ m optional								
Recommended Oil	Turbine No.1 Oil, ISO VG32								
Bowl Material	PC(Polycarbonate)								
Water Bowl Capacity(CC)	11		40			75			
Oil Bowl Capacity(CC)	30		76			183			
Weight(g)	551		1245			2284			
Component	Filter	EAF2000-01	EAF2000-02	EAF3000-02	EAF3000-03	EAF3000-04	EAF4000-03	EAF4000-04	EAF4000-06
	Regulator	EAR2000-01	EAR2000-02	EAR3000-02	EAR3000-03	EAR3000-04	EAR4000-03	EAR4000-04	EAR4000-06
	Lubricator	EAL2000-01	EAL2000-02	EAL3000-02	EAL3000-03	EAL3000-04	EAL4000-03	EAL4000-04	EAL4000-06

How to Order?

Series No.	Port Size	Drain Type	Type No.	Pressure Gauge	Pressure Gauge Type	Scale Unit	Filter Precision	Thread Type
EAC2000:EA2000 series F.R.L Unit EAC3000:EA3000 series F.R.L Unit EAC4000:EA4000 series F.R.L Unit	2000 01: 1/8" 02: 1/4" 3000 02: 1/4" 03: 3/8" 04: 1/2" 4000 03: 3/8" 04: 1/2" 06: 3/4"	Blank: Manual drain type C: Semi-anto drain D: Auto Drain type①	Blank: Standard type	Blank: With pressure gauge N: No pressure gauge	F: Square pressure gauge Y: Round pressure gauge	② Square pressure gauge optional Round pressure gauge optional	Blank: 40 μ m 5M: 5 μ m	Blank: G P: PT T: NPT
						1: MPa 2: Bar 3: Psi 4: Mpa/Psi 5: Bar/Psi		

Order Example:

EA series F.R.L unit, port size of 1/2", differential pressure drain type, with square pressure gauge,

Mpa, 5 μ m, G thread, the ERP code: EAC3000-04CF15M

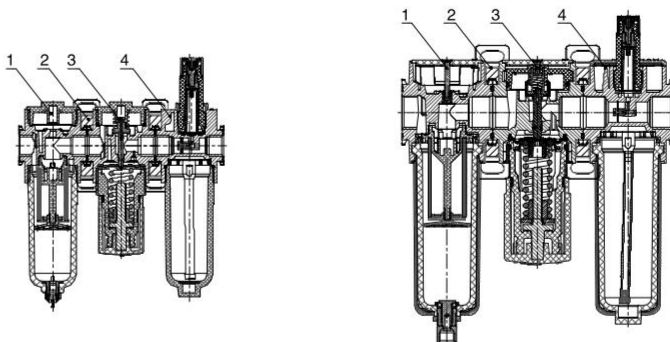
Remark: ① 2000 series without automatic drainage type

② Square pressure gauge is single scale, round pressure gauge is double scale.

EA Series Air Preparation Unit

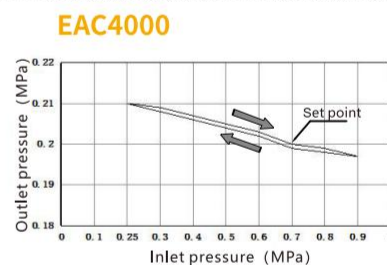
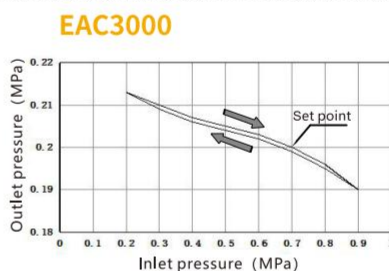
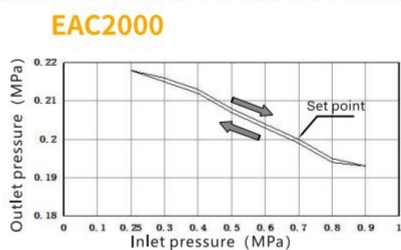


Internal Structure

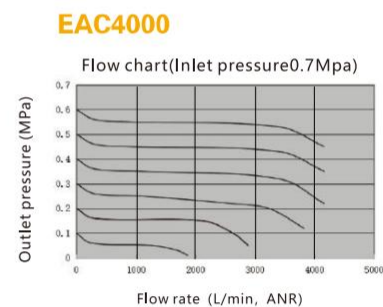
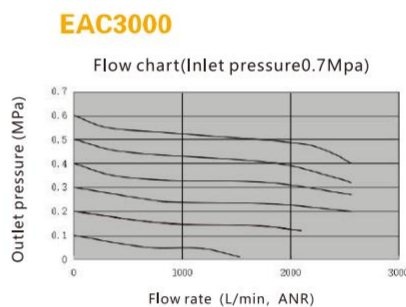
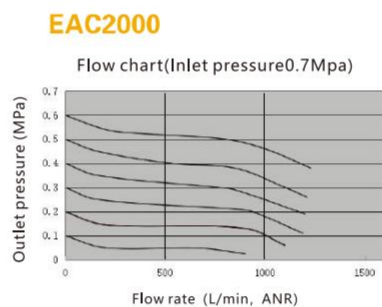


No.	Part Name
1	EA series filter
2	T type bracket
3	EA series regulator
4	EA series lubricator

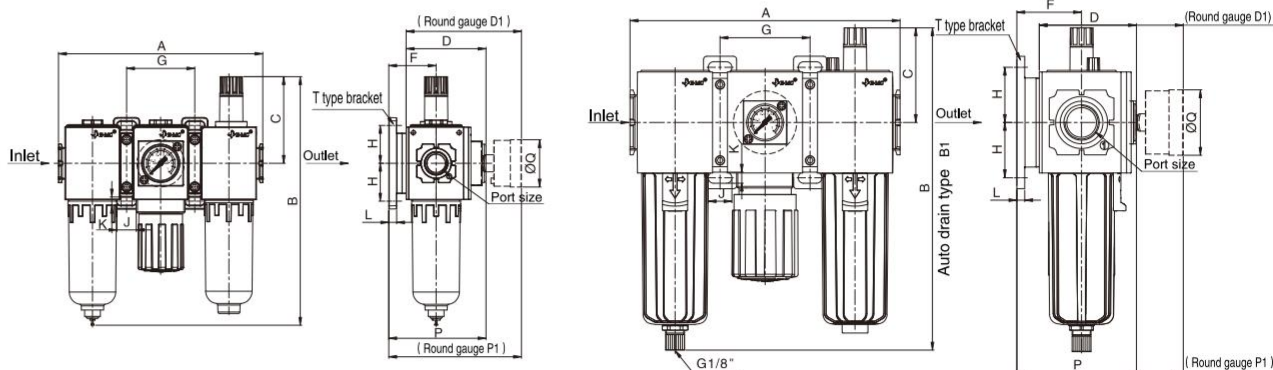
Pressure Feature



Flow Chart



Main Dimensions



Model	Port Size	A	B	B1	C	D	D1	F	G	H	J	K	L	P	P1	Q
EAC2000	1/8", 1/4"	129	157.5	-	54.9	73	73	30	43	24	12.5	5.5	5	61.6	84	30
EAC3000	1/4", 3/8", 1/2"	171	204.2	201.5	60	61.6	91.2	41	57	35	15	7	5	75.8	105.4	41.5
EAC4000	3/8", 1/2", 3/4"	240	227.8	222.1	63	82.1	110.7	50	80	40	18	9	7	95.3	123.8	41.5

5
EAC