

ER Series Air Preparation Unit



ER Regulator



Specifications

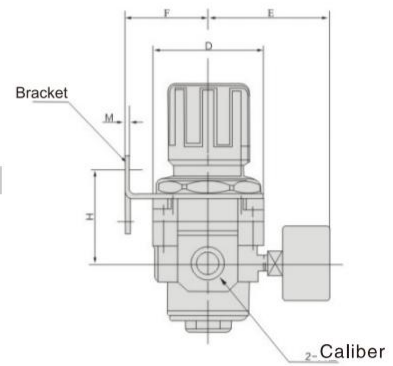
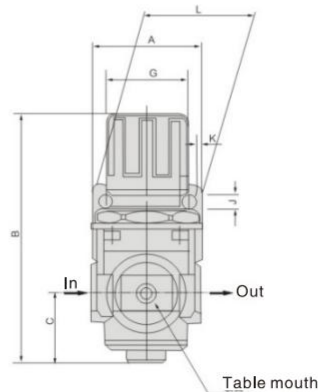
Model	ER1000	ER2000	ER3000	ER4000	ER5000
Proof pressure(MPa)			1.5		
Max. working pressure(MPa)			1.0		
Pressure adjusting range(MPa)			0.05~0.9		
Working temperature(°C)			-5~60		
Valve type			With overflow		

Model	Specifications				Accessories
	*Rated flow(L/min)	** Port size (G)	size (G)	Weight (kg)	Bracket
ER1000-M5	100	M5	1/16	0.08	B120
ER2000-01	1400	1/8	1/8	0.25	B220
ER2000-02		1/4			
ER3000-02	2800	1/4	1/8	0.5	B320
ER3000-03		3/8			
ER4000-03	3500	3/8	1/4	0.95	B420
ER4000-04		1/2			
ER4000-06	6000	3/4	1/4	1.06	
ER5000-06	8000	3/4	1/4	1.15	
ER5000-10	8000	1			

* The above information is based on 8.0 Bar supply pressure and 6.3 Bar set pressure

* NPT,PT port size is optional

Main Dimension



Model	Caliber	A	B	C	D	E	F	G	H	J	K	L	M	N
ER1000-M5	M5	25	58	12	25	33.5	25	28	27.5	4.5	6.5	40	1.8	18.5
ER2000-01/02	1/8 · 1/4	40	92	17	40	53	33	33.5	43	5.5	15	55	1.8	33.5
ER3000-02/03	1/4 · 3/8	53	123.5	35	53	54.5	41	36	46	6.5	11.5	54	1.8	42.5
ER4000-03/04	3/8 · 1/2	70	145.5	37.5	70	60	49	53	52	8.5	10.5	70	1.8	52.5
ER4000-06	3/4	75	150	38.5	70	66	49	53	56	8.5	10.5	70	1.8	52.5
ER5000-06/10	3/4 · 1	90	165	48	90	70	49	53	62	8.5	10.5	70	1.8	52.5