

FD

Vacuum Filter



Product Features

- Small volume, light weight, with mounting bracket.
- Quick connector type, easy to configure.
- Filter element can be replaced, standard model with bracket.
- With a fast assembly and disassembly structure, the filter element can be replaced without tools.
- Through-type, inlet and outlet stand in same line, easy to install.
- Suit for vacuum systems with moderate and light pollution levels.

How to Order?

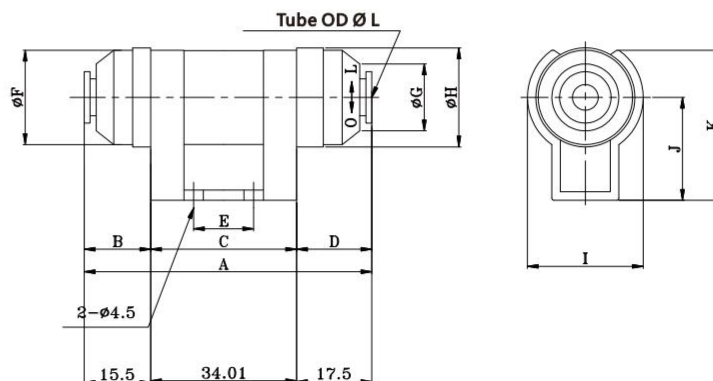
Series No.	Vacuum Flow Rate	IN, OUT Hose OD	
FD: FD Series	100: maximum flow rate 20NL/min 200: maximum flow rate 50NL/min	04: Ø4 06: Ø6 06: Ø6 08: Ø8	Blank: without bracket B: With bracket

Order Example: FD Series Vacuum Filter, maximum flow rate 20NL/min, hose outer diameter $\Phi 4$ (ZPC100), without bracket. Order code is: FD100-04

Performance Parameters

Model No.	FD100-04B	FD100-06B	FD200-06B	FD200-08B
Adjusting Tube OD (mm)	Ø4	Ø6	Ø6	Ø8
Flow Rate (NL/min)	10	20	30	50
Fluid	Air, Nitrogen			
Operating Pressure Range (kPa)	-100~0			
Nominal Filtration Rating (μm)	10			
Ambient and Fluid Temperature ($^{\circ}\text{C}$)	0~60 (No freezing)			
Proof Pressure (bar)	1.5			
Tube Material	Nylon, Soft nylon, PU tube, Extremely soft PU tube			
Filter Element	FD-100-LX		FD-200-LX	

Main Dimension



Model No.	A	B	C	D	E	F	G	H	I	J	K	L
FD100-04B	53.2	9.1	30	14.1	10	18	11.6	19.5	23	20	29	4
FD100-06B	53.2	9.1	30	14.1	10	18	11.6	19.5	23	20	29	6
FD200-06B	67	15.5	34	17.5	14	22	15.6	23.1	27	24	35	6
FD200-08B	67	15.5	34	17.5	14	22	15.6	23.1	27	24	35	8