

FC

Vacuum Filter



Performance Parameters

Model No.	FC54-B	FC56-B	FC76-B	FC78-B	FC710-B	FC712-B
Tube Diameter (mm)	Ø4	Ø6	Ø6	Ø8	Ø10	Ø12
Flow Rate Under Positive Pressure (NL/min)	40	130	140	280	320	370
Flow Rate Under Negative Pressure (NL/min)	10	75	80	110	120	140
Fluid	Air, Nitrogen					
Operating Pressure Range	-0.1MPa~1.0MPa					
Nominal Filtration Rating (µm)	5					
Working Temperature (°C)	0~60 (No freezing)					
Proof Pressure (MPa)	1.2					
Tube Material	Nylon, Soft nylon, PU tube, Extremely soft PU tube					
Filter Element	FC5-LX		FC7-LX			

How to Order?

Series No. Filter Specifications Tube OD — Bracket

FC:	5: Filter area 790mm ²	4: Ø4	B: With bracket
FC Series 7:	Filter area 1280mm ²	6: Ø6	
		8: Ø8	
		10: Ø10	
		12: Ø12	

Order Example: FC Series Vacuum Filter, filter area 790mm², for 4mm tube, with bracket.
Order code is: FC54-B

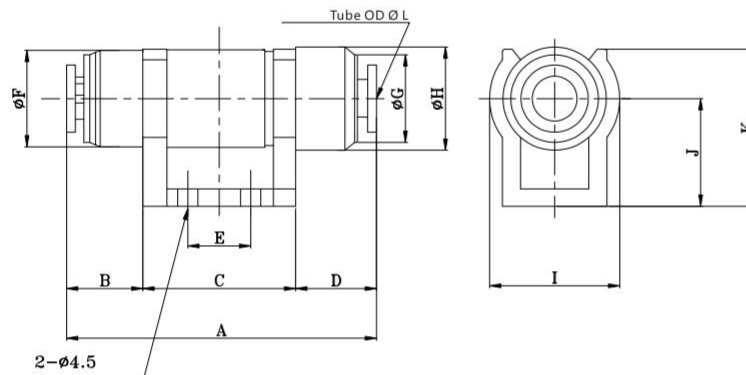
Product Features

- Small volume, light weight with mounting bracket.
- Quick connector type, easy to connect with pipe.
- Quick assembly and disassembly structure, filter element can be replaced without tools.
- Transparent bowl, arrows indicate the direction of air flow, can visualize the contamination level of the filter.
- Can be used in positive or negative pressure system.
- Suit for positive pressure and vacuum systems at moderate and light pollution levels.

Type

Type/Tube Diameter	4	6	8	10	12	Bracket
FC5	•	•	—	—	—	•
FC7	—	•	•	•	•	•

Main Dimension



Model No.	A	B	C	D	E	F	G	H	I	J	K	L
FC54-B	55.5	8	30	10	10	17	13	19	23	20	29	4
FC56-B	55.5	8	30	10	10	17	13	19	23	20	29	6
FC76-B	67	10.5	34	12	14	21.5	15.5	23	29	24	35	6
FC78-B	69.5	12	34	13	14	21.5	16	23	29	24	35	8
FC710-B	78.5	17	34	18	14	21.5	19.5	23	29	24	35	10
FC712-B	78.5	17	34	18	14	21.5	21	23	29	24	35	12