

EZBZ Series Small Vacuum Generator



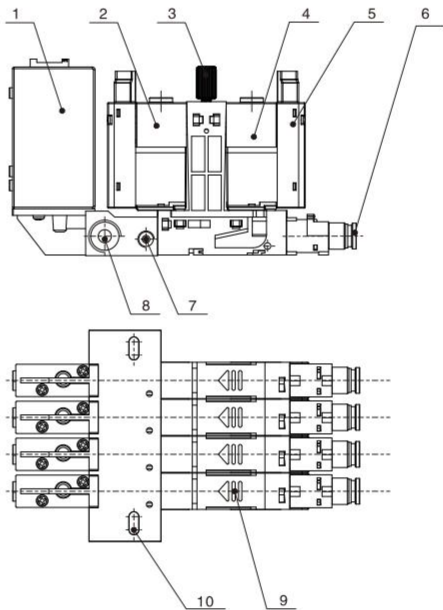
EZBZ

Integrated Small Vacuum Generator



Applications / Features

- Multi-piece container packaging, centralized gas supply;
- The junction box, digital pressure switch, flow control valve, and manual button are all facing upward, simplifying installation and operation, and facilitating maintenance;
- The vacuum path and the vacuum destruction path are separated, and the dust captured during the operation of the vacuum filter is difficult to spray out to the environment;
- The screw-free quick-connect design is convenient for replacing the silencing cotton and filter element, reducing maintenance costs;
- The vacuum destruction flow can be fine-tuned to meet the needs of precise control;
- Compact and lightweight, low noise, high-speed response, improve user experience;
- Positive pressure centralized air supply port 2-M5 or G1/8, empty air supply port M5, vacuum interface $\Phi 4$;



1. Digital vacuum pressure gauge (optional)
2. Vacuum valve;
3. Break vacuum flow control valve rod
4. Breakthrough valve;
5. Wiring box component;
6. Vacuum quick connector $\Phi 4$;
7. Breakthrough single gas supply port 2-M5 (optional);
8. Gas inlet 2-M5 or G1/8;
9. Soundproof cotton cover plate
10. Installation hole positions 2-3X7;

How to Order?

Series No.	Nozzle Diameter	Integrated Body Form	Vacuum gas supply interface diameter	Vacuum Gauge Specification	Container quantity
EZBZ: EZBZ Series	05: $\varnothing 0.5$	1: Common Air Supply Port for Vacuum and Vacuum Break 2: Dedicated Air Supply Port for Vacuum Break	M5: M5 06: 1/8"	Blank: Blank a gauge N: NPN Type P: PNP Type	1F: 1 links 2F: 2 links ... 12F: 12 links

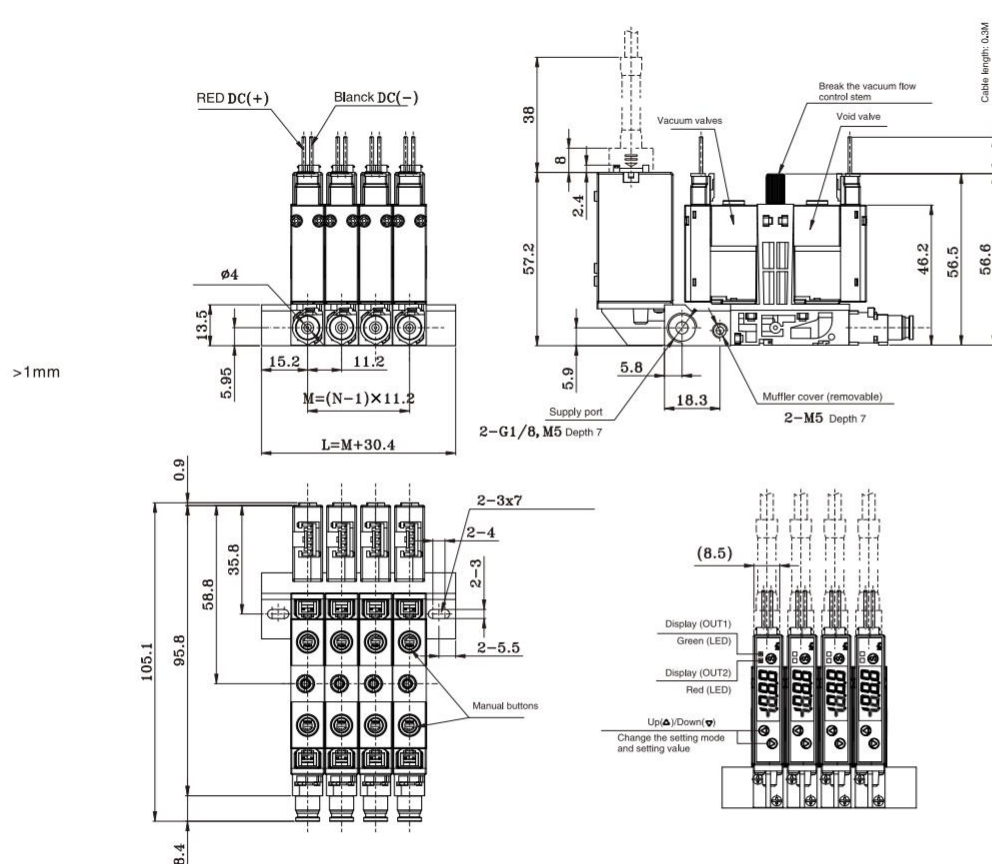
Order Example: EZBZ series integrated small vacuum generator, 0.5 nozzle diameter, vacuum air breaking common air supply port, M5 vacuum gas supply interface, NPN vacuum gauge specification, 4 units
The ordering code is: EZBZ051-M5-N-4F

Specifications

Model	EZBZ051-	EZBZ052-
Nozzle Diameter (mm)	0.5	0.5
Rated Air Supply Pressure (Mpa)	0.4	0.4
Air Supply Pressure Range (Mpa)	0.2~0.55	0.2~0.55
Maximum Vacuum Flow (NL/min)	3.5	3.5
Air Consumption (NL/min)	9.5	9.5
Noise Level (dB(A))	63	63
Vacuum Interface Diameter (mm)	Φ 4	Φ 4
Maximum Vacuum Degree (kPa)	-85	
Ambient Temperature (°C)	0~50 (non-condensing)	
Operating Voltage (V)	DC24	
Voltage Range	± 10%	
Solenoid Valve Power (W)	Start: 1.2W; Hold: 0.35W	
Filtration Precision (μ m)	40	

Dimensions (mm)

EZBZ□-N/P with vacuum pressure gauge



EZBZ Series Small Vacuum Generator



Dimensions (mm)

EZBZ□ Blank a vacuum pressure gauge

