

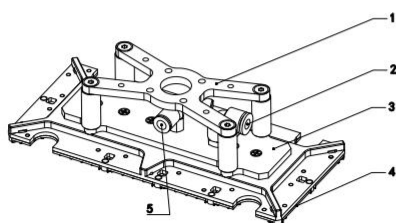
## EVG

### Bernoulli Vacuum Pad



#### Application/Features

- Use Bernoulli principle to realize vacuum adsorption.
- Multiple absorb surfaces to satisfy different applications.
- The body made of quality aluminum alloy and lightweight design.
- Unique design of air duct to reduce noise and air consumption



- 1、 Installation flange
- 2、 Air supply port (1X $\varnothing$ 6)
- 3、 Body
- 4、 Absorb surface
- 5、 Vacuum break port (1X $\varnothing$ 6)

#### How to Order?

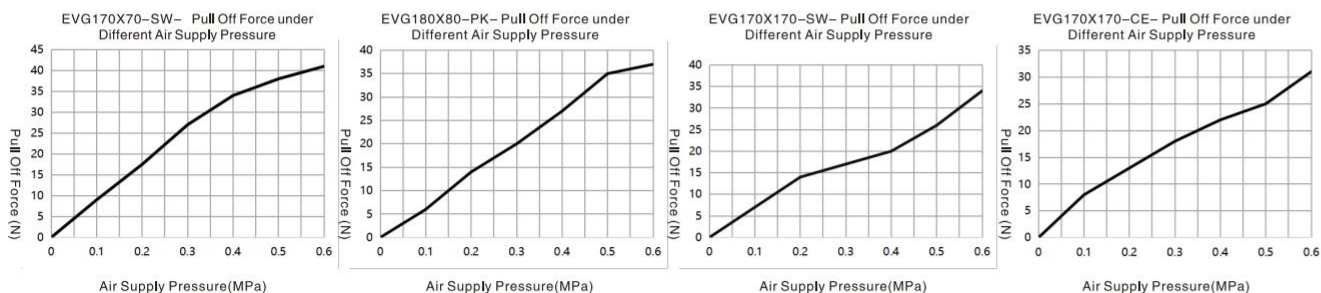
Series	Size of Absorb Surface	Material of Absorb Surface	Vacuum Breaking Fitting
EVG: EVG Series	170X70 180X70 170X170 170X170	SW: Silicone Rubber PK: PEEK SW: Silicone Rubber CE: Ceramics	06: elbow fitting ( $\varnothing$ 6 ) ZSC: speed controller ( $\varnothing$ 6 )

**Order Example:** Example EVG Bernoulli Vacuum Pad, Absorb surface 170X70mm, Material of Absorb Surface: Textured silicone pad, elbow fitting for vacuum breaking, the part number is EVG170X70-SW-06

#### Technical Parameter

Model	Rated Air Supply Pressure(MPa)	Air Consumption under Rated Pressure(NL/min)	Pull Off Force (N)	Air Inlet(mm)	Vacuum Breaking Port(mm)	Net Weight(g)
EVG170X70-SW-	0.25	194	22	1 x $\varnothing$ 6	1 X $\varnothing$ 6	240
EVG180X80-PK-	0.25	127	16	1 x $\varnothing$ 6	1 X $\varnothing$ 6	302
EVG170X170-SW-	0.25	184	15	1 x $\varnothing$ 6	4 X $\varnothing$ 6	381
EVG170X170-CE-	0.25	184	15	1 x $\varnothing$ 6	4 X $\varnothing$ 6	393

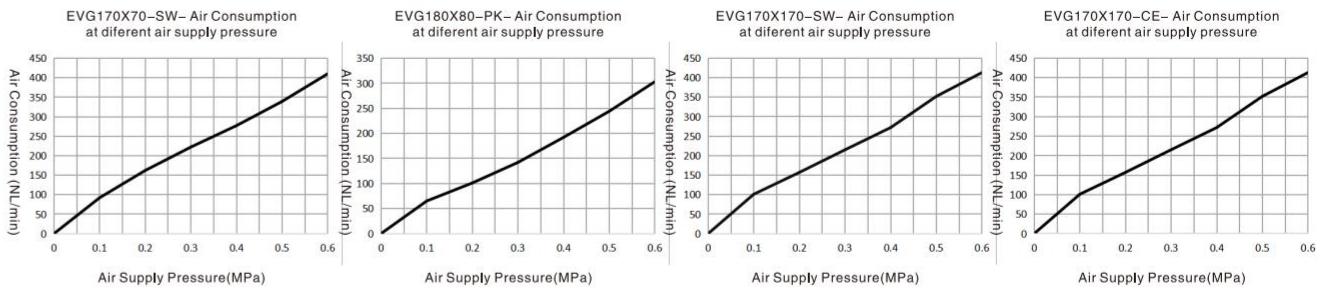
#### Pull Off Force under Different Air Supply Pressure(N)



# EVG Series Bernoulli Vacuum Pad

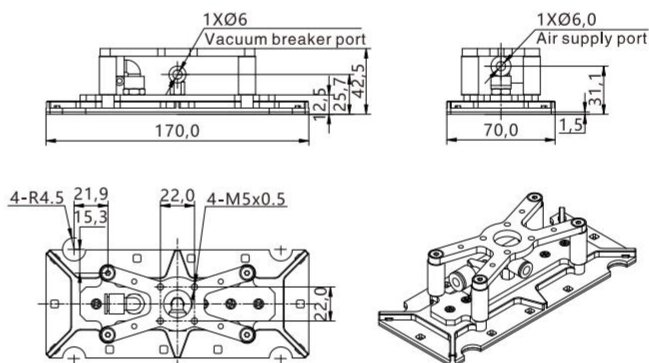


## Air Consumption at Different Air Supply Pressure (NL/min)

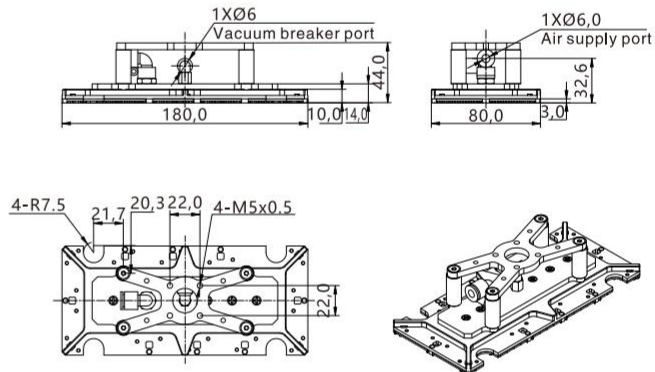


## Main Dimension (mm)

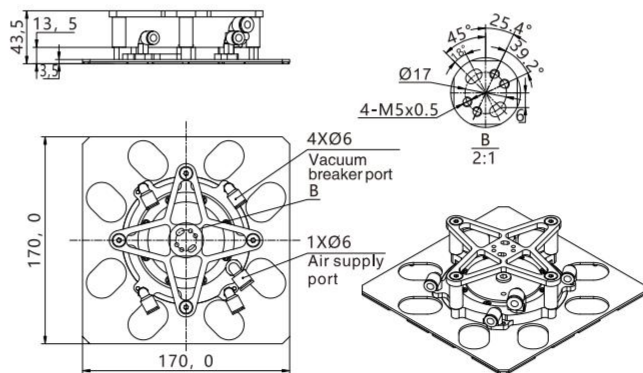
### EVG170X70-SW-



### EVG180X80-PK-



### EVG170X170-SW-



### EVG170X170-CE-

