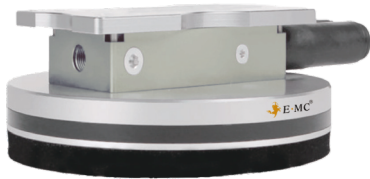


EGR

Vacuum Gripper



Product Features

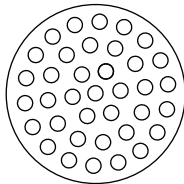
- Suitable for different industry products grabbing, meet various specifications.
- Flexible selection of standard grippers or design of customized grippers according to actual application conditions.
- Vacuum source can be a built-in vacuum generator or an external vacuum source through the vacuum connection port.
- Gripper body is made of materials: high-strength steel, aluminum alloy, engineering plastics, and carbon fiber composite materials. Sponge gasket accessory for quick replacement.

How to Order?

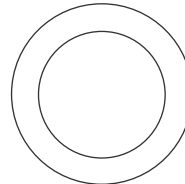
| Series No. | Suction-hole Type | Gripper Diameter | Valve Technology | Gasket Thickness Type | Vacuum Source |
|-----------------------|--|--|---|---|---|
| EG: Vacuum gripper | R: Standardized type B: Customized type | 100: 100mm 150: 150mm 180: 180mm 200: 200mm | V: Self-closing valve L: Flow valve S: High-speed valve | 10: 10mm 15: 15mm 20: 20mm 30: 30mm 10F10: With filter function 15F15: With filter function M: Traceless type | A: Built-in vacuum generator E: Connection interface for external vacuum generator |

Order Example EG series vacuum gripper, standard suction-hole, gripper diameter 100mm, self-closing valve, gasket thickness 15mm, connection port for external vacuum generating device. EPR code is: EGR100V15E

Suction-hole Type



EGR standardized suction-hole type
Type: R
Standardized type



EGB standardized suction-hole type
Type: B
Customized type

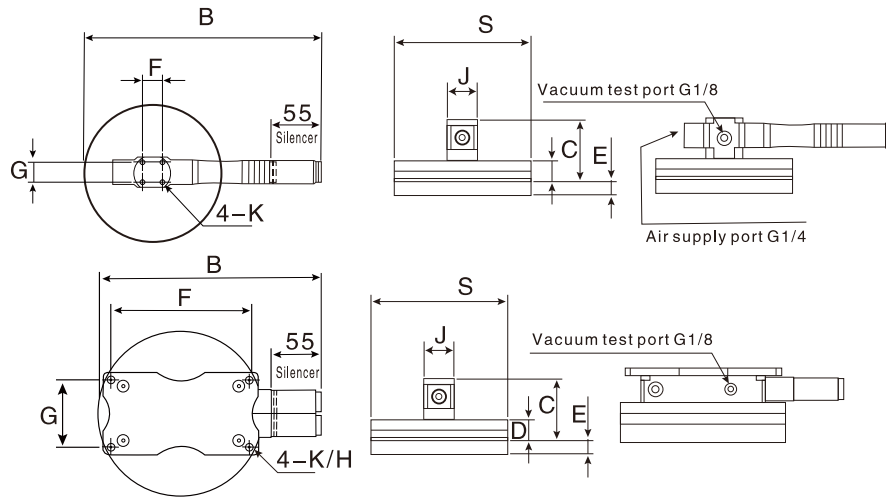
Performance Parameter

| Model | Suction-hole Type | Supply Gas Pressure (Bar) | Required Pumping Volume (L/min) | Vacuum Degree (kPa) | Vacuum Flow (L/min) | Suction Force N(-60kPa) | Weight (kg) |
|--------|-------------------|---------------------------|-----------------------------------|---------------------|---------------------|-------------------------|-------------|
| EGR100 | R | 4~5 | 100 | 60 | 350 | 129 | 0.6 |
| EGR150 | R | 4~5 | 100 | 60 | 350 | 251 | 0.9 |
| EGR180 | R | 4~5 | 200 | 60 | 700 | 414 | 1.7 |
| EGR200 | R | 4~5 | 200 | 60 | 700 | 414 | 1.9 |
| EGB100 | B | 4~5 | 100 | 40 | 350 | 113 | 0.6 |
| EGB150 | B | 4~5 | 100 | 40 | 350 | 314 | 0.9 |
| EGB180 | B | 4~5 | 200 | 40 | 700 | 531 | 1.6 |
| EGB200 | B | 4~5 | 200 | 40 | 700 | 707 | 1.8 |

EGR Series Vacuum Gripper



Main Dimension



Dimension: [mm]

| Model | S | B | C | E | F | G | H | J | K |
|--------|-----|-----|------|----|----|-----|---|----|----|
| EGR100 | 100 | 235 | 67.5 | 10 | 20 | 22 | - | 33 | M6 |
| EGR150 | 150 | 260 | 67.5 | 10 | 20 | 22 | - | 33 | M6 |
| EGR180 | 180 | 244 | 61 | 10 | 20 | 154 | 8 | 90 | M8 |
| EGR200 | 200 | 254 | 61 | 10 | 20 | 154 | 8 | 90 | M8 |
| EGB100 | 100 | 235 | 74.5 | 15 | 20 | 22 | - | 33 | M6 |
| EGB150 | 150 | 260 | 74.5 | 15 | 20 | 22 | - | 33 | M6 |
| EGB180 | 180 | 244 | 68 | 15 | 20 | 154 | 8 | 90 | M8 |
| EGB200 | 254 | 254 | 68 | 15 | 20 | 154 | 8 | 90 | M8 |