

KI14



Features

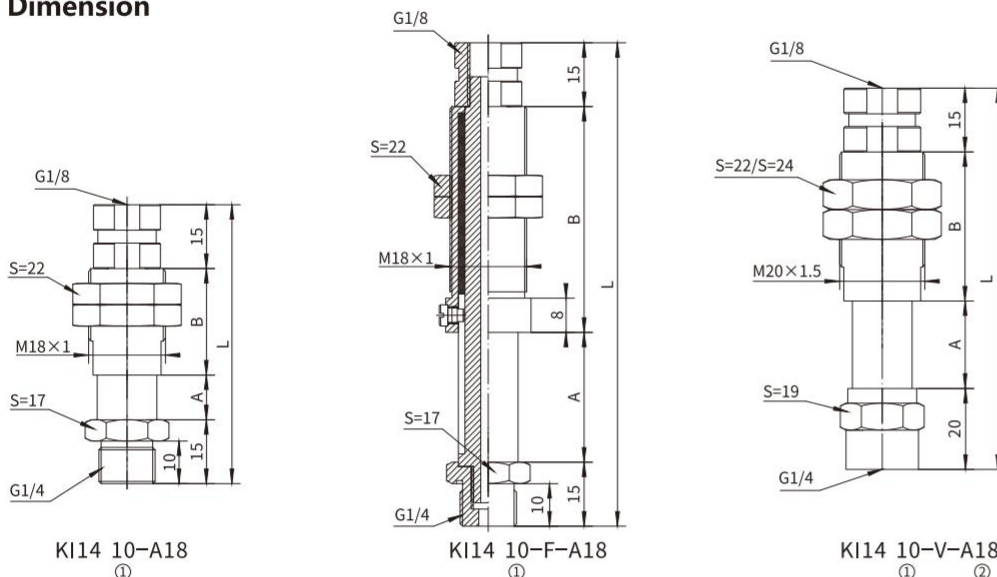
- The built-in damping spring has very good compensation for different heights when conveying workpieces.
- Large range of connection threads and lifting heights enables use for a wide variety of applications and suction pads.
- Spring damping and soft contact with sensitive workpieces.
- Abrasion resistant guide rod, longer life.

How to Order?

| Series No. | Suction Cup Connection | Lifting Heights | □ | Guide Bush Male Thread |
|---------------------|------------------------|--|--|----------------------------|
| KI: Internal spring | 14: G1/4 | 10: 10mm stroke 20: 20mm stroke 30: 30mm stroke 50: 50mm stroke | Blank: standard V: Female thread F: Non rotary | A18: M18X1 A20: M20X1.5 |

Order Example: KI Internal Spring Plungers, suction cup connection G1/4, lifting heights 10mm, standard specification, guide bush male thread M18X1. Order code is: KI1410-A18

Main Dimension



| ①Lifting Heights | A | B | L |
|------------------|------|----|-------|
| 10 | 10.5 | 25 | 65.5 |
| 20 | 20.5 | 35 | 85.5 |
| 30 | 30.5 | 45 | 105.5 |
| 50 | 50.5 | 75 | 155.5 |

| ①Lifting Heights | A | B | L |
|------------------|------|----|-------|
| 10 | 10.5 | 25 | 73.5 |
| 20 | 20.5 | 35 | 93.5 |
| 30 | 30.5 | 45 | 113.5 |
| 50 | 50.5 | 75 | 163.5 |

| ①Lifting Heights | ②Guide Bush Size | A | B | L |
|------------------|------------------|------|----|-------|
| 10 | A18/20 | 10.5 | 25 | 73.5 |
| 20 | A18/20 | 20.5 | 35 | 93.5 |
| 30 | A18/20 | 30.5 | 45 | 113.5 |
| 50 | A18/20 | 50.5 | 75 | 163.5 |