

## ETVM3000

### Integrated proportional valve



#### Product Features

- Adopt integrated row installation, proportional valve plate design, easy installation, more efficient centralized gas supply;
- The exhaust muffler ensures a quiet working environment, and the side nozzle makes maintenance easy and simple;
- High-strength aluminum alloy bus bar, which is hard oxidized and durable;
- 2 ~ 8 standard specifications are optional, supporting non-standard customization to meet the needs of different applications;
- Inherit the excellent quality characteristics of standard ETV series to ensure stable performance and excellent quality.

#### How to order

Series No.	Valve body size	Port Size	Output pressure range	Input signal	Monitor output	Thread Type	Cable	Qty
ETVM: Integrated proportional valve	3000: 3000 Series	02: 1/4" 03: 3/8"	10: 0.1MPa 30: 0.5MPa 50: 0.9MPa	0: 4-20mA (confluent) 2: 0-5V 3: 0-10V	1: 1-5V 4: 4-20mA(confluent) 1: 1-5V 2: 24V NPN 3: 24V PNP	Blank: G P: PT T: NPT	Blank: Without cable L: Right angle type 2m S: Straight type 2m	2F: 2 stations 3F: 3 stations ..... 8F: 8 stations

#### Order Example:

ETVM series integrated proportional valve, valve body 3000, port size 1/4", output pressure 0-0.9MPa, input signal 0-10V, Monitor output 1-5V, thread type G, straight type 2m, 3 stations, ERP code is ETVM3000-025031-S-3F.

#### Manifold: How to order

Series No.	Port Size	Stations	Thread type
ETVM3000: Tandem proportional valve	02: 1/4" 03: 3/8"	2F: 2 stations 3F: 3 stations ..... 8F: 8 stations	Blank: G P: PT T: NPT

#### Order Example:

ETVM series Integrated proportional valve, valve body 3000 port size 1/4", 3 stations, thread type G ERP code is ETVM3000-02-2F.

#### How to order: Proportional Valve (Single Valve)

Series No.	Valve body size	Output pressure range	Input signal	Monitor output	Cable
ETVM: Integrated proportional valve	3000: 3000 Series	10: 0.1MPa 30: 0.5MPa 50: 0.9MPa	0: 4-20mA 2: 0-5V 3: 0-10V	1: 1-5V 4: 4-20mA 1: 1-5V 2: 24V NPN 3: 24V PNP	Blank: Without cable L: Right angle type 2m S: Straight type 2m

#### Order Example:

ETVM series integrated proportional valve, valve body 3000, output pressure 0-0.9MPa, input signal 0-10V, Monitor output 1-5V, without cable, ERP code is ETVM3000-5031

# ETV 3000 Integrated proportional valve



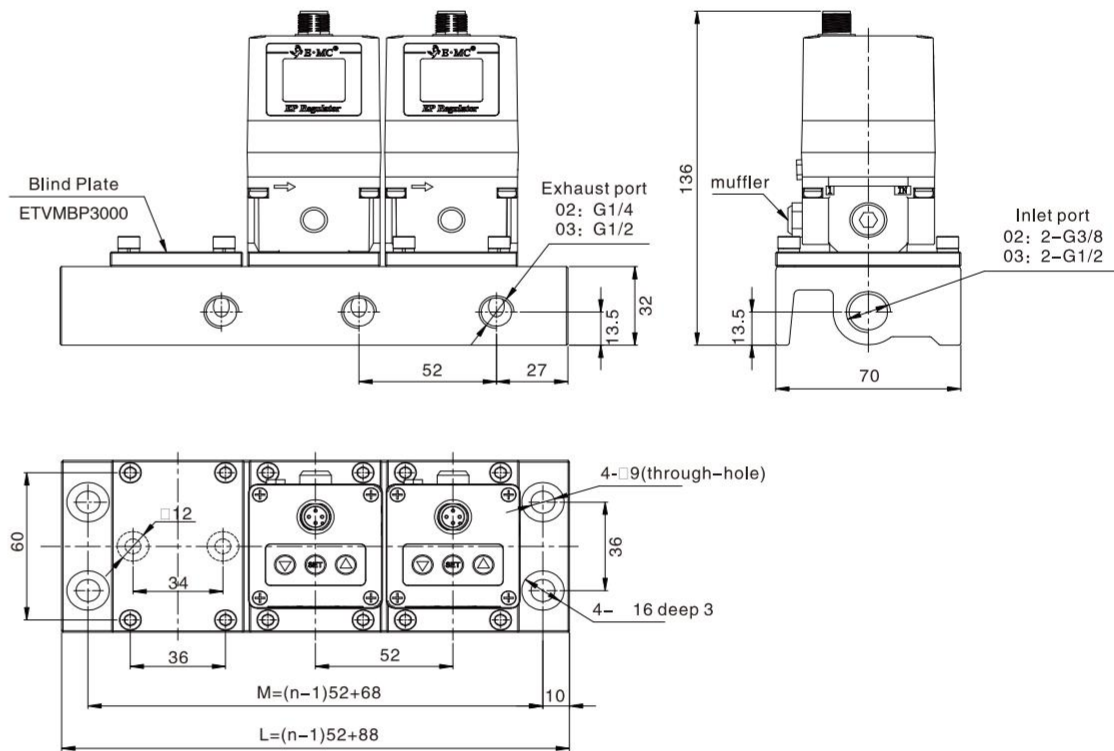
## How to order of accessories

Accessory name	Order Code
4-pins M12A standard Straighttype 2m	M124R-PVC-2M
4-pins M12A standard Right angletype 2m	M124RL-PVC-2M
Blind Plate	ETVMBP3000

### Remark:

The length of standard cable is 2m  
Any other length can be customized,  
the maximum length is 10 meters

## Main Dimension



Modelle Symbol	2 Stations	3 Stations	4 Stations	5 Stations	6 Stations	7 Stations	8 Stations
L	140	192	244	296	348	400	452
M	120	172	224	276	328	380	432