

EIW-K Series Filter Regulator with Backflow Function



EIW-K

Filter regulator with backflow function



How to Order?

Series No.	Valve body size	Type code	Port size	Drain Type	Pressure Gauge Code	Bracket code	Scale unit	Filter Precision	Thread type
EIW:Regulator filter with square gauge		K: Backflow type		Blank: Manual drain type C: Semi-auto drain D: Auto Drain type			1: Mpa 2: Bar 3: Psi	Blank: 25 μm 5M: 5 μm	Blank: G P: PT T: NPT
2000:2000 Series 3000:3000 Series 4000:4000 Series 5000:5000 Series		2000	01: 1/8" 02: 1/4"	4000 03: 3/8" 04: 1/2" 06: 3/4"		Blank: With bracket J: Without bracket			
		3000	02: 1/4" 03: 3/8"	5000 06: 3/4" 10: 1"		Blank: With pressure gauge N: Without pressure gauge			

Order Example Regulator filter with square gauge, 2000 series body, backflow type, 1/4" port, auto drain type, with gauge, with bracket, MPa, filter precision 5 μm, G thread, ERP code is:EIW2000K-02D15M.

- Note:**
1. Backflow type regulator filter must work separately; the knob must be upward, the air should be left port in and right port out.
 2. 2000 series must work in case of knob upward and left port in & right port out Right port in & left port out is not available currently.
 3. Standard 3000,4000,5000 series with backflow function must conform to above 1st point.If right port in & left port out was requested, EMC can customize it.

Specifications

Model	EIW2000K	EIW3000K	EIW4000K	EIW5000K
Working Medium	Clean air(After 40 μm filtration)			
Proof pressure(MPa)	1.5			
Working Pressure Range(MPa)	0.15~1.0			
Pressure Adjustment Range(MPa)	0.05~0.9			
Working temperature(°C)	-5~60 (No freezing)			
Filter precision	25 μm/5 μm optional			
Bowl material	PC(Polycarbonate)			
Bowl guard	None	Available		
Overpressure Exhaust Mechanism	With overflow			

Model	Rated flow(L/min) *	Port size *
EIW2000K-01	1078	1/8"
EIW2000K-02	1165	1/4"
EIW3000K-02	1998	1/4"
EIW3000K-03	2177	3/8"
EIW4000K-03	5108	3/8"
EIW4000K-04	5211	1/2"
EIW4000K-06	5900	3/4"
EIW5000K-06	6200	3/4"
EIW5000K-10	6400	1"

* Supply pressure 8.0Bar, Set pressure 6.3Bar, and pressure difference 1 Bar, testing result shows that standard type and backflow type have same flow rate.
* G, PT, NPT is optional.

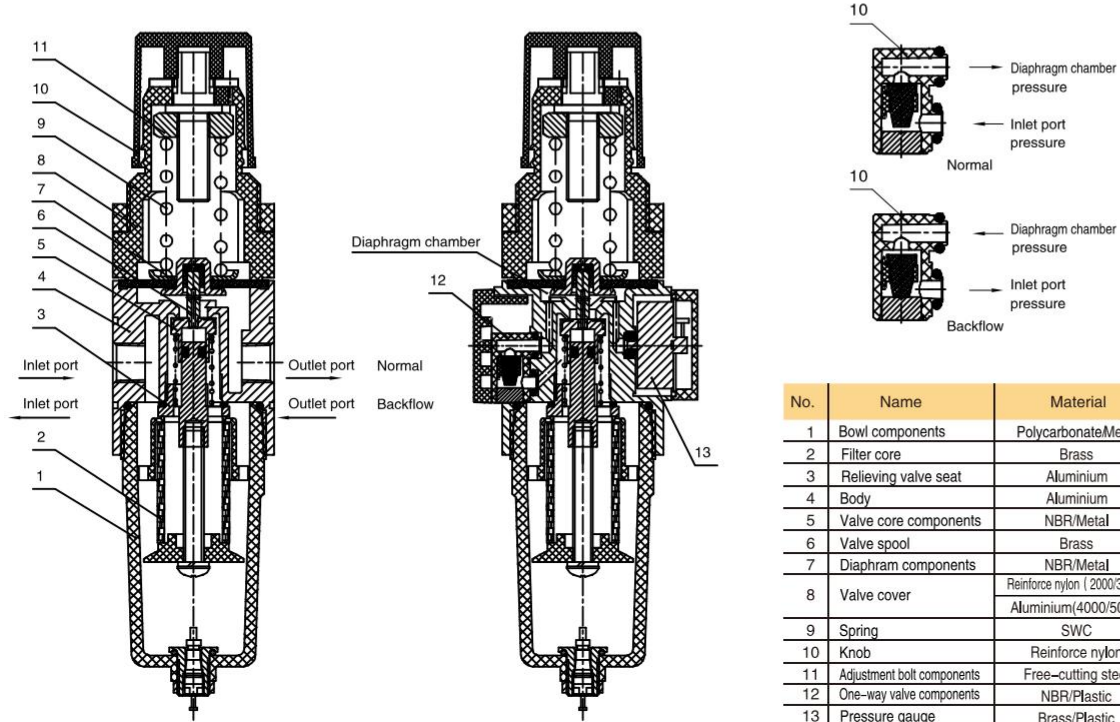
5
EIW-K

EIW-K Series Filter Regulator with Backflow Function

Construction and working principle

Working principle:

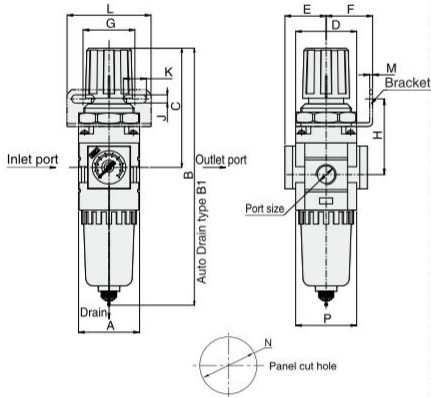
1. When inlet pressure is higher than set pressure, one-way valve 10 closes, it works as a normal regulator.
2. When the inlet pressure blocked, the one-way valve 12 opens, pressure in diaphragm chamber exhausts from the inlet side. When diaphragm chamber pressure goes down, diaphragm is pushed down by the spring force, The valve core will be open by valve rod, pressure at the outlet side exhaust through the inlet side, it works as a regulator with backflow function.



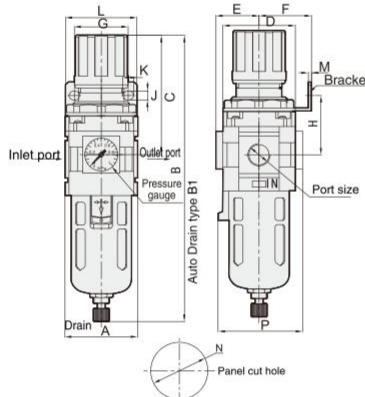
No.	Name	Material
1	Bowl components	Polycarbonate/Metal
2	Filter core	Brass
3	Relieving valve seat	Aluminium
4	Body	Aluminium
5	Valve core components	NBR/Metal
6	Valve spool	Brass
7	Diaphragm components	NBR/Metal
8	Valve cover	Reinforce nylon (2000/3000) Aluminium(4000/5000)
9	Spring	SWC
10	Knob	Reinforce nylon
11	Adjustment bolt components	Free-cutting steel
12	One-way valve components	NBR/Plastic
13	Pressure gauge	Brass/Plastic

Main Dimension

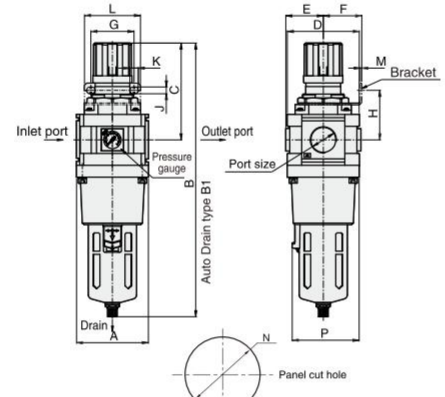
EIW2000K



EIW3000K-EIW4000K



EIW5000K



Model	Port size	A	B	B1	C	D	E	F	G	H	J	K	L	M	N	P
EIW2000K	1/8"-1/4"	40	168.5	205.5	78.5	40	27	30.5	33.5	49.5	5.4	15	55	2	33	40
EIW3000K	1/4"-3/8"	53	210.5	224.5	92	53	31.5	39	40	45.5	6.5	8	53	2	42	63
EIW4000K	3/8"-1/2"	70	264	267	113.5	70	40	48	53.5	54.5	8.5	10.5	70	2	52	73
EIW4000K-06	3/4"	90	343	348	116.5	90	47	48	53.5	62	8.5	10.5	70	2	52	84
EIW5000K	3/4"-1"	90	343	348	116.5	90	47	48	53.5	62	8.5	10.5	70	2	52	84