

EAVR

Vacuum Regulator



Product Feature

- Stable pressure regulation, small drift, good pressure characteristics, large flow.
- Multiple installation modes, Common with EA series bracket
- Press-in self-locking mechanism, prevent the change of pressure regulation caused by external interference.

How to Order?

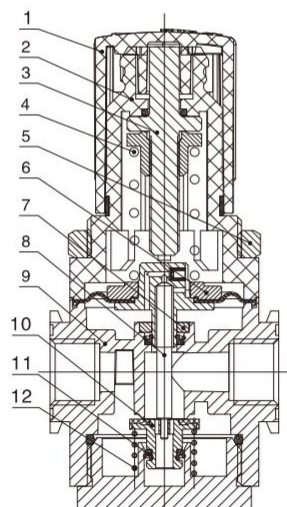
Code	Joint Pipe Bore	Pressure Gauge	Bracket	Thread Type Code
EAVR2000:EAVR2000 Vacuum Regulator	01:1/8" 02:1/4"	Blank: Not gauge (kPa&psi) N: without gauge	Blank: with bracket J:without bracket	Blank: G P: PT T: NPT
EAVR3000:EAVR3000 Vacuum Regulator	02:1/4" 03:3/8" 04:1/2"			

Order Example:EAVR2000 Vacuum Regulator, Joint pipe bore: 1/8 ", with attached with bracket , G teeth. Order code is:EAVR2000-01

Specifications

models	EAVR2000-01	EAVR2000-02	EAVR3000-02	EAVR3000-03	EAVR3000-04
Use the medium	Clean air(After 40 μ m filtration)				
Use the medium	1/8"	1/4"	1/4"	3/8"	1/2"
Maximum operating	-1.0Kpa				
Pressure range	-100~-1.3Kpa				
Ambient temperature and use fluid temperature	-20~70° C(No freezing)				
Atmospheric suction consumption	<0.6L/min(ANR)				
Mass(g)	185.5		437		

Internal Structure



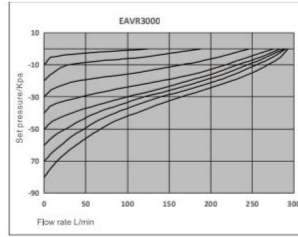
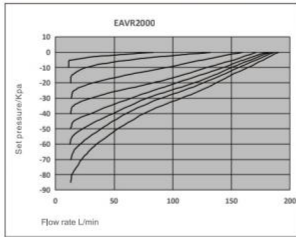
NO.	Part Name	Material
1	Pressure regulator handle	Pressure regulator handle
2	Pressure regulator cover	Pressure regulator cover
3	Adjusting screw assembly	Adjusting screw assembly
4	Pressure regulating spring	Pressure regulating spring
5	Octagonal hat	Octagonal hat
6	Main pressure regulating diaphragm component	Main pressure regulating diaphragm component
7	Baffle	Baffle
8	Valve stem	Valve stem
9	Valve body	Valve body
10	Valve core coating diagram	Valve core coating diagram
11	Piston seal ring	Piston seal ring
12	Spool spring	Spool spring

EAVR Series Vacuum Regulator

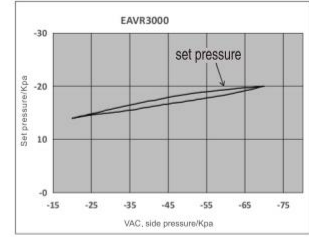
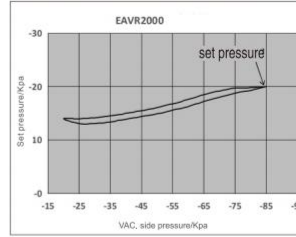


Characteristic Parameter Curve

Pressure characteristic curve

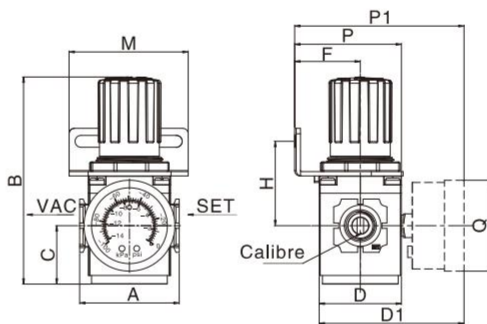


Flow rate characteristic curve

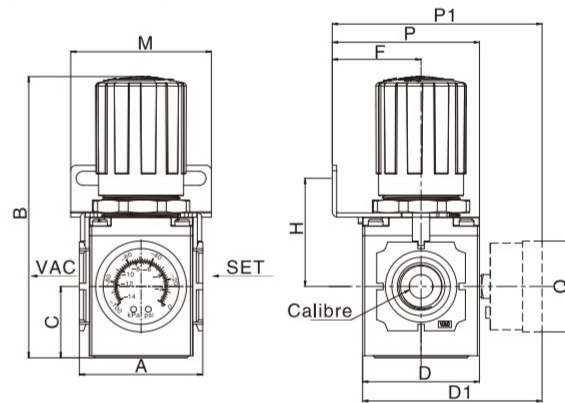


Overall Dimension

EAVR2000



EAVR3000



Model	Joint pipe bore	A	B	C	D	D1	F	H	M	P	Q	Overall dimension
EAVR2000	1/8" 1/4"	46	96	27	38	67	30.5	39	55	49.5	42	1/8"
EAVR3000	1/4" 3/8" 1/2"	57	130	33	54	83	41	50	65	68	42	1/8"

Installation and Use

1. Use it together with the safety circuit to avoid accidents in the event of power failure or vacuum pump, vacuum regulator failure.
2. During the check, please reduce the set pressure to 0 (atmospheric pressure), and the pressure of the vacuum pump is completely cut off before pulling down the pressure regulator guide.
3. The vacuum regulator cannot be used to adjust the pressure of the vacuum pump, such as the flow of the vacuum generator is smaller than the flow of the vacuum regulator, it is not suitable for use as a vacuum source.
4. The pressure button turns clockwise, atmospheric pressure changes to vacuum pressure, counterclockwise rotation, vacuum pressure changes to atmospheric pressure.
5. After the pressure is set, the pressure regulator needs to be locked, and the pressure regulator should be pressed down until the "click" sound is heard.
6. The pressure regulator is special for negative pressure, and positive pressure cannot be applied.