

EAS Manually Operated Check Valve



EAS

Manually Operated Check Valve



Product Features

- Modular Design, could combine with EA3000 series by using the bracket.
- This valve can be used as a manual 3/2 ways check valve
- Switching position (EXH./SUP.) is immediately recognizable
- Standards for operator installation: when repairing and maintaining machinery, Residual pressure relief valve can be used to eliminate residual pressure while closing the air source. In this case, unintentional manipulation by a third party can cause a sudden movement of the rear line pressure, cylinders, etc., which can lead to injury. Therefore, the provisions: all used for this purpose must be locked, to prevent the third party unintentional operation resulting in damage to the operator;
- In addition to the standard type, a pressure gauge type is available (square or round), If needs, please contact E.MC for customization

How to Order?

Series No.	Port size	Bracket Code	Thread Type
EAS2000 EAS3000 EAS4000	2000 01:1/8" 02:1/4" 02:1/4" 3000 03:3/8" 04:1/2" 03:3/8" 4000 04:1/2" 06:3/4"	Blank: with bracket J: No bracket	Blank: G P: PT T: NPT

Order Example:

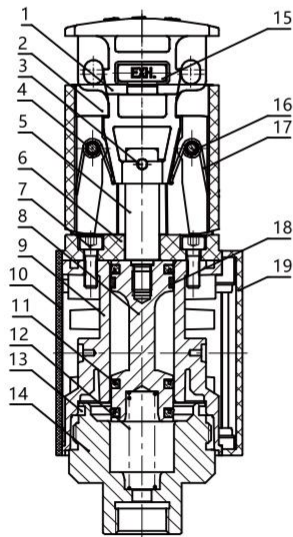
EAS3000 manually operated check valve, 1/4" port size, with bracket, G thread
ERP code is EAS3000-02

Specifications

Model	EAS2000-01	EAS2000-02	EAS3000-02	EAS3000-03	EAS3000-04	EAS4000-03	EAS4000-04	EAS4000-06
Working medium	Clean air(After 40 μm filtration)							
Port size	1/8"	1/4"	1/4"	3/8"	1/2"	3/8"	1/2"	3/4"
EXH. port size	1/4		3/8			1/2		
Guaranteed pressur(MPa)	1.5							
Working pressure range(MPa)	0 ~ 0.9							
Acting type	Manual							
Positions	3/2ways							
Working temperature(°C)	-5~60(No freezing)							
Weight(g)	144	141	284	277	270	669	659	639

EAS2000 series and EAS4000 series are coming soon.

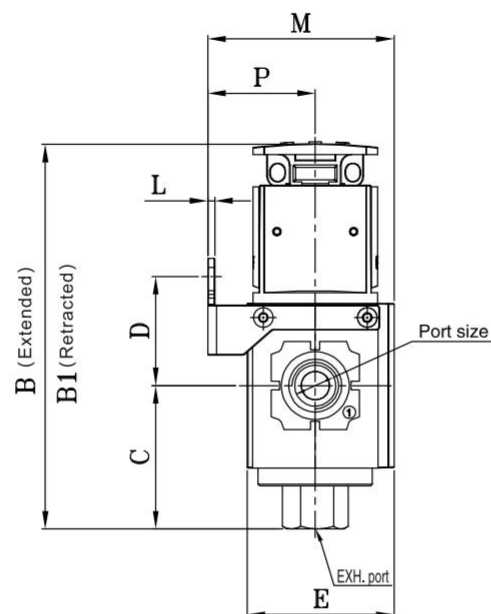
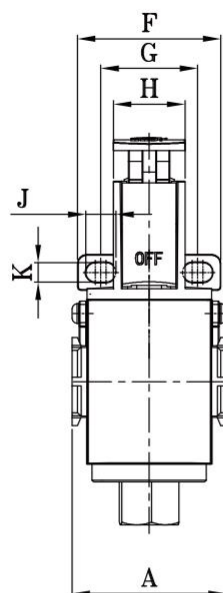
Internal Structure



No.	Name	Materials
1	The locking handle	ABS
2	Push Button	ABS
3	Handle pin	Stainless steel
4	Scroll casing	Stainless steel
5	Connecting rod	Aluminium Alloy
6	Handle bracket	ABS
7	Hexagon socket cap screws	Medium Carbon Steel
8	Spool	Aluminium Alloy
9	Valve body	Aluminium Alloy
10	Rear panel	ABS
11	Piston seal	NBR
12	Return spring	Stainless steel
13	O-ring	NBR
14	Seal set	Aluminium Alloy
15	Sticker	Plastics
16	Button pin	Stainless steel
17	Returning torsion spring	Stainless steel
18	Wear Ring	ABS
19	Plate	ABS

Main Dimension

EAS2000

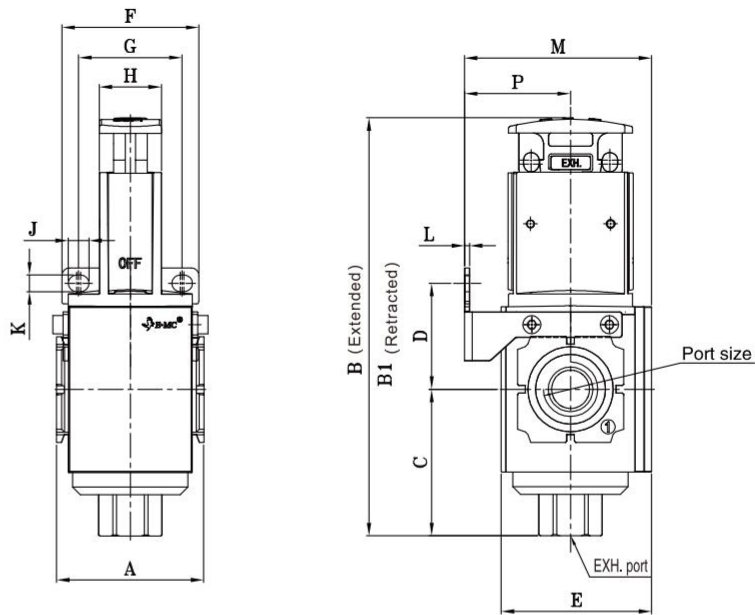


EAS Manually Operated Check Valve

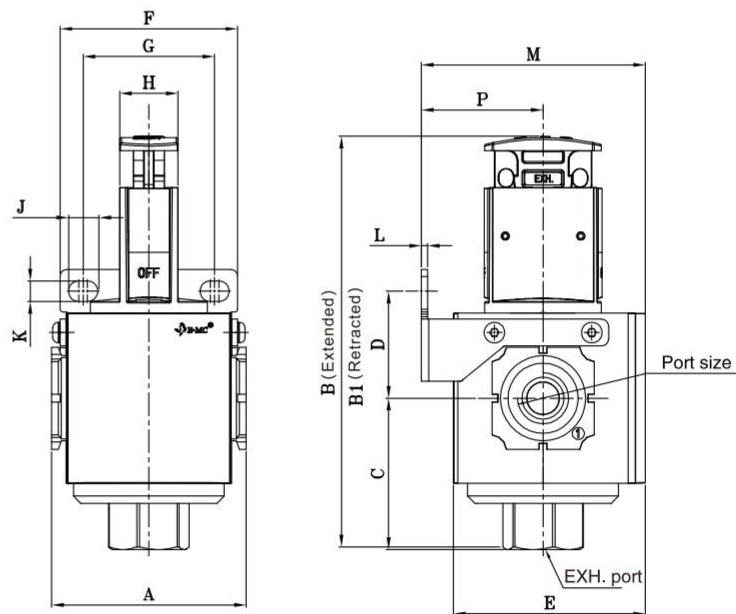


Main Dimension

EAS3000



EAS4000



Model	Port size	A	B	B1	C	D	E	F	G	H	J	K	L	M	P	EXH. port
EAS2000	1/8"-1/4"	43	107.5	99.5	40	30.5	41	40	27	20	8.4	5.4	2	52	30	1/4"
EAS3000	1/4"-1/2"	56.8	161.7	146.7	56.7	41	58.2	53	40	24	8	6.5	2	72.4	41	3/8"
EAS4000	3/8"-3/4"	80	169.7	154.7	62.2	44	78.9	73	54	24	12	8.5	2.5	92.1	50	1/2"