

# EAFM/EAFD Series High Cleaning Mist Separator

## EAFM/EAFD

High Cleaning Mist Separator



### Product Features

1. Low pressure loss, filtration efficiency over 99%.
2. Filter precision 0.3 $\mu$ m, 0.01 $\mu$ m optional.
3. Manual, Semi-auto, Auto three drain type optional.
4. Single unit optional use fixed bracket installation, combination unit can match with EMC EA series F.R.L or F.R.L.

### Specification

Model	EAFM/EAFD2000-01	EAFM/EAFD2000-02	EAFM/EAFD3000-02	EAFM/EAFD3000-03	EAFM/EAFD3000-04	EAFM/EAFD4000-03	EAFM/EAFD4000-04	EAFM/EAFD4000-06
Working Medium	Air							
Port Size	1/8"	1/4"	1/4"	3/8"	1/2"	3/8"	1/2"	3/4"
Guaranteed Pressure(Mpa)	1.5							
Max.Working Pressure(Mpa)	0.15~1.0							
Filter precision ( $\mu$ m)	EAFM	0.3 $\mu$ m						
	EAFD	0.01 $\mu$ m						
Working Temperature( $^{\circ}$ C)	-5~60(No freezing)							
Weight (g)	120		330			610		

### How to order

Series No.	Body Size — Port Size	Drain Type	Bracket Code	Thread Code
EAFM:EAFM Series high cleaning mist separator (Filter precision 0.3 $\mu$ m)	2000	01: 1/8" 02: 1/4"	Blank: With bracket J: No bracket	Blank: G P: PT T: NPT
EAFD:EAFD Series high cleaning mist separator (Filter precision 0.01 $\mu$ m)	3000	02: 1/4" 03: 3/8" 04: 1/2"		
	4000	03: 3/8" 04: 1/2" 06: 3/4"		

**How to order:** EAFM Series high cleaning mist separator, body size 3000, port size 1/4, manual drain type, with bracket, G thread,

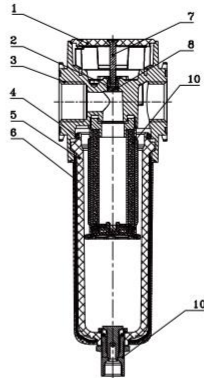
order code: EAFM3000-02

Note①: The EAFM/EAFD2000 series is only available in manual drainage models.

# EAFM/EAFD Series High Cleaning Mist Separator



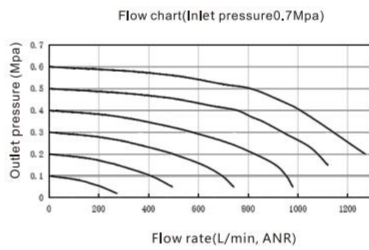
## Internal Structure



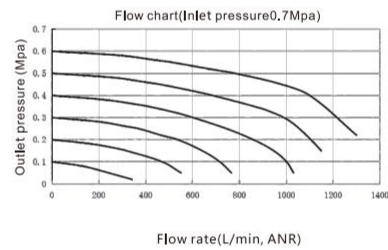
NO.	Part Name	Material
1	Valve	Plastics
2	Seal pillar	Aluminum alloy
3	Valve body	Aluminum alloy
4	O-ring	NBR
5	Water bowl	Plastics
6	Protection guard	Plastics
7	Screw	Mild steel
8	O-ring	NBR
9	Filter element	Modular
10	Drain modular	Modular

## Flow Chart (Typical Value)

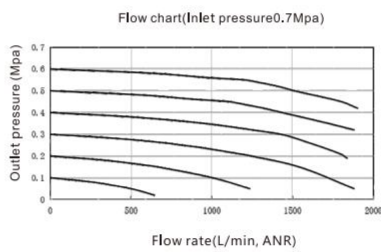
### EAFD2000



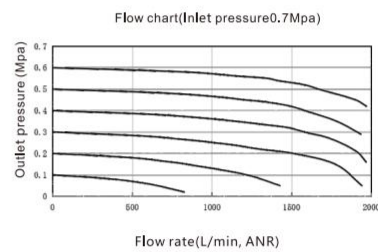
### EAFM2000



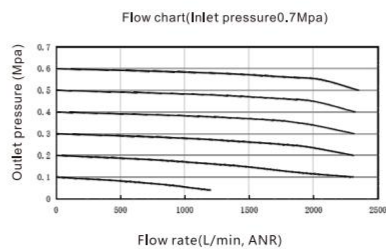
### EAFD3000



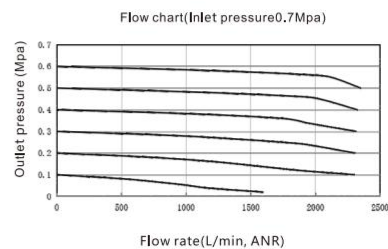
### EAFM3000



### EAFD4000



### EAFM4000

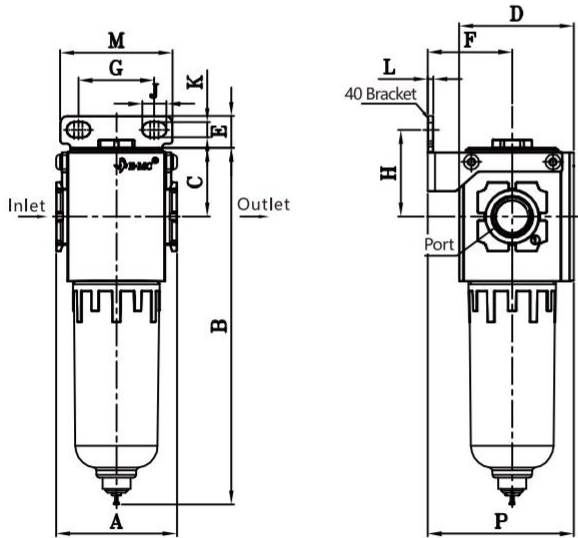


5  
EAFM  
EAFD

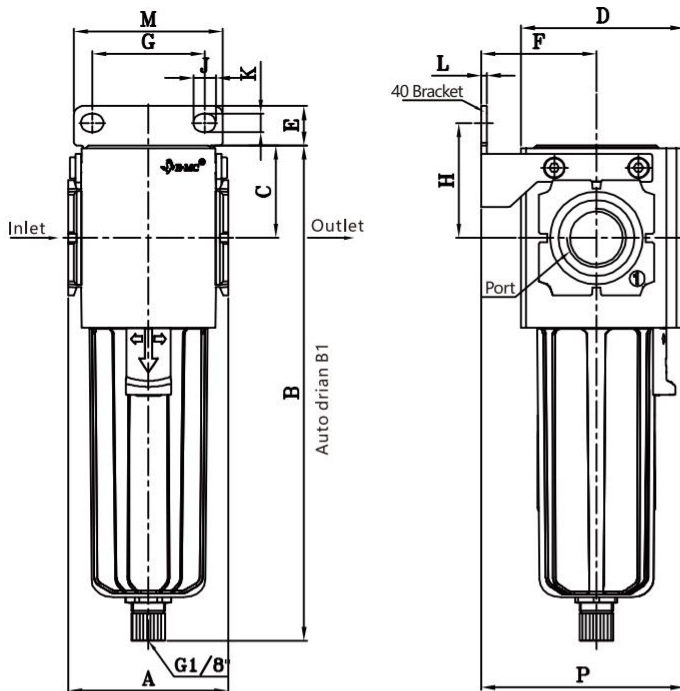
# EAFM/EAFD Series High Cleaning Mist Seperator

## Main Dimension

EAFM/EAFD2000



EAFM4000/EAFD3000



Model	Port Size	A	B	B1	C	D	E	F	G	H	J	K	L	M	P
EAFM/EAFD2000	1/8"-1/4"	43	127.1	-	24.5	41	11.5	30	27	31	8.4	5.4	2	40	52
EAFM/EAFD3000	1/4"-1/2"	57	176.5	173.5	33	58.2	14	41	40	41	8	6.5	2	53	72.4
EAFM/EAFD4000	3/8"-3/4"	80	200.8	195.1	36	78.9	17	50	54	44	12	8.5	2.5	73	92.1