

## EAF2000 EAF3000 EAF4000

Filter



### Specifications

| Model                       | EAF2000-01                         | EAF2000-02 | EAF3000-02 | EAF3000-03 | EAF3000-04 | EAF4000-03 | EAF4000-04 | EAF4000-06 |
|-----------------------------|------------------------------------|------------|------------|------------|------------|------------|------------|------------|
| Working Medium              | Clean Air(after 40 μ m filtration) |            |            |            |            |            |            |            |
| Proof Pressure(MPa)         | 1.5                                |            |            |            |            |            |            |            |
| Working Pressure Range(MPa) | 0.15~1.0                           |            |            |            |            |            |            |            |
| Working Temperature(°C)     | -5~60 ( No freezing )              |            |            |            |            |            |            |            |
| Filter Precision            | 40 μ m/5 μ m optional              |            |            |            |            |            |            |            |
| Container Material          | Turbine No.1 Oil, ISO VG32         |            |            |            |            |            |            |            |
| Bowl Material               | PC(Polycarbonate)                  |            |            |            |            |            |            |            |
| Water Bowl Capacity(CC)     | 11                                 |            | 40         |            |            | 75         |            |            |
| Weight(g)                   | 117                                |            | 315        |            |            | 578        |            |            |

### How to Order?

| Series No.   | Port Size   | Drain Type  | Bracket Code                         | Filter Precision           | Thread Type                 |
|--|---|---|--------------------------------------|----------------------------|-----------------------------|
| EAF2000:EA2000 series filter<br>EAF3000:EA3000 series filter<br>EAF4000:EA4000 series filter | 2000 01: 1/8"<br>----- 02: 1/4"<br>----- 02: 1/4"<br>3000 03: 3/8"<br>----- 04: 1/2"<br>----- 03: 3/8"<br>4000 04: 1/2"<br>----- 06: 3/4" | Blank: Manual drain type<br>C: Semi-anto drain<br>D: Auto Drain type① | Blank: With bracket<br>J: No bracket | Blank: 40 μ m<br>5M: 5 μ m | Blank: G<br>P: PT<br>T: NPT |

#### Order Example:

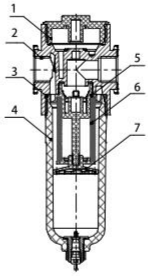
EA series Filter, port size of 1/2", differential pressure drain type, with bracket, filter precision 5 μ m, G thread, the ERP code is: EAF3000-04C5M

Remark: ①2000 series without automatic drainage type

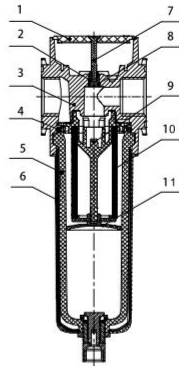
# EAF Series Air Preparation Unit



## Internal Structure



| No. | Part Name                 | Material       |
|-----|---------------------------|----------------|
| 1   | Valve seat cover          | Plastics       |
| 2   | Valve body                | Aluminum alloy |
| 3   | O-ring                    | NBR            |
| 4   | Water bowl                | Plastics       |
| 5   | Water separator propeller | Plastics       |
| 6   | Filter element            | Plastics       |
| 7   | Water baffle              | Plastics       |

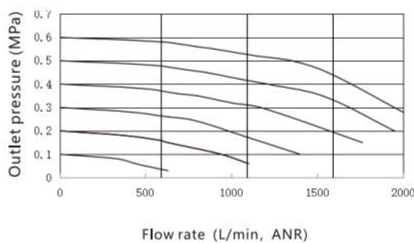


| No. | Part Name                 | Material       |
|-----|---------------------------|----------------|
| 1   | Valve seat cover          | Plastics       |
| 2   | Seal Pillar               | 606 1          |
| 3   | Valve body                | Aluminum alloy |
| 4   | Seal                      | NBR            |
| 5   | Water bowl                | Plastics       |
| 6   | Protection Guard          | Plastics       |
| 7   | Screw                     | Mild steel     |
| 8   | O-ring                    | NBR            |
| 9   | Water separator propeller | Plastics       |
| 10  | Filter element            | Plastics       |
| 11  | Water baffle              | Plastics       |

## Flow Chart

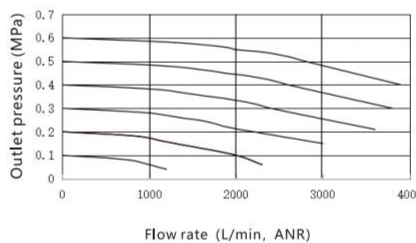
### EAF2000

Flow chart(Inlet pressure 0.7Mpa)



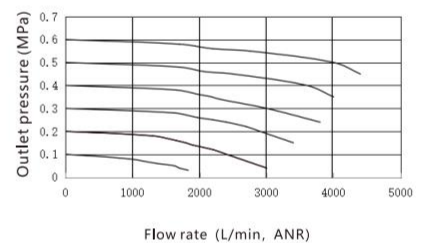
### EAF3000

Flow chart(Inlet pressure 0.7Mpa)

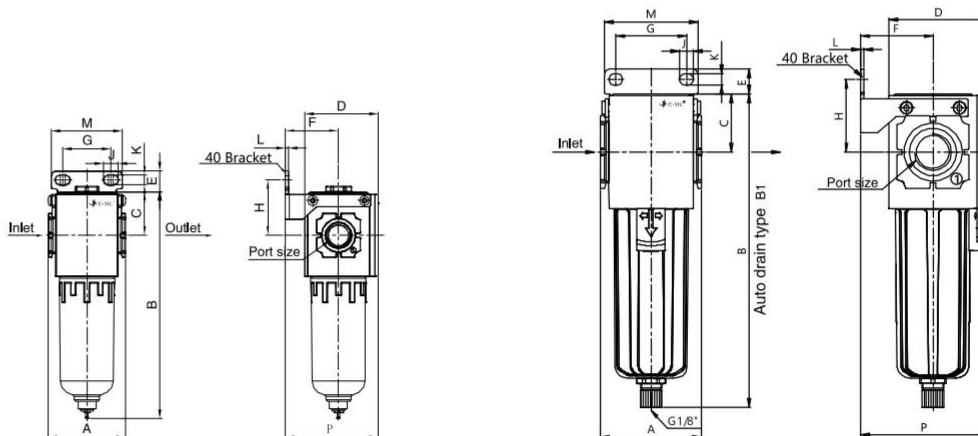


### EAF4000

Flow chart(Inlet pressure 0.7Mpa)



## Main Dimensions



| Model   | Port Size        | A  | B     | B1    | C    | D    | E    | F  | G  | H  | J   | K   | L   | M  | P    |
|---------|------------------|----|-------|-------|------|------|------|----|----|----|-----|-----|-----|----|------|
| EAF2000 | 1/8", 1/4"       | 43 | 127.1 | -     | 24.5 | 41   | 11.5 | 30 | 27 | 31 | 8.4 | 5.4 | 2   | 40 | 52   |
| EAF3000 | 1/4", 3/8", 1/2" | 57 | 176.5 | 173.5 | 33   | 58.2 | 14   | 41 | 40 | 41 | 8   | 6.5 | 2   | 53 | 72.4 |
| EAF4000 | 3/8", 1/2", 3/4" | 80 | 200.8 | 195.1 | 36   | 78.9 | 17   | 50 | 54 | 44 | 12  | 8.5 | 2.5 | 73 | 92.1 |