

AEL/BEL Lubricator



How to Order?

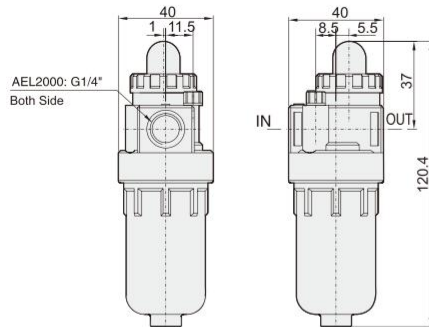
| Series No. | Type Code | Body Size | Bracket Code | Thread Type |
|--|---------------|--|--------------------------------------|-----------------------------|
| AE: Small body size without bowl guard | L: Lubricator | 2000: 1/4" 2000: 1/4" 3000: 3/8" 4000: 1/2" | Blank: With bracket J: No bracket | Blank: G P: PT T: NPT |
| BE: Larger body size with bowl guard | | | | |

Order Example:

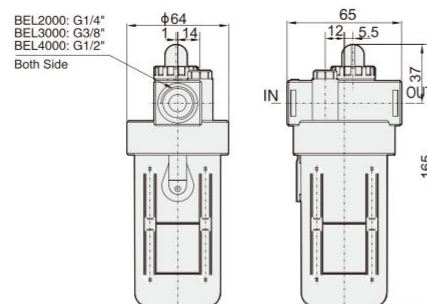
AE series Lubricator, 1/4" body size, with bracket, PT thread, ERP code is: AEL 2000-P

Main Dimension

AEL 2000



BEL2000-4000



Specifications

| Model | AEL2000 | BEL2000 | BEL3000 | BEL4000 |
|--------------------------------------|----------------------------|---------|---------|---------|
| Working medium | Air | | | |
| Port size | G1/4 | G1/4 | G3/8 | G1/2 |
| Guaranteed. pressure resistance(MPa) | 1.5 | | | |
| Working temperature(°C) | 5~60 | | | |
| Lubricator bowl capacity | 25CC | 90CC | | |
| Recommend oil | ISO VG32 or equivalent oil | | | |
| Weight (g) | 170g | 250g | | |