

AEFR/BEFR

F&R



How to Order?

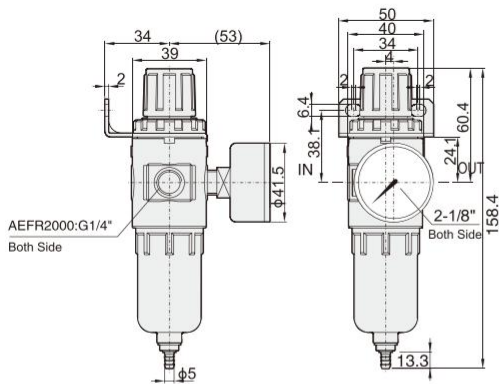
Series No.	Type Code	Body Size	Pressure Gauge Code	Bracket Code	Scale Unit	Thread Type
AE: Small body size without bowl guard	FR: Regulator+Filter	2000: 1/4" 2000: 1/4" 3000: 3/8" 4000: 1/2"	Blank: With pressure gauge N: No pressure gauge	Blank: With bracket J: No bracket	4: Mpa/Psi(Default) 5: Bar/Psi	Blank: G P: PT T: NPT

Order Example:

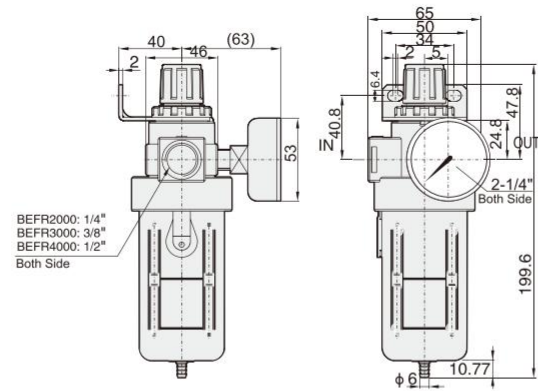
AE series Filter+regulators, 1/4" body size, Mpa/Psi pressure scale unit, PT thread, ERP code is: AEFR2000-4-P

Main Dimension

AEFR 2000



BEFR2000-4000



Specifications

Model	AEFR2000	BEFR2000	BEFR3000	BEFR4000
Working medium	Air			
Port size	G1/4	G1/4	G3/8	G1/2
Filter precision	40 μm (5, 50 μm is optional)			
Adjusting pressure range (MPa)	0.15-0.85			
Max. adjusting pressure (MPa)	1.0			
Guaranteed. pressure (MPa)	1.5			
Working temperature(°C)	5-60			
Filter bowl capacity (CC)	15		60	
Weight (g)	260		400	