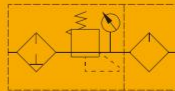


# AEFC/BEFC Series Air Preparation Unit



## AEFC/BEFC

FR.L



### How to Order?

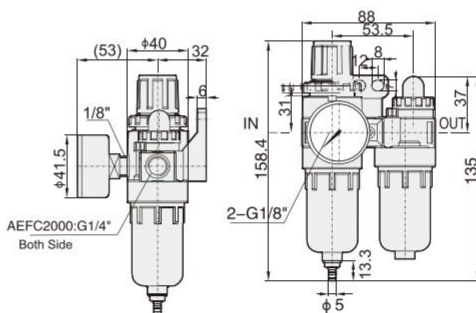
Series No.	Type Code	Body Size	Pressure Gauge Code	Bracket Code	Scale Unit	Thread Type
AE: Small body size without bowl guard	FC: Filter & Regulator +lubricator	2000: 1/4" 2000: 1/4"	Blank: With pressure gauge N: Without pressure gauge	Blank: With bracket J: Without bracket	4: Mpa/Psi(Default) 5: Bar/Psi	Blank: G P: PT T: NPT
BE: Larger body size with bowl guard		3000: 3/8" 4000: 1/2"				

#### Order Example:

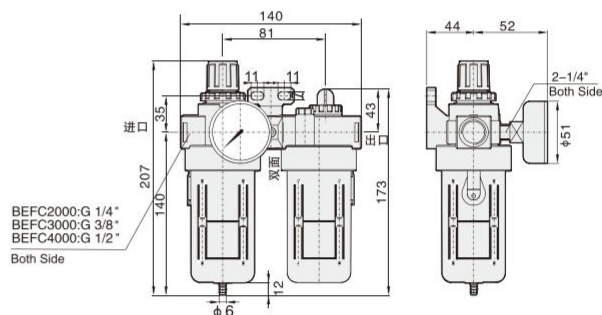
AE series two units, 2000 body size, with gauge, with bracket, Mpa/Psi pressure scale unit, PT thread, ERP code is: AEFC2000-4-P

### Main Dimension

AEFC2000



BEFC2000-4000



### Specifications

Model	AEFC2000	BEFC2000	BEFC3000	BEFC4000	
Working medium	Air				
Port size	G1/4	G1/4	G3/8	G1/2	
Filter precision	40 μm ( 5, 40 μm is optional )				
Adjusting pressure range (MPa)	0.15-0.85				
Max. adjusting pressure (MPa)	1.0				
Guaranteed pressure (MPa)	1.5				
Working temperature(°C)	5-60				
Filter bowl capacity (CC)	15		60		
Lubricator bowl capacity (CC)	25		90		
Recommend oil	ISO VG32 or equivalent oil				
Weight (g)	500		700		
Components	Filter_Regulator	AEFR2000	BEEF2000	BEFR3000	BEFR4000
	Lubricator	AEL2000	BEL2000	BEL3000	BEL4000