

# ZS-H Series 2/2 Solenoid Valve(Normal Open)



## ZS-H

2/2 Solenoid Valve (N.O.)



ZS-10H

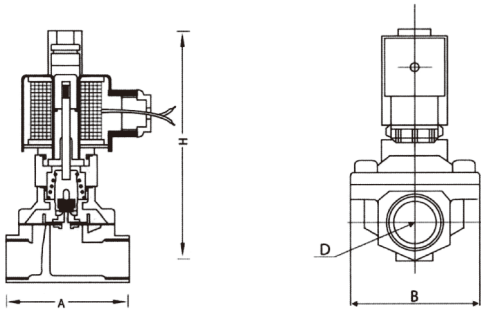


ZS-15HS2

### Product Features

- \* 2/2 ways Solenoid valve, Normally open. Copper and stainless steel 304 valve selection
- \* Multiple seals are available for different medium
- \* Wide size range from 3/8" to 2", with both thread and flange connection
- \* Diaphragm pilot solenoid valve, with lower working pressure
- \* To reduce the power consumption of 80% energy-saving

### Main Dimension



### Specifications

Port size	Orifice (mm)	CV value	Min. pressure	Pressure difference ( Bar )						The maximum temperature of fluid (°C)	ZSH			ZSHN		Order code 220VAC 50/60HZ		Main dimension Length x Width x Height A x B x H (mm)
				Max. working pressure							VA	W	W	Brass	Stainless steel 304			
				Air	Gas	Water, Hot water, Liquid	Light oil ≤20CST	AC	DC							AC	DC	
3/8"	4.0	0.6	0	5	3	5	3	3	3	80	33	20	4	ZS10H-040E2	ZS10H-040E2S2	52.5 x 32.5 x 115		
	4.0	0.6	0	5	3	5	3	-	-	120	33	20	4	ZS10H-040E2E	ZS10H-040E2S2E	52.5 x 32.5 x 115		
	4.0	0.6	0	5	3	5	3	3	3	120	33	20	4	ZS10H-040E2V	ZS10H-040E2S2V	52.5 x 32.5 x 115		
	16	4.8	0	5	3	3	5	3	3	80	33	20	4	ZS10H-160E2	ZS10H-160E2S2	69 x 57 x 135		
	16	4.8	0	5	3	3	5	-	-	120	33	20	4	ZS10H-160E2E	ZS10H-160E2S2E	69 x 57 x 135		
	16	4.8	0	5	3	3	5	3	3	120	33	20	4	ZS10H-160E2V	ZS10H-160E2S2V	69 x 57 x 135		
1/2"	16	4.8	0	5	3	5	3	3	3	80	33	20	4	ZS15H-160E2	ZS15H-160E2S2	69 x 57 x 135		
	16	4.8	0	5	3	5	3	-	-	120	33	20	4	ZS15H-160E2E	ZS15H-160E2S2E	69 x 57 x 135		
	16	4.8	0	5	3	5	3	3	3	120	33	20	4	ZS15H-160E2V	ZS15H-160E2S2V	69 x 57 x 135		
	20	7.6	0	5	3	5	3	3	3	80	33	20	4	ZS20HE2	ZS20HE2S2	73 x 57 x 142		
	20	7.6	0	5	3	5	3	-	-	120	33	20	4	ZS20HE2E	ZS20HE2S2E	73 x 57 x 142		
	20	7.6	0	5	3	5	3	3	3	120	33	20	4	ZS20HE2V	ZS20HE2S2V	73 x 57 x 142		
3/4"	25	12	0	5	3	5	3	3	3	80	33	20	4	ZS25HE2	ZS25HE2S2	99 x 77.5 x 150		
	25	12	0	5	3	5	3	-	-	120	33	20	4	ZS25HE2E	ZS25HE2S2E	99 x 77.5 x 150		
	25	12	0	5	3	5	3	3	3	120	33	20	4	ZS25HE2V	ZS25HE2S2V	99 x 77.5 x 150		
	32	24	0	5	3	5	3	3	3	80	70	55	-	ZS32HE2	ZS32HE2S2	112 x 86.5 x 180		
	32	24	0	5	3	5	3	-	-	120	70	55	-	ZS32HE2E	ZS32HE2S2E	112 x 86.5 x 180		
	32	24	0	5	3	5	3	3	3	120	70	55	-	ZS32HE2V	ZS32HE2S2V	112 x 86.5 x 180		
1-1/4"	40	29	0	5	3	5	3	3	3	80	70	55	-	ZS40HE2	ZS40HE2S2	123 x 94 x 190		
	40	29	0	5	3	5	3	-	-	120	70	55	-	ZS40HE2E	ZS40HE2S2E	123 x 94 x 190		
	40	29	0	5	3	5	3	3	3	120	70	55	-	ZS40HE2V	ZS40HE2S2V	123 x 94 x 190		
	50	48	0	5	3	5	3	3	3	80	70	55	-	ZS50HE2	ZS50HE2S2	168 x 123 x 216		
	50	48	0	5	3	5	3	-	-	120	70	55	-	ZS50HE2E	ZS50HE2S2E	168 x 123 x 216		
	50	48	0	5	3	5	3	3	3	120	70	55	-	ZS50HE2V	ZS50HE2S2V	168 x 123 x 216		
Flange 4 hole	25	12	0	5	3	5	3	3	3	80	57	32	6	-	ZSF25HE2S2	140 x 115 x 180		
	25	12	0	5	3	5	3	-	-	120	57	32	6	-	ZSF25HE2S2E	140 x 115 x 180		
	25	12	0	5	3	5	3	3	3	120	57	32	6	-	ZSF25HE2S2V	140 x 115 x 180		
	32	24	0	5	3	5	3	3	3	80	70	55	-	-	ZSF32HE2S2	152 x 135 x 235		
	32	24	0	5	3	5	3	-	-	120	70	55	-	-	ZSF32HE2S2E	152 x 135 x 235		
	32	24	0	5	3	5	3	3	3	120	70	55	-	-	ZSF32HE2S2V	152 x 135 x 235		
	40	29	0	5	3	5	3	3	3	80	70	55	-	-	ZSF40HE2S2	152 x 145 x 240		
	40	29	0	5	3	5	3	-	-	120	70	55	-	-	ZSF40HE2S2E	152 x 145 x 240		
	40	29	0	5	3	5	3	3	3	120	70	55	-	-	ZSF40HE2S2V	152 x 145 x 240		
	50	48	0	5	3	5	3	3	3	80	70	55	-	-	ZSF50HE2S2	195 x 160 x 255		
	50	48	0	5	3	5	3	-	-	120	70	55	-	-	ZSF50HE2S2E	195 x 160 x 255		
	50	48	0	5	3	5	3	3	3	120	70	55	-	-	ZSF50HE2S2V	195 x 160 x 255		