

Universal Convertible 3/2 and 5/2 NAMUR Solenoid Valve

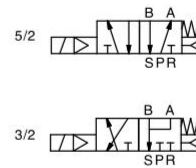


1

Universal
Convertible

Universal Convertible

NAMUR Solenoid Valve (3/2,5/2)



How to Order?

Series No.	Ways	Valve Body Size	Controls	Port Size	Valve Type	Exhaust Type	ID Code	Voltage	Connection Mode	Cover Color	Valve Color	Thread Type
V	Universal convertible 3/2 and 5/2	3:3 series	1: Single control	08: 1/4" M: NAMUR type		R: Outer exhaust G: Inner exhaust	Blank: Standard type A: Amisco coil E1: AC110V E2: AC220V E3: AC380V E4: DC24V E5: DC12V	E6: AC36V E7: AC24V E8: DC110V E9: DC48V E10: DC36V	Blank: DIN connector F: Flying leads	Blank: Black Blank: Brown translucent J: Colorless and translucent		Blank: G P: PT T: NPT

Order Example:

Universal convertible 3/2 and 5/2 NAMUR solenoid valve, 3 series valve body, single control, port size 1/4", inner exhaust type, standard coil, AC220V, flying leads coil, black color valve, G thread, ERP code is: V523231-08MGE2F

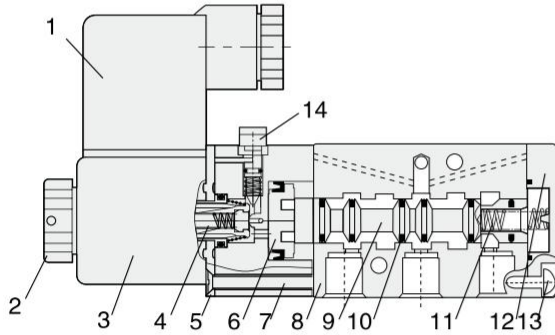
Specifications

Model No.	V523231-08MR	V523231-08MG
Port size	1/4 ①	
Sectional area(mm ²)	25(CV=1.40)	
Working medium	Clean air(After 40 μ m filtration)	
Acting type	Pilot type	
Flow rate	At 5/2 way: 1830L/min; At 3/2 way: 1090L/min	
Lubrication	Not required	
Working pressure(psi)	21.8~116	
Guaranteed pressure(psi)	174	
Working temperature	-5~60°C (23~140°F)(No freezing)	
Voltage range	-15%~10%	
Power consumption	DC:3.0W ; AC:4.0VA	
Insulation class	Class F	
Protective class	IP65(DIN40050)	
Max. acting frequency	5 Cycles/s	
Activate time(s)	<0.05	
Accessories	1pc D20X16 O - Ring, 1pc position seal plate, 2pcs M5X30 mounting bolts	
Weight(g)	340	460

① G、PT、NPT thread type is optional.

Internal Structure

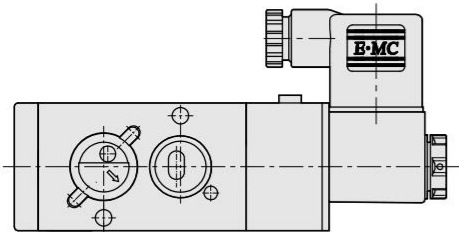
Single Solenoid Valve



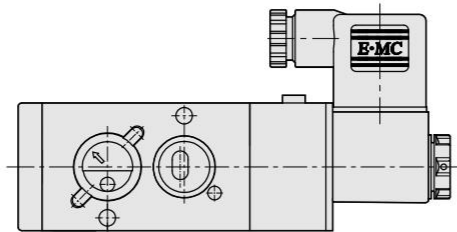
NO.	Part Name	Material
1	Connector	Engineered plastics
2	Nut	POM+Carbon steel
3	Coil	Cu
4	Pilot units	
5	Plate	Carbon steel
6	Piston	POM
7	Screw	Carbon steel
8	Valve body	Aluminum alloy
9	Spool	Aluminum alloy
10	O-ring	HNBR
11	Spring	Stainless steel
12	Rear cover	Zinc alloy
13	Screw	Carbon steel
14	Manual override	Engineered plastics

How to Mount?

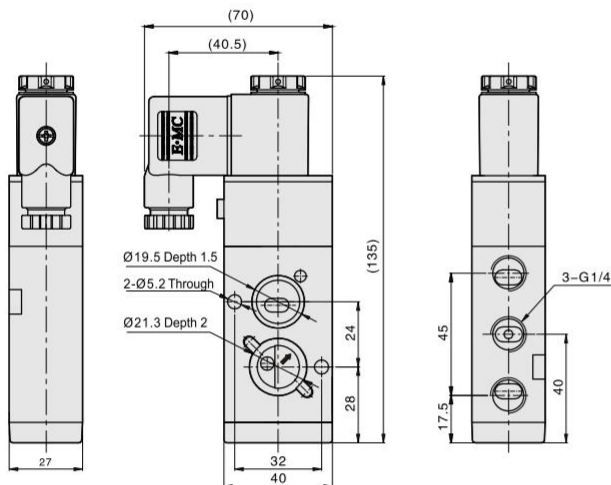
2/5 way



2/3 way



Main Dimension



Note: The boundary dimensions of MG series and MR series are same.