

SVY Series Solenoid Valve&Valve Terminal



SVY

Solenoid Valve&Valve Terminal

Graphic symbols: same as SV valve symbols



Product Features

- Centralized air inlet and exhaust, available for top ported.
- The connector upwards for quick and easy installation of wiring.
- 5/2 ways, 5/3 ways, 5/4 ways(2pcs 3/2ways)can be integrated on same valve terminal.
- 0.8W per coil.

How to Order?

Solenoid Valve

Series NO.	ID Code	Ports	Positions	Body Size	Controls	Original Status	Port Size	Voltage	Manual Button	Wiring	Thread Type
S: Standard	VY: Piping on valve	5:5 ports	2: 2 position 3: 3 position 4: 4 position dual	1:1 series 2:2 series 3:3-port valve	1:Signal control 2:Double control		M5:M5 M7:M7 06:1/8" (Remarks: Plate valve No such option)	E4:DC24V	Blank: Press & Rotate Lock H: Without Lock		Blank:G
										Blank: None 0.3M: 0.3m wiring 0.6M: 0.6m wiring 1M: 1m wiring	

Order Example: S series standard type, piping on valve, 2 station 5 port, 1 series valve body, single control, M5 port, DC24V, 0.3 meter wiring. The ERP code is :SVY5211-M5E4-0.3M..

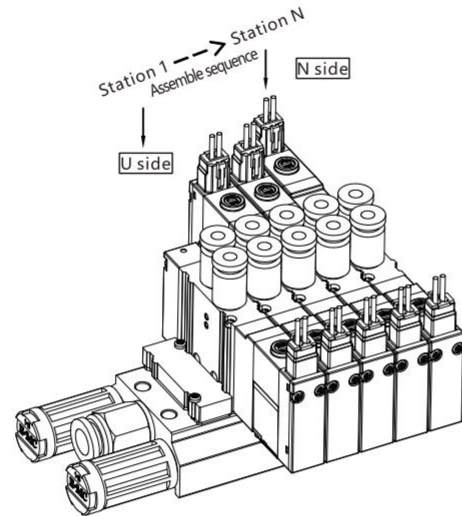
SVY Valve Terminal

Series NO.	5/2 way	Body Size	Valve qty	Voltage	Manual Button	Inlet& Exhaust Port	Wiring	Thread Type
SVY: SVY Series	52	1: 1 series 2: 2 series	Valve qty (Applicable to different ports mixed, blank if same ports.)	E4: DC24V	Blank: Press & Rotate Lock H: Without Lock			Blank:G P:PT T:NPT
			Qty (Max.24 links for same valve type)				Blank: None 0.3m: 0.3m wiring 0.6m: 0.6m wiring 1m: 1m wiring	

Code	Function	Remark	Series	Code	Port size	Remark	Code	Port Entry	Series	Remark
S	5/2 single	Assembly sequence, 1st link start from U side.	1series	M5	M5 fitting	Assembly sequence, 1st link start from U side	Blank	Both side without silencer, fitting, plug	--	1.Plugs are mounted on the opposite side of the selected ports. 2.Only U, U1 side is available for bottom ported.
D	5/2 double			C4	φ 4 one-touch fitting(ZPOC04-M5C)		U	U side with silencer, PC fitting	φ 8	
C	3 position 5 port(center close)			M7	M7 fitting		N	Station N with silencer, PC fitting		
P	3 Position 5 port(center pressure)		2Series	C4	φ 4 one-touch fitting(ZPOC04-01G)	UN	Both side with silencer, PC fitting	φ 10		
E	3 position 5 port(center exhaust)			C6	φ 6 one-touch fitting(ZPOC06-M7C)	UL	U side with silencer, PL fitting			
Y①	4 position dual 3-port valve(N.C.)		06	1/8 port	NL	Station N with silencer, PL fitting				
H①	4 position dual 3-port valve(N.O.)		C4	φ 4 one-touch fitting(ZPOC04-01G)	UNL	Both side with silencer, PL fitting				
U①	4 position dual 3-port valve(N.C./N.O.)		C6	φ 6 one-touch fitting(ZPOC06-01G)	U1	U side with silencer, POC fitting				
B	Blind plate		C8	φ 8 one-touch fitting(ZPOC08-01G)	N1	Station N with silencer, POC fitting				
YK	2pcs 3/2 (N.C.) spring return				UN1	Both side with silencer, POC fitting				
HK	2pcs 3/2 (N.O.) spring return									
UK	2pcs 3/2 (N.O./N.C.) spring return									

Order Example:

1. Same valve: SVY series valve terminal, 1 series body, 6 links 5/2 single control SVY5211, port size M5, DC24V, G thread, both side without silencer, fitting, plug, the ERP code is SVY521-6S-M5E4.
2. Mix different valve: SVY series valve terminal, 1 series body, see right picture: station 1 is blind plate, station 2 & station 3 are 5/2 single control SVY5211, station 4 is 5/2 double control SVY5212, station 5 is 2pcs 3/2(N.O.) SVY5412H, station 6 is 5/3 SVY5312C. DC24V, U-sub side with silencer, φ 8 PC fitting, G thread. The ERP code is SVY521-B2SDHC-C4E4-U.



Specifications

Model	SVY5211 SVY5212	SVY5412Y/U/H	SVY5412YK/UK/HK	SVY5312C/E/P	SVY5221 SVY5222	SVY5422Y/U/H	SVY5422YK/UK/HK	SVY5322C/E/P
Sectional Area (mm)	M5/C4: 5(CV=0.28) M7/C6: 7(CV=0.39)	M5/C4: 4.6(CV=0.26) M7/C6: 6.5(CV=0.36)		16.2(CV=0.9)		14.5(CV=0.8)		
Positions	2 position 5 port	dual 3/2 valves	dual 3/2 valves	3 position 5 port	2 position 5 port	dual 3/2 valves	dual 3/2 valves	3 position 5 port
Working Pressure(Mpa)	0.15~0.8		0.2~0.8		0.15~0.8		0.2~0.8	
Port Size	M5/M7				G1/8			
Working Medium	Clean air(After 40µm filtration)							
Pilot Exhaust Type	Internal pilot type/ External pilot type							
Reset Type	air return , air return+spring return							
Lubrication	No required							
Proof Pressure(Mpa)	1.2							
Working Temperature(°C)	-20 ~ 70(No freezing)							
Working Voltage	DC24V							
Voltage Range	±10%							
Power Consumption	Standard type: 0.8W							
Insulation Class	F Class							
Protective Class	IP40 dust proof							
Max.Acting Frequency	5/2: 5Cycles/s; 5/3: 3Cycles/s							
Activate Time(0.5Mpa)	15ms or less(0.5Mpa)							

Order Example:

Wiring(Same as RV5221 Wiring)

Wiring Series	Accessory	Wiring Length
DBL	P01: wiring accessory	0.3M: 0.3m wiring 0.6M: 0.6m wiring 1M: 1m wiring (Note: Please contact E.MC for customized length)

Blind Plate

Series	Type	Accessory	5/2 way	Body Size
S:Standard	VY:Normal	BP	52	1:1 Series 2:2 Series

SVY Series Solenoid Valve&Valve Terminal

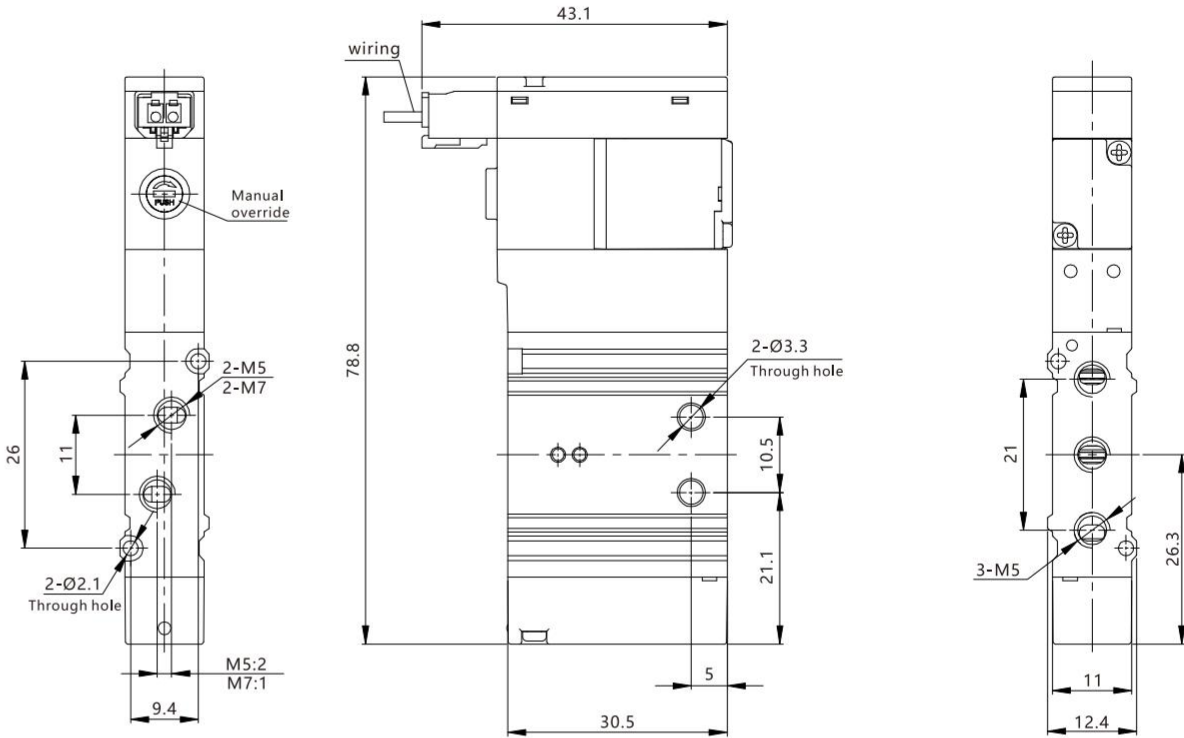


1

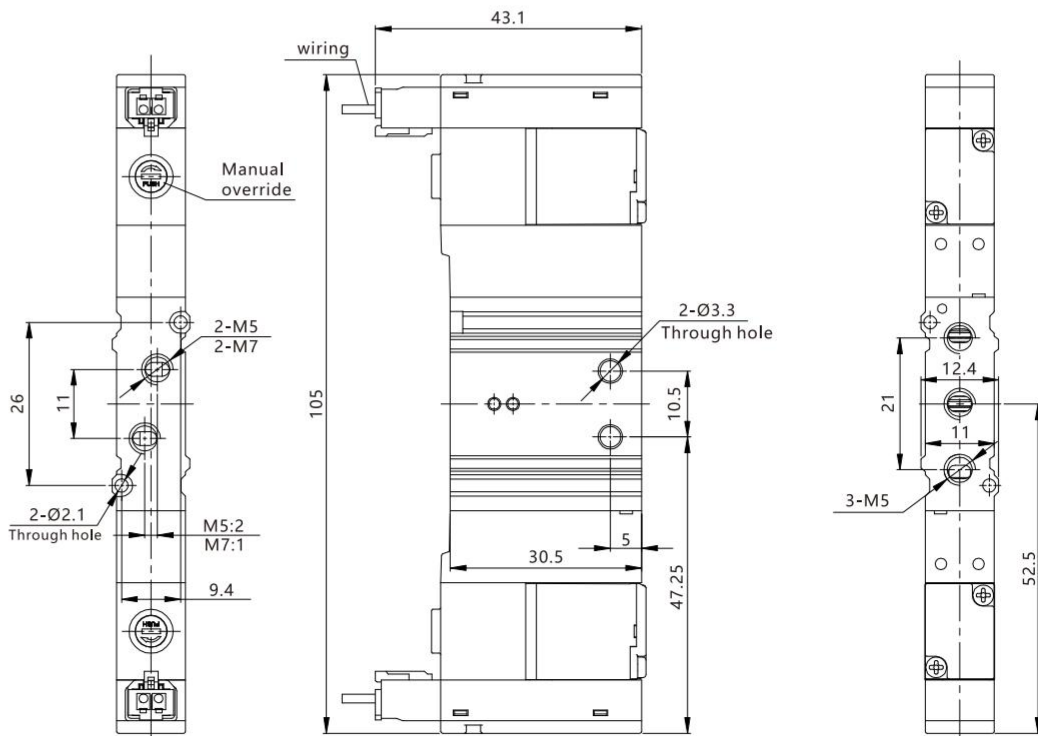
SVY

Main Dimension

SVY5211

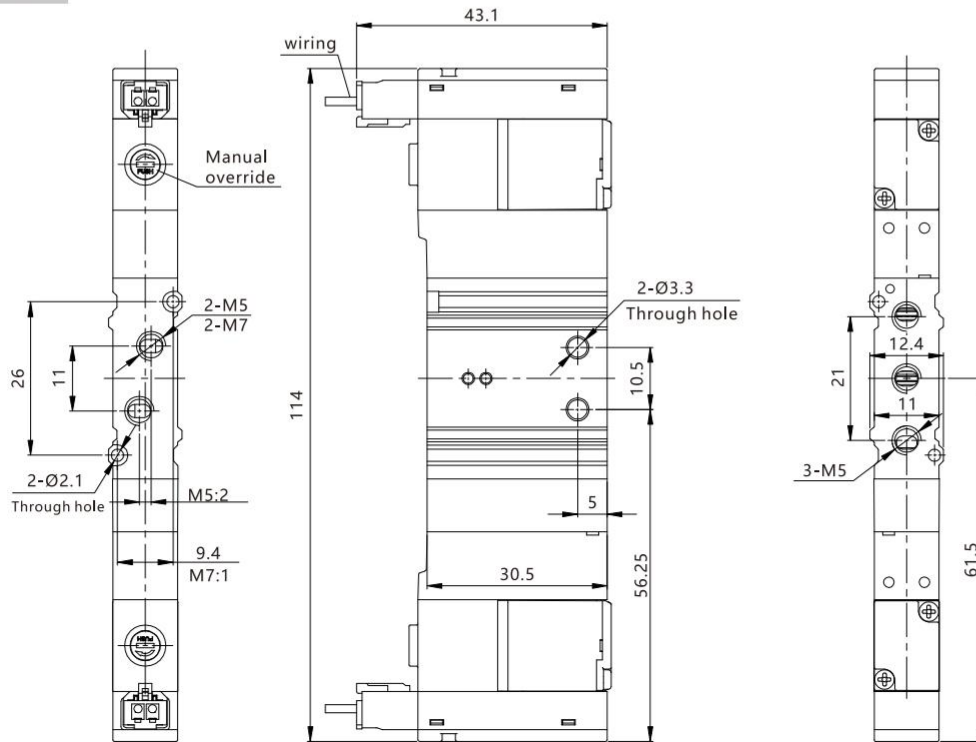


SVY5212

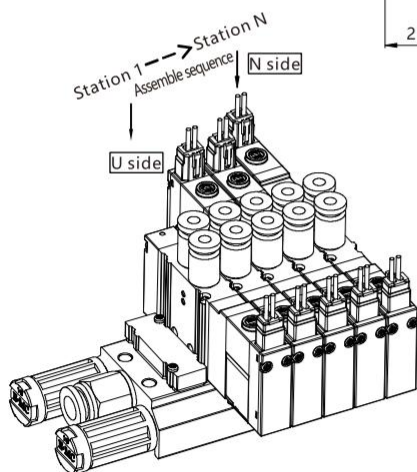
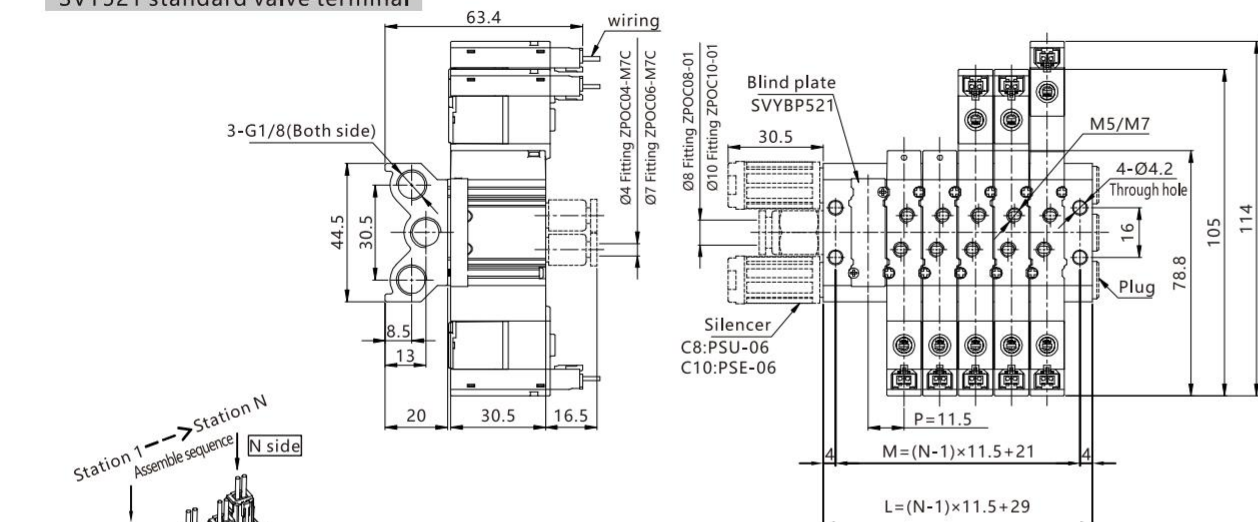


Main Dimension

SVY5312



SVY521 standard valve terminal



Sign	Model	1	2	3	4	5	6	7	8
	L	29	40.5	52	63.5	75	86.5	98	109.5
	M	21	32.5	44	55.5	67	78.5	90	101.5
Sign	Model	10	11	12	13	14	15	16	
	L	121	132.5	144	155.5	167	178.5	190	201.5
	M	113	124.5	136	147.5	159	170.5	182	193.5
Sign	Model	18	19	20	20	22	23	24	
	L	213	224.5	236	247.5	247.5	270.5	282	293.5
	M	205	216.5	228	239.5	239.5	262.5	274	285.5

Note: N means valve link

SVY Series Solenoid Valve&Valve Terminal

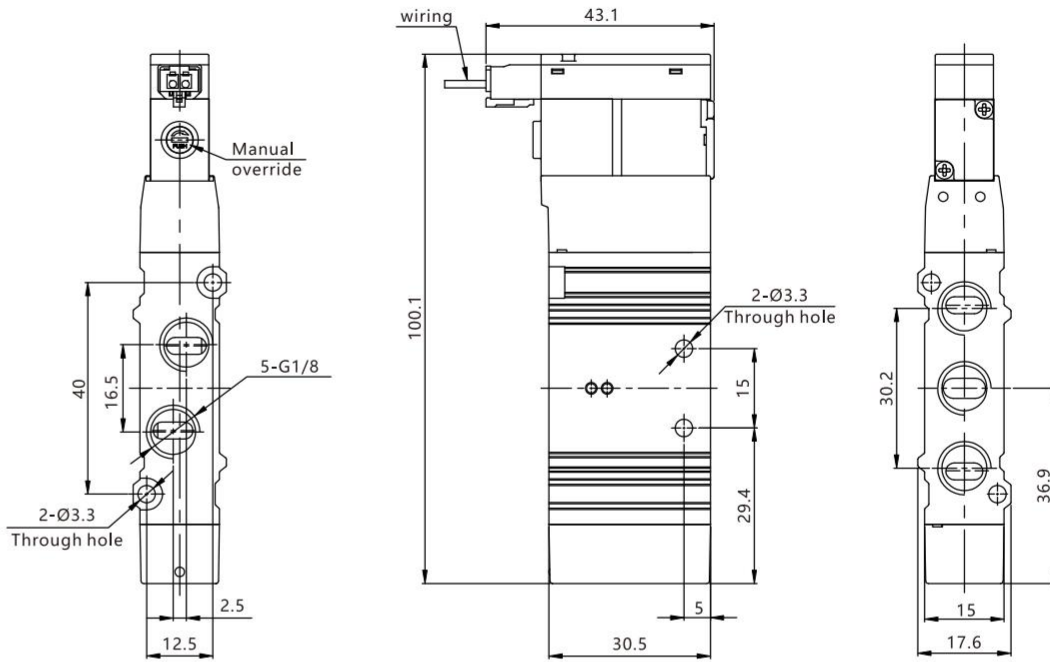


1

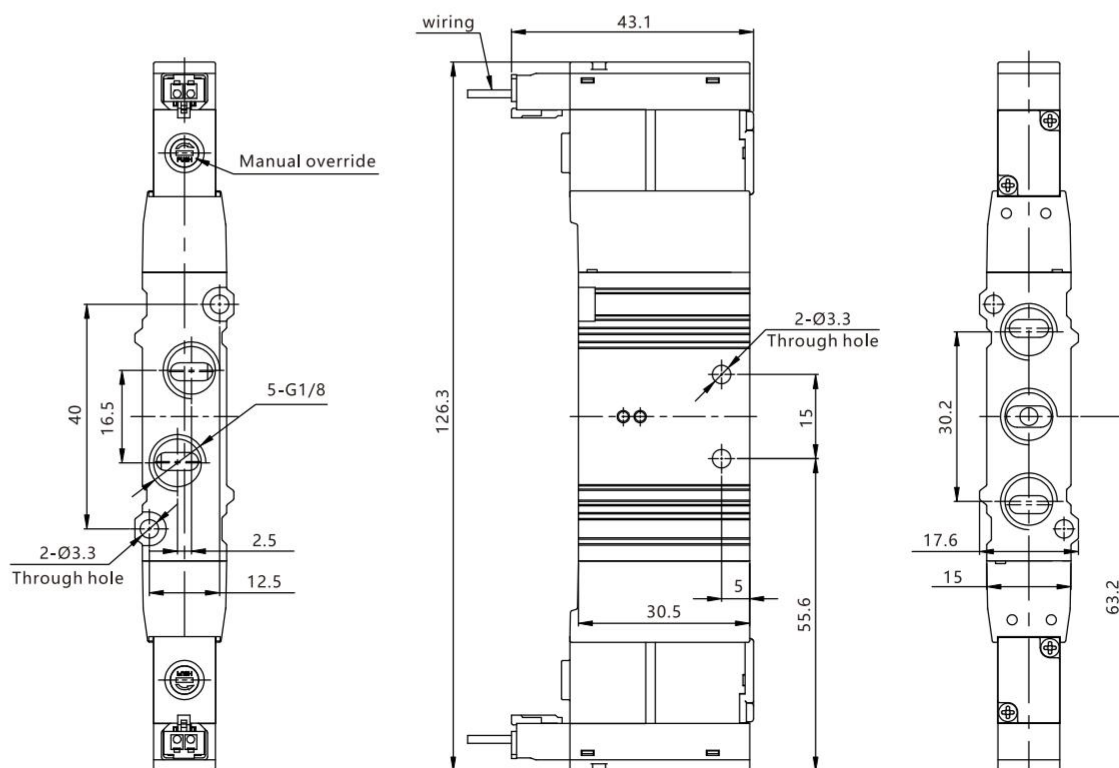
SVY

Main Dimension

SVY5221

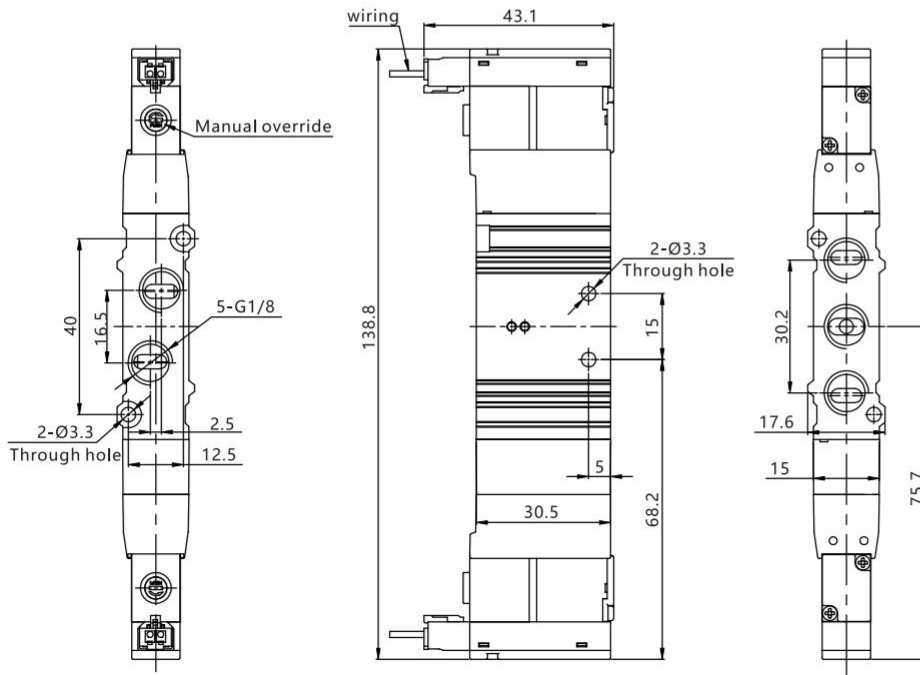


SVY5222/SV5422

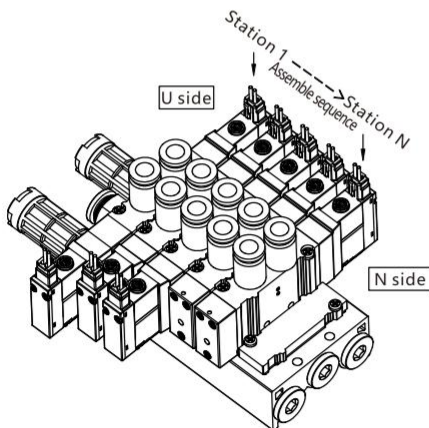
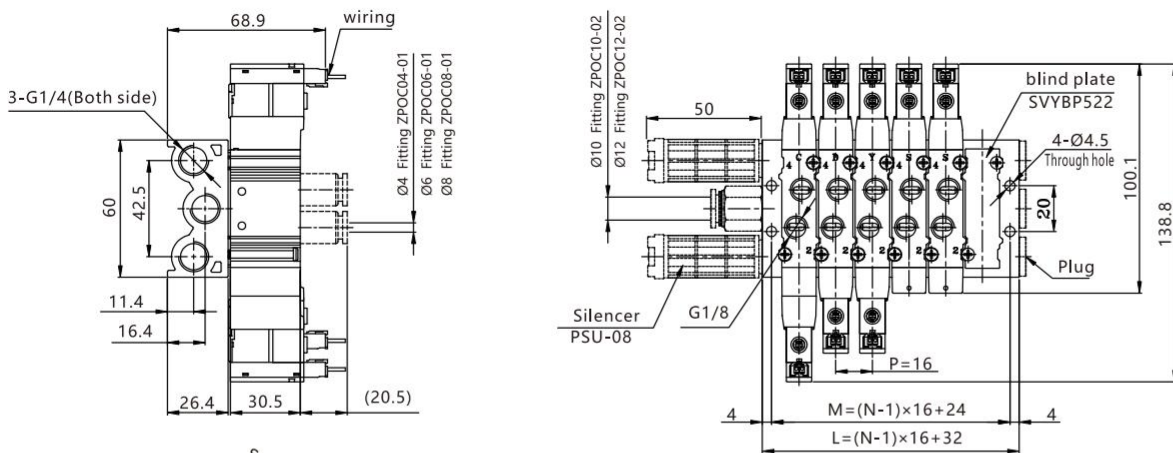


Main Dimension

SVY5322



SVY522 standard valve terminal



Sign	Model	2	3	4	5	6	7	8	9
L		48	64	80	96	112	128	144	160
M		40	56	72	88	104	120	136	152
Sign	Model	10	11	12	13	14	15	16	17
L		176	192	208	224	240	256	272	288
M		168	184	200	216	232	248	264	280
Sign	Model	18	19	20	21	22	23	24	25
L		304	320	336	352	368	384	400	
M		296	312	328	344	360	376	392	

Note: N means number of the manifold stations