

SVT

Solenoid Valve(IP65)



Valve Slice



Air supply & Exhaust module



Blind plate

Order Example

Valve slice

Series No.	Piping Type	Identification code	Ports	Positions	Body Size	Controls	Original Status	Port Size	Voltage	Pilot Type	Manual Button	Thread Type
S: Standard SN: Energy-saving	V: Piping on valve VM: Piping on manifold (VM series should work with manifold)	T	5: 5 ports	2: 2 position 3: 3 position 4: Dual 3/2 valves	1: 1 series 2: 2 series	1: Single control 2: Double control		M5: M5 M7: M7 06: 1/8" (Note: Available for V type only)	E4: DC24V	Blank: Internal pilot WB: External pilot ②	Blank: Press & Rotate Lock H: Without Lock	Blank: G P: PT T: NPT

Note:

① Y/H/U is not available for external pilot due to the air return.

YK/HK/UK is available for external pilot due to the spring return (not available for standard valve group either separate use).

② All external pilot operated single valve are intended for use in multi-pin intergrated valve or valve terminal only, and cannot be used in ordinary manifold valve or alone.

Order Example:

S series standard type, piping on valve, identification code T, 5/2 way, 1 series valve body, single control, M5 port, Dc24V. internal pilot. the ERP code is :SVT5211-M5E4.

Air supply & exhaust module

Series No.	Piping Type	Identification code	Category	5/2 way	Body Size	Thread Type
S: Standard	V: Top ported VM: Side ported	T	NP	52	1: 1 series 2: 2 series	Blank: G

No.	Code	Port size	Remark
1 Series	M5	M5: M5 port	when fittings required, the silencer will be mounted together
	C4	φ 4 one-touch fitting(ZPOC04-M5C)	
	M7	M7: M7 port	
2 Series	C6	φ 6 one-touch fitting(ZPOC06-M7C)	
	06	1/8 port	
	C8	φ 8 one-touch fitting(ZPOC08-01G)	

Order Example:

S series standard type, top ported type, identification code T, category NP, 5/2 way, 2 series valve body size, φ 8 port, G thread, the ERP code is SVTNP522-C8.

Blind plate

Series No.	Blind Plate Type	Identification code	Category	2 Position 5 Port	Valve Size
S: Standard	V: Top port VM: Side port	T	BP	52	1:1 series 2:2 series

Order Example:

S series standard type, top ported type, identification code T, category BP, 5/2 way, 1 series valve body size, the ERP code is SVTBP521.

SVT Series Solenoid Valve(IP65)



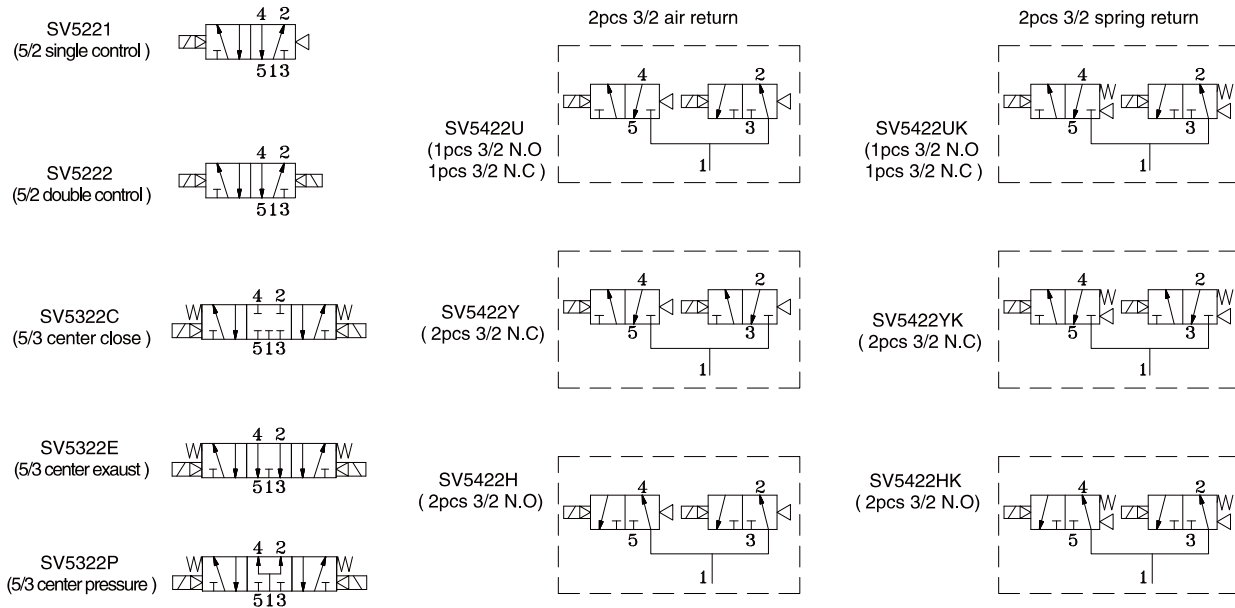
1

SVT

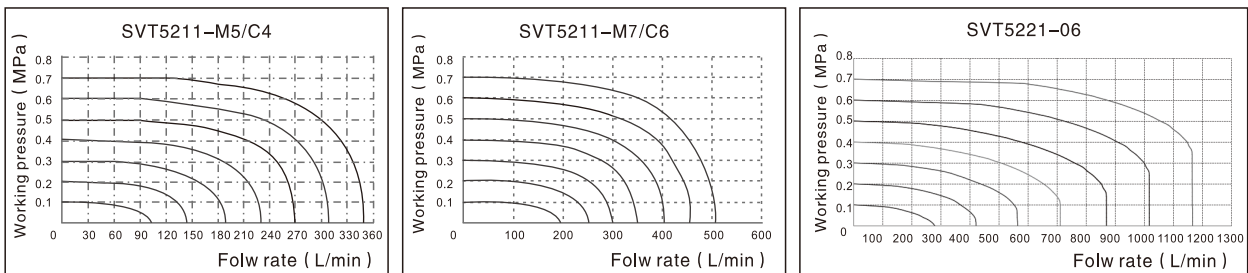
Specifications

Model	SVT5211 SVMT5211	SVT5212 SVMT5212	SVT5412Y/UH SVMT5412Y/UH	SVT5412YK/UK/HK SVMT5412YK/UK/HK	SVT5312C/E/P SVMT5312C/E/P	SVT5221 SVMT5221	SVT5222 SVMT5222	SVT5422Y/UH SVMT5422Y/UH	SVT5422YK/UK/HK SVMT5422YK/UK/HK	SVT5322C/E/P SVMT5322C/E/P
Sectional Area (mm)	M5/C4: 5 (CV=0.28) M7/C6: 7 (CV=0.39)		M5/C4: 4.6 (CV=0.26) M7/C6: 6.5 (CV=0.36)			16.2 (CV=0.9)		14.5 (CV=0.8)		
Positions	2 position 5 port		dual 3/2 valves		3 position 5 port	2 position 5 port		dual 3/2 valves		3 position 5 port
Working Pressure (MPa)	0.15~0.8		0.2~0.8		0.15~0.8		0.2~0.8		0.2~0.8	
Pilot pressure(external pilot type)(MPa)	0.25~0.8		0.25~0.8(Exceed working pressure 0.1 Mpa at least)			0.25~0.8		0.25~0.8(Exceed working pressure 0.1 Mpa at least)		0.25~0.8
Port Size	M5/M7 (Not available for VM series)					G1/8				
Working Medium	Clean air(After 40 μ m filtration)									
Pilot Exhaust Type	Internal pilot type / External pilot type									
Reset Type	air return , air return+spring return									
Lubrication	No required									
Proof Pressure (Mpa)	1.2									
Working Temperature (°C)	-20~70 (No freezing)									
Working Voltage	DC24V									
Voltage Range	± 10%									
Power Consumption	Standard □ 0.8W									
Insulation Class	F Class									
Protective Class	IP65									
Max.acting Frequency	5/2: 5 cycles/s; 5/3: 3 cycles/s									
Activate Time(0.5MPa)	15ms or less					20ms or less				
Weight (g)	55.5	64.5	65	65	68	88	97	98.5	98.5	104

Symbol



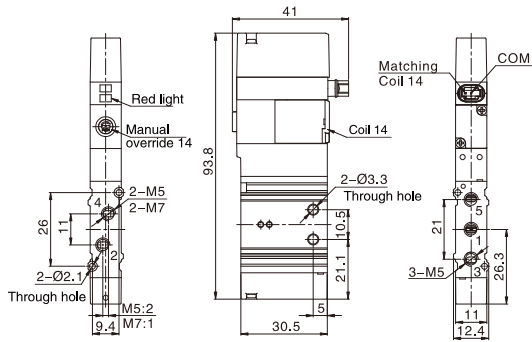
Flow Chart



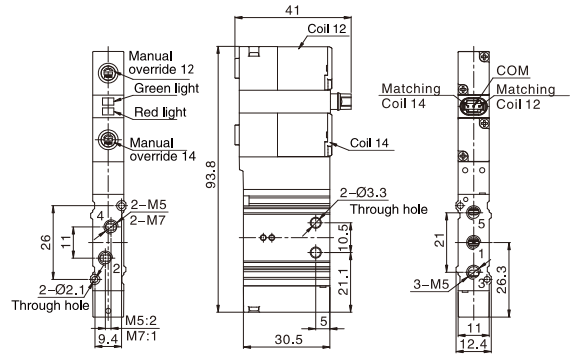
Main Dimension

Solenoid Valve

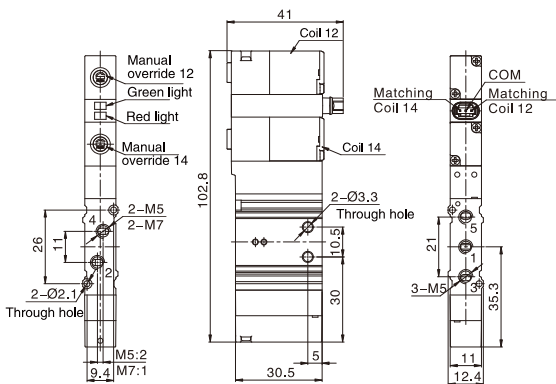
SVT5211



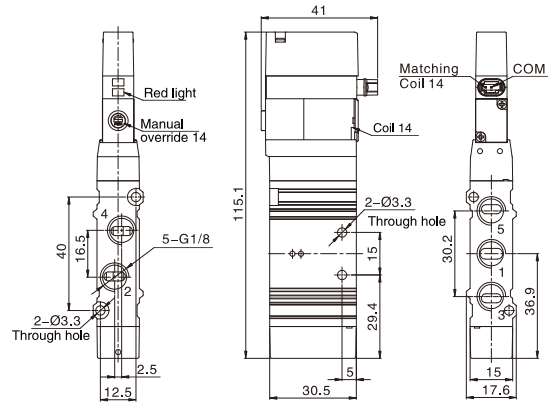
SVT5212/SVT5412



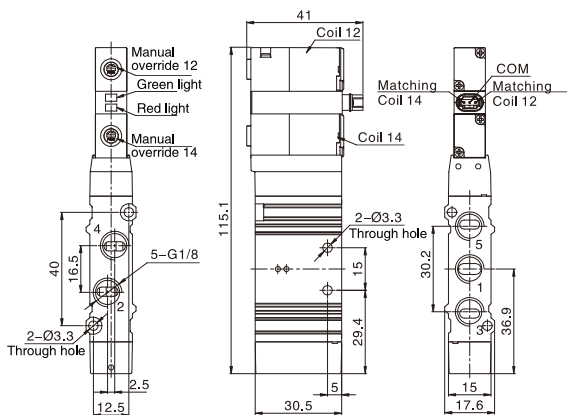
SVT5312



SVT5221



SVT5222/SVT5422



SVT5322

