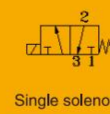
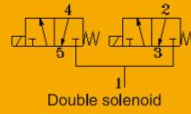


S1PV

3/2-way Integrated Valve Terminal



Product Features

- 3/2-way direct-acting solenoid valve terminal, with sensitive shifting and the ability to start under zero pressure or vacuum conditions;
- The valve terminal integrates two solenoid valves in one valve position with integrated wiring, significantly reducing the installation space in the length direction;
- Uses a high-density 26-pin D-sub connector to reduce installation time, and there is no polarity distinction on the COM terminal;
- Maximum number of valve positions is 12, accommodating 24 solenoid valves;
- The integrated valve terminal features a high-strength aluminum alloy manifold plate, resulting in a compact structure with a sleek and elegant overall appearance, and it holds a design patent;
- The patented structure with two solenoid valves on the same side allows wiring in the same direction, with a modular design that facilitates maintenance;
- Manual buttons are provided for easy maintenance, installation, and commissioning;
- Solenoid valves use SV series pilot valves, ensuring stable and reliable performance;
- Coil power standard type is 0.8W, low-power energy-saving type is 0.35W (suitable for long-term energized applications)."

How to Order?

Integrated valve manifold

Series	Valve	Code	□	□	□	Voltage	Wiring method	Inlet port	Thread type
S: Standard type SN: Energy-saving type	1:1 series	PV: PV series	NO.: 2-12 link			E4:DC24V	Blank: Double solenoid wiring	Blank: No fitting	Blank: G
								C6: Φ6 tube fitting(ZPOC06-01G)	
								L6: Φ6 tube fitting(ZPL06-01G)	
								C8: Φ8 tube fitting(ZPOC08-01G)	
								L8: Φ8 tube fitting(ZPL08-01G)	

Code	Valve function	Remark	Code	Working Port	Remark
S	3/2 solenoid valve (Single solenoid)	assembly sequence, 1st link start from U side	M5	M5	assembly sequence, 1st link start from U side
D	3/2 solenoid valve (Double solenoid)		C4	Φ4 tube fitting (ZPOC04-M5C)	

Order Example:

S series (Standard type), 1-series valve body, PV series 2-position 3-port direct-acting solenoid valve, 9 double-solenoid 2-position 3-port valves, DC24V voltage, Φ4 tube fitting for working ports, Φ6 tube fitting for inlet port, G thread. ERP code: SIPV-9D-C4E4-C6

Solenoid valve

Series	Valve	Ports	Working Positions	Control Heads	Voltage
S: Standard type SN: Energy-saving type	PV:PV series	3: 3-por	2: 2-Position	1: Single solenoid, 2: Double solenoid	E4: DC24V

Note: Standard installation screws included

Integrated Valve Manifold Connector & Cable

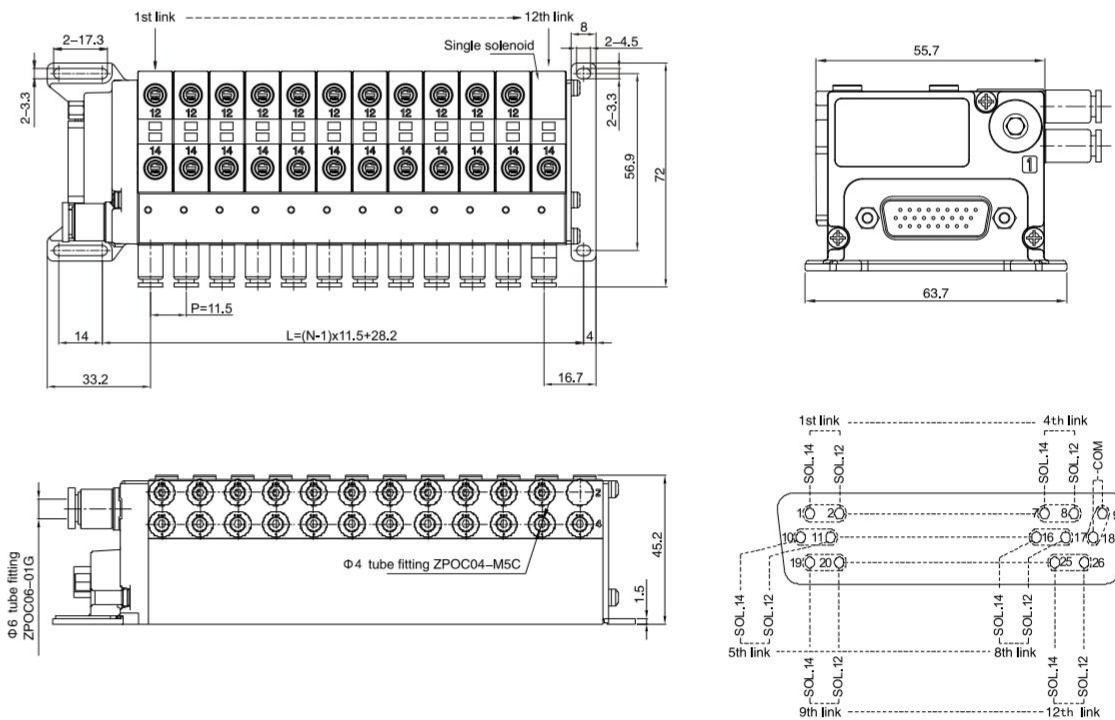
Connector	Cable Core Configuration	Cable Length
D26: 26-pin D-sub connector	26: 26 cores (for ≤24 coils)	1M: 1 meter 2M: 2 meters 3M: 3 meters Note: Other lengths available upon request.

S1PV series 3/2-way Integrated Valve Terminal

Specifications

Model	SN1PV	S1PV
Operating medium	Dry compressed air filtered through a 40 μm filter	
Positions	3/2-Way	
Actuation type	Direct-acting	
Cv value	0.01	
Port size	Inlet G1/8, Working port M5	
Lubrication	Not required	
Operating pressure (MPa)	0 ~ 0.8	
Max. pressure resistance (MPa)	1.2	
Operating temperature (° C)	-20 ~ 70 (under ice-free conditions)	
Operating voltage	DC24V	
Voltage tolerance	± 10%	
Power consumption	1.2W (startup), 0.35W (holding)	0.8W
Insulation class	Class F	
Protection rating	IP40	
Max. operating frequency	20Hz	
Response	≦ 5ms	

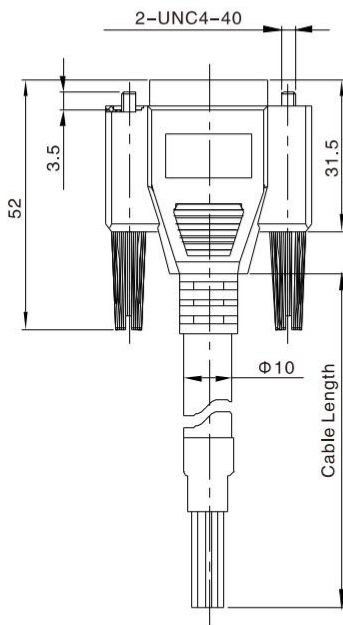
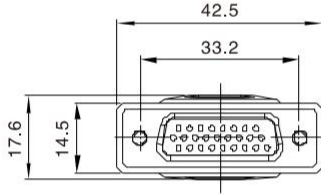
Dimensions



Note: n represents the number of valve positions.

n	2 link	3 link	4 link	5 link	6 link	7 link	8 link	9 link	10 link	11 link	12 link
L	39.7	51.2	62.7	74.2	85.7	97.2	108.7	120.2	131.7	143.2	154.7
Weight (g)	Single solenoid	175	218	261	304	347	389	432	475	518	561
	Double solenoid	192	250	304	357	411	464	518	571	625	678

Connector & Cable



Connector Cable	PIN number & WireColor	
	PIN number	D26-26 Wire Color
	1	Red and black
	2	Red and white
	3	Red
	4	Orange and black
	5	Orange and white
	6	Orange
	7	Yellow and black
	8	Yellow
	9(COM)	Black
	10	Pink and black
	11	Pink
	12	Blue and white
	13	Blue
	14	Green and black
	15	Green
	16	Purple and white
	17	Purple
	18(COM)	Black
	19	Brown and white
	20	Brown
	21	Grey and black
	22	Grey
	23	White and black
	24	White
	25	Green and White
	26	Light green

