

ET307/ETA307/ET307S Series Direct Acting Solenoid Valve(3/2 way)

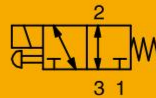


1

ET307/ETA307

ET307/ETA307/ET307S

Direct Acting Solenoid Valve(3/2 way)



ETA307 Series



ET307 Series

Product Features

- Direct acting, sensitive action.
- Zero pressure starting, suitable for vacuum application.
- Universal for N.C. & N.O. type, suitable for 8 kinds applications.
- Coaxial shut-off design, balanced spool without back pressure, no influence from working medium pressure, high anti-dirty and excellent sealing.
- Multiple mounting types, manual button equipped for convenient debugging.
- Valve body is made by high strength aluminum alloy, and manufactured at one time, with hard oxidized surface treatment.

How to Order?

Series No.	ID Code	Response time	Port Size	Voltage	Connection Mode	Connector Color	Wiring	Thread Type	Mounting	Stations
ET: ET Series ETA: ETA Series	307	Blank: Standard S: high speed type	06: 1/8" 08: 1/4" (ETA Series 1/8" only)	E4: DC24V	Blank: DIN type F: Flying leads K: Water proof type L: Plug-in Type (High-speed type without F-lead)	Blank: Brown translucent J: Colorless and translucent B: Black (Black is available for water proof connector only)	Blank: 0.3 meter cable 0.6M: 0.6 meter cable 1M: 1 meter cable (Options for "L: Plug-in type" and "F: Flying leads type" Only)	Blank: G	Blank: without mounting bracket FA: with mounting bracket (This is not an option in the case of interlocking rows)	2F: 2 Stations 3F: 3 Stations 16F: 16 Stations (Available for valve group only)

Order Example:

ET series, standard type, 1/8" bore, DC24V, junction box type, teal, G tooth, without mounting bracket, its ERP code is: ET307-06E4

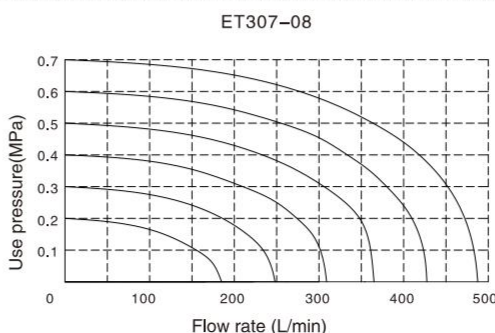
Manifold

Series No.	N	F	Thread Type
ETA307 Series	2: 2 Stations 3: 3 Stations 16: 16 Stations	F: Manifold	Blank: G P: PT T: NPT

Blind Plate

ETABP307
ETA307 Series Blind Plate

Flow Rate Characteristics



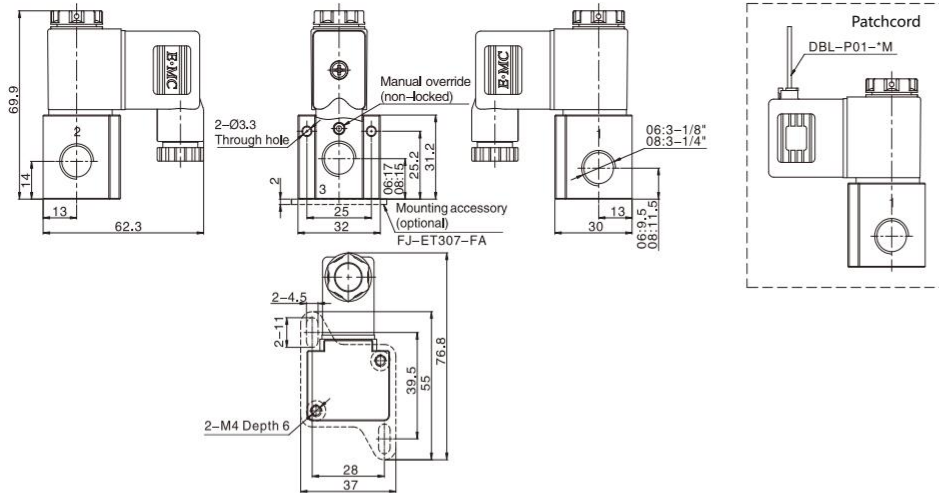
Specifications

Model No.	ET307-06	ET307-08	ETA307-06	ET307S-06	ET307S-08	ETA307S-06
Working Medium	Clean air(After 40 μ m filtration)					
Acting type	Direct acting					
Sectional area(mm)	3.9(Cv=0.23)	4.2(Cv=0.25)	3.9(Cv=0.23)	3.9(Cv=0.23)	4.2(Cv=0.25)	3.9(Cv=0.23)
Port size	G1/8"	G1/4"	G1/8"	G1/8"	G1/4"	G1/8"
Lubrication	Not required					
Working Pressure(MPa)	-0.1~0.7					
Max.Pressure(MPa)	1.5					
Working Temperature(°C)	-20~70 (No freezing)					
Voltage Range	± 10%					
Power consumption	6.5			2		
Insulation Class	F Class					
Protective class	IP65(DIN40050)					
Max. acting frequency	50			125 ^①		
Seals Material	NBR					
Response Time	On: 8 Off: 2.5			On: 3 Off: 2		
Weight (g)	163	159	150	174	170	161

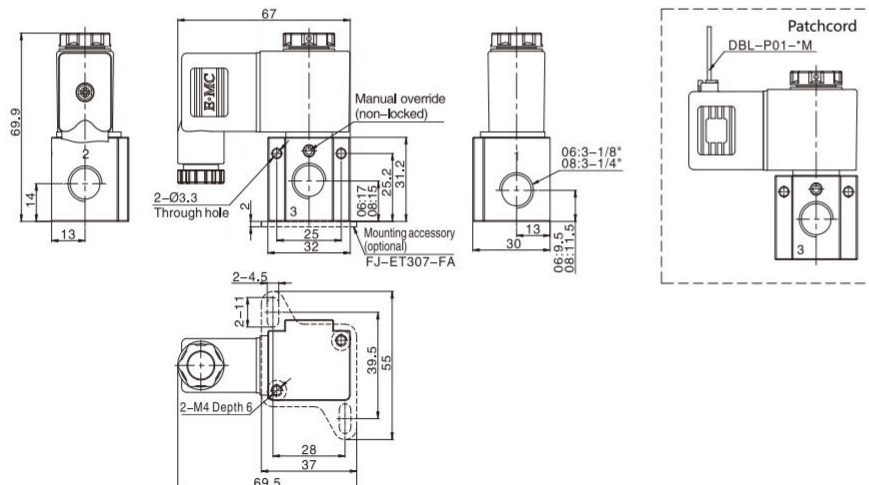
① When the frequency exceeds 70Hz, the ambient temperature must be restricted.

Main Dimension

ET307



ET307S

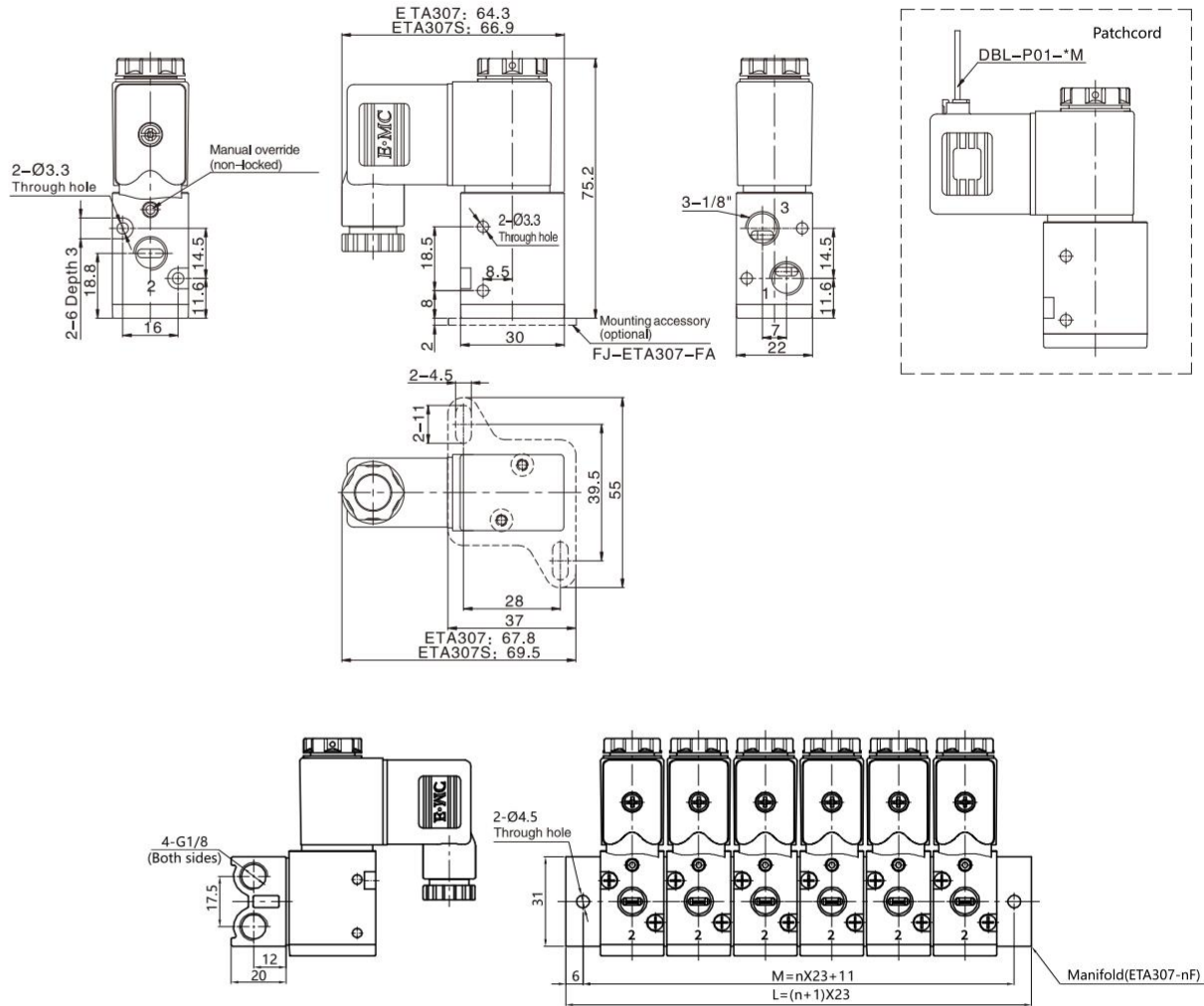


ET307/ETA307/ET307S Series Direct Acting Solenoid Valve(3/2 way)



○ Main Dimension

ETA307/ETA307S



sign	model	1F	2F	3F	4F	5F	6F	7F	8F	9F	10F
M		34	57	80	103	126	149	172	195	218	241
L		46	69	92	115	138	161	184	207	230	253