

EMCJ

Full Stainless Steel Series Angle Valve



Product Features

- * High flow capacity, low flow resistance, and no water hammer;
- * Y-type design, increasing flow by 30%;
- * Extra-long service life;
- * Self-aligning and self-lubricating valve stem;
- * The cylinder is made of stainless steel, which performs exceptionally well in harsh environments and can rotate 360°.

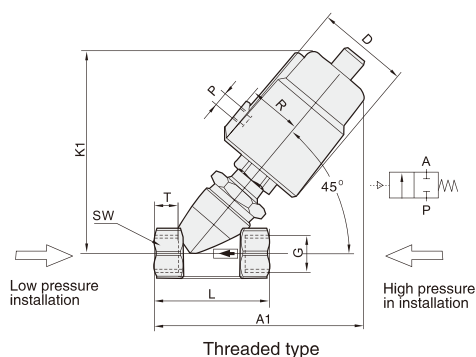
How to Order?

| Series No. | Port Size | Actuator Size | Acting Type | Valve Body Material | Thread Type |
|---|--|--|---|------------------------|-----------------------------|
| EMCJ: Full Stainless Steel Series Angle Valve | 10: 3/8" 15: 1/2" 20: 3/4" 25: 1" 32: 1-1/4" 40: 1-1/2" 50: 2" | 40: Φ40mm 50: Φ50mm 50: Φ50mm 50: Φ50mm 63: Φ63mm 63: Φ63mm 80: Φ80mm 100: Φ100mm | Blank: NC Single Acting D: Double acting DC: NC Double Acting (Note: The standard is no water-hammer type, the water-hammer type can be customized.) | S1: SS316 S2: SS304 | Blank: G P: PT T: NPT |

Order Example:

EMCJ series full stainless steel angle valve, 3/8 port size, 40mm actuator size, NC single acting, SS316 valve body, G thread, ERP code is: EMCJ-1040S1

Main Dimension



| Size | Actuator (mm) | D (mm) | R (mm) | P | Thread | | | | | |
|------|---------------|--------|--------|------|--------|---------|---------|--------|--------|---------|
| | | | | | G | K1 (mm) | A1 (mm) | L (mm) | T (mm) | SW (mm) |
| DN10 | 40 | 50.5 | 27 | 1/8" | 3/8" | 115 | 120 | 68 | 12 | 22 |
| | 50 | 62 | 34 | 1/8" | 3/8" | 126 | 133 | 68 | 12 | 22 |
| DN15 | 40 | 50.5 | 27 | 1/8" | 1/2" | 115 | 120 | 68 | 15 | 25 |
| | 50 | 62 | 34 | 1/8" | 1/2" | 126 | 133 | 68 | 15 | 25 |
| DN20 | 50 | 62 | 34 | 1/8" | 3/4" | 131 | 137 | 75 | 16 | 31 |
| | 50 | 62 | 34 | 1/8" | 1" | 140 | 149 | 100 | 17 | 39 |
| DN25 | 63 | 77 | 41.5 | 1/8" | 1" | 165 | 174 | 100 | 17 | 39 |
| | 63 | 77 | 41.5 | 1/8" | 1-1/4" | 175 | 188 | 116 | 21 | 50 |
| DN32 | 80 | 98 | 52 | 1/4" | 1-1/4" | 185 | 203 | 116 | 21 | 50 |
| | 100 | 121 | 63 | 1/4" | 1-1/4" | 205 | 215 | 116 | 21 | 50 |
| | 63 | 77 | 41.5 | 1/8" | 1-1/2" | 178 | 190 | 116 | 21 | 56 |
| DN40 | 80 | 98 | 52 | 1/4" | 1-1/2" | 187 | 204 | 116 | 21 | 56 |
| | 100 | 121 | 63 | 1/4" | 1-1/2" | 208 | 216 | 116 | 21 | 56 |
| | 63 | 77 | 41.5 | 1/8" | 2" | 184 | 203 | 138 | 22 | 68 |
| DN50 | 80 | 98 | 52 | 1/4" | 2" | 195 | 218 | 138 | 22 | 68 |
| | 100 | 121 | 63 | 1/4" | 2" | 215 | 230 | 138 | 22 | 68 |

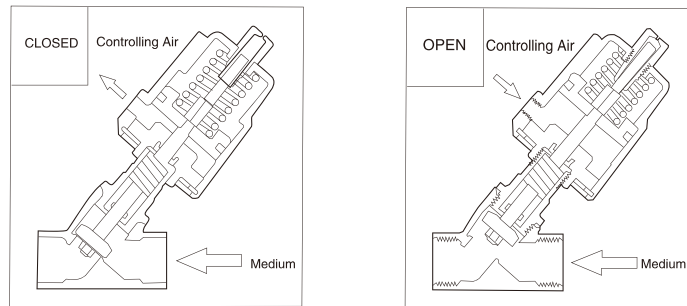
Specifications

| Model | EMCJ10-50 | Model | EMCJ10-50 |
|-------------------|--|--------------------------------|------------------|
| Port size | DN10-DN50 | Temperature of medium(°C) | PTFE: -10 ~ +180 |
| Thread | G3/8"-G2" | Ambient temperature(°C) | -10 ~ +60 |
| Body material | CF8M | Viscosity (mm ² /s) | Max600 |
| Actuator material | CF8 | Installation | any position |
| Seat seal | PTFE | Controlling medium | air/neutral gas |
| Stem seal | PTFE/FKM | Controlling pressure (Bar) | 3-10 |
| Applicable medium | water,neutral gas or liquid,ethanol,oil,organic solvent,steam,alkalescent and weak acid solution | | |

EMCJ Series Full Stainless Steel Series Angle Valve



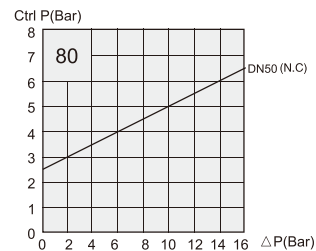
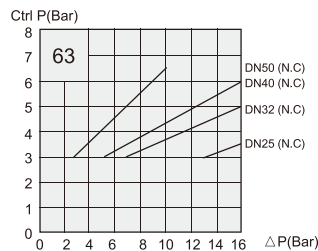
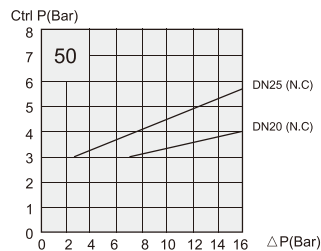
Flow direction: UP the seat, single acting normal close /open



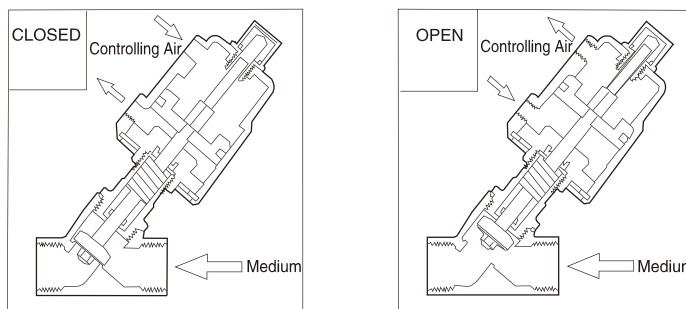
Specifications

| Type | Post size | Orifice (mm) | Actuator (mm) | Kv valve | Working pressure (Bar) | Normal Close | | Normal Open | | Order code | |
|------|-----------|--------------|---------------|----------|------------------------|--|------------------------------|--|------------------------------|---------------------------------|--------------------------------|
| | | | | | | Admitted differential pressure range (Bar) | Control pressure range (Bar) | Admitted differential pressure range (Bar) | Control pressure range (Bar) | N.C. Normal close single acting | N.O. Normal open single acting |
| DN10 | G3/8" | 13 | 40 | 4.7 | 16 | 0-16 | ≥ 4 | - | - | EMCJ10-40 | - |
| | G3/8" | 13 | 50 | 4.7 | | 0-16 | ≥ 3 | 0-16 | 3 | EMCJ10-50 | EMCJ10-50H |
| DN15 | G1/2" | 13 | 40 | 4.7 | | 0-16 | ≥ 4 | - | - | EMCJ15-40 | - |
| | G1/2" | 13 | 50 | 4.7 | | 0-16 | ≥ 3 | 0-16 | 3 | EMCJ15-50 | EMCJ15-50H |
| DN20 | G3/4" | 18 | 50 | 9.5 | | 0-16 | 3-4 | 0-16 | 3 | EMCJ20-50 | EMCJ20-50H |
| DN25 | G1" | 24 | 50 | 18.1 | | 0-16 | 3-5.5 | - | - | EMCJ25-50 | - |
| | G1" | 24 | 63 | 18.1 | | 0-16 | 3-3.5 | 0-16 | 3.5 | EMCJ25-63 | EMCJ25-63H |
| DN32 | G1-1/4" | 31 | 63 | 23.1 | | 0-16 | 3-5 | 0-14 | 3.9 | EMCJ32-63 | EMCJ32-63H |
| DN40 | G1-1/2" | 35 | 63 | 32.9 | | 0-16 | 3-6 | 0-11 | 3.9 | EMCJ40-63 | EMCJ40-63H |
| DN50 | G2" | 45 | 63 | 52.8 | | 0-10 | 3-6.5 | 0-6 | 3.9 | EMCJ50-63 | EMCJ50-63H |
| | G2" | 45 | 80 | 52.8 | | 0-16 | 3-6.6 | 0-12 | 4.5 | EMCJ50-80 | EMCJ50-80H |

Flow Chat



Flow direction: UP the seat, double acting normal close /open



Specifications

| Type | Port size | Orifice (mm) | Actuator (mm) | Kv valve | Working pressure 180°C max (Bar) | Admitted pressure difference (Bar) | Control pressure | | Model | |
|------|-----------|--------------|---------------|----------|----------------------------------|------------------------------------|---------------------------|---------------------------------------|---------------------|---------------------------------|
| | | | | | | | Double acting (N.C) (Bar) | Double acting free installation (Bar) | Double acting (N.C) | Double acting free installation |
| DN10 | G3/8" | 13 | 40 | 4.7 | 16 | 0-16 | ≥4 | 0-2 | EMCJ10-40DC | EMCJ10-40D |
| DN10 | G3/8" | 13 | 50 | 4.7 | | 0-16 | ≥3 | 0-1 | EMCJ10-50DC | EMCJ10-50D |
| DN15 | G1/2" | 13 | 40 | 4.7 | | 0-16 | ≥4 | 0-2 | EMCJ15-40DC | EMCJ15-40D |
| DN15 | G1/2" | 13 | 50 | 4.7 | | 0-16 | ≥3 | 0-1 | EMCJ15-50DC | EMCJ15-50D |
| DN20 | G3/4" | 18 | 50 | 9.5 | | 0-16 | 3-4 | 0-2 | EMCJ20-50DC | EMCJ20-50D |
| DN25 | G1" | 24 | 50 | 18.1 | | 0-16 | 3-5.5 | 0-3.5 | EMCJ25-50DC | EMCJ25-50D |
| DN25 | G1" | 24 | 63 | 18.1 | | 0-16 | 3-3.5 | 0-2 | EMCJ25-63DC | EMCJ25-63D |
| DN32 | G1-1/4" | 31 | 63 | 23.1 | | 0-16 | 3-5 | 0-4 | EMCJ32-63DC | EMCJ32-63D |
| DN40 | G1-1/2" | 35 | 63 | 32.9 | | 0-16 | 3-6 | 0-5 | EMCJ40-63DC | EMCJ40-63D |
| DN50 | G2" | 45 | 63 | 52.8 | | 0-10 | 3-6.5 | 0-5 | EMCJ50-63DC | EMCJ50-63D |
| DN50 | G2" | 45 | 80 | 52.8 | 0-16 | 3-6.6 | 0-5 | EMCJ50-80DC | EMCJ50-80D | |

Flow Chart

