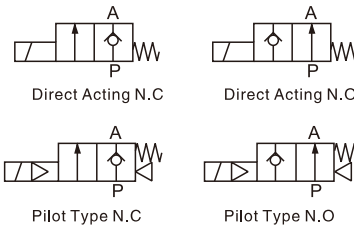


## ELP

### Solenoid Valve

2

ELP



### How to Order ?

Series	Port Size	Original Status	Orifice	ID Code	Voltage	Cover Color	Valve Body Material	Seal Material	Thread Type
ELP		Blank: N.C. H: N.O.	Blank: 1.5mm N: Standard Type N: Energy Saving Type		E1: AC110V E2: AC220V E4: DC24V E5: DC12V E7: AC24V	Blank: Black (only for DBK waterproof type) J: Colorless and translucent (only for DB type)	Blank: Brass	Blank: NBR E: EPDM V: VITON (Only VITON is available for 1/8", 1/4" port) VITON is standard for 1/4" and 1/8", keep this code blank.	Blank: G P: PT T: NPT
	06: 1/8"		015: 1.5mm						
	08: 1/4"		020: 2.0mm						
	10: 3/8"		030: 3.0mm						
	15: 1/2"		040: 4.0mm						
	20: 3/4"		150: 15mm						
	25: 1"		200: 20mm						
			250: 25mm						

(Note:cancel if same with port size; for sizes 06,08, the flow orifice size must be selected; sizes 10 and above do not require selection.)

**Order Example:** ELP series solenoid valve, 1/2 port size, N.C., 15mm orifice, AC220V, black cover color, brass valve body, NBR seal, G thread, ERP code is: ELP15-150E2

### Product Features

- \* 2/2 N.C./N.O solenoid valve, brass valve body, compact design, saving space.
- \* Three types seals are optional, including NBR, EPDM and VITON, catering to different medium requirements.
- \* Direct acting solenoid valve with VITON seal, 4 pressure types are optional: standard, high pressure, ultra high pressure and large flow type.
- \* Well sealed water proof connector, protection grade of IP65.
- \* Reduce power consumption up to 80%.

### Specifications

Model	Direct Acting N.C.								Direct Acting N.O.							
	ELP06-015	ELP08-015	ELP06-020	ELP08-020	ELP06-030	ELP08-030	ELP06-040	ELP08-040	ELP06H-015	ELP08H-015	ELP06H-020	ELP08H-020	ELP06H-030	ELP08H-030	ELP06H-040	ELP08H-040
Port Size	1/8"	1/4"	1/8"	1/4"	1/8"	1/4"	1/8"	1/4"	1/8"	1/4"	1/8"	1/4"	1/8"	1/4"	1/8"	1/4"
Orifice (mm) ①	1.5		2		3		4		1.5		2		3		4	
Cv	0.1		0.18		0.33		0.55		0.1		0.18		0.33		0.55	
Pressure Difference (Bar)	0~30		0~20		0~13		0~8		0~20		0~15		0~7		0~4	
Acting Type	Direct Acting NC.								Direct Acting NO.							
Power consumption	Standard type: AC:15VA DC10W Low power type: AC:4VA DC3W AC110V:7.0VA								Standard type: AC:12VA DC10W Low power type: AC:4VA DC3W AC110V:7.0VA							
Guaranteed Pressure (Bar)	45															
Medium	Air, Water, Hot water, Oil ( ≤20CST )															
Working Temperature (°C)	-20 ~ 80 ( No freezing )															
Voltage Range	-15 ~ 10%															
Insulations	F Class															
Protection grade	IP65(DIN40050)															
Valve Body Material	Brass															
Seal Material	VITON only															

① G, PT, NPT thread type is optional.

# ELP Series Solenoid Valve

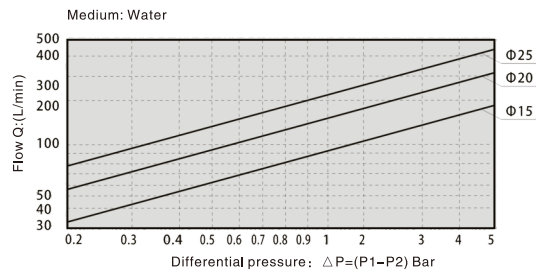
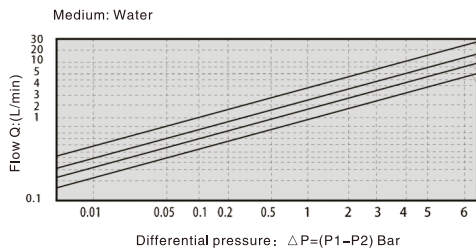
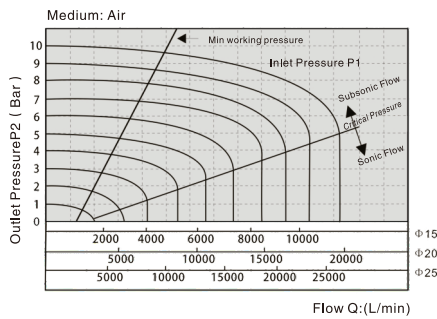
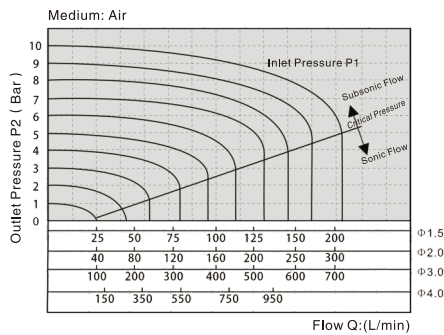


## Specifications

Model	Pilot Type N.C.				Pilot Type N.O.			
Code	ELP10-150	ELP15	ELP20	ELP25	ELP10H-150	ELP15H	ELP20H	ELP25H
Port Size ❶	3/8"	1/2"	3/4"	1"	3/8"	1/2"	3/4"	1"
Orifice (mm)	15				15			
Cv	5.0	5.5	9.5	12.5	5.0	5.5	9.5	12.5
Pressure Difference (Bar)	0.5-16				0.5-10			
Acting Type	Diaphragm pilot type N.C				Diaphragm pilot type N.O			
Power consumption	Standard type: AC:15VA DC10W Low power type: AC:4VA DC3W AC110V:7.0VA				Standard type: AC:12VA DC10W Low power type: AC:4VA DC3W AC110V:7.0VA			
Guaranteed Pressure (Bar)	25				20			
Medium	Air, Water, Hot water, Oil ( $\leq 20\text{CST}$ )							
Working Temperature (°C)	-20 ~ 80 (No freezing)							
Voltage Range	-15 ~ 10%							
Insulations	F Class							
Protection grade	IP65(DIN40050)							
Valve Body Material	Brass							
Seal Material	NBR, EPDM, VITON							

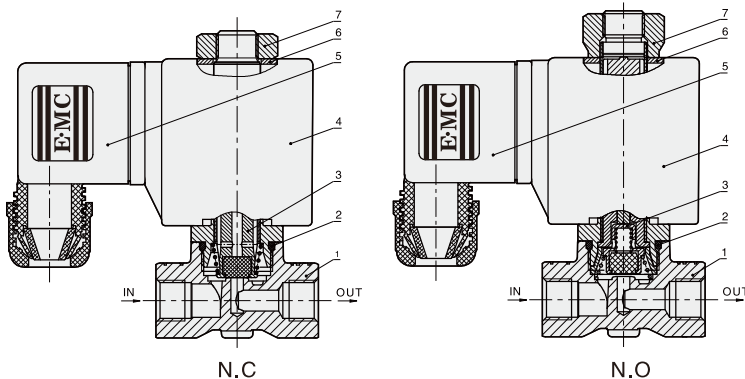
❶ G, PT, NPT thread type is optional.

## Flow Chart



## Internal Structure

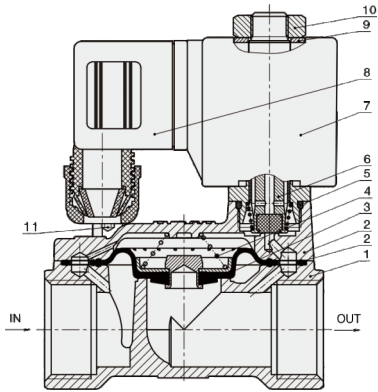
ELP06/08 Direct Acting Type:



No.	Part Name
1	Valve Body
2	O-ring
3	Iron Core Components
4	Coil
5	Water Proof Connector
6	Internal Teeth Washer
7	Hexagon nut

## Internal Structure

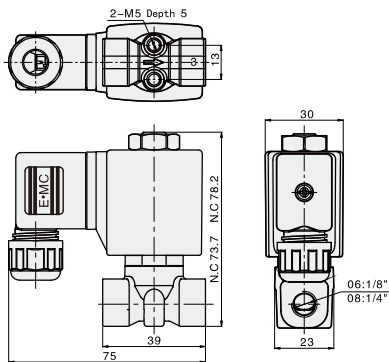
Pilot Type



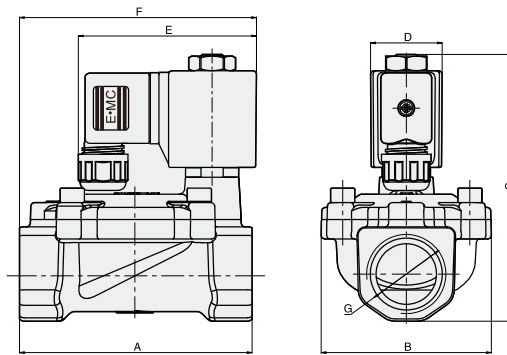
No.	Part Name
1	Valve Body
2	Spacer
3	Diaphragm Components
4	Spring
5	O-ring
6	Iron Core Components
7	Coil
8	Water Proof Connector
9	Internal Teeth Washer
10	Hexagon Nut
11	Screw

## Mounting Dimension

ELP06/08 Direct Acting Type



Pilot Type



Model	A	B	C		D	E	F	G(Port)
			N.C	N.O				
ELP10	66	47	95	99.2	30	74	74	3/8"
ELP15	66	47	95	99.2	30	74	74	1/2"
ELP20	75	56	102	106.2	30	74	79	3/4"
ELP25	96	71	111	115.2	30	74	98	1"