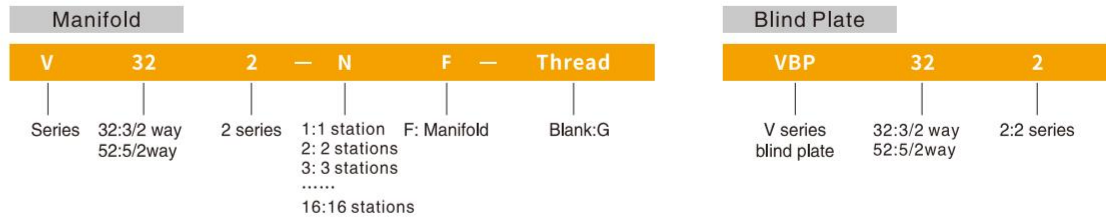


EHE Sereis 5/3 Port Fast Switching Valve



1

EHE



Specification

3 Ports Fast Switching Valve

Model	EHE3221-06 EHE3222-06	EHE3221-08 EHE3222-08	EHE3221S-06 EHE3222S-06	EHE3221S-08 EHE3222S-08
Working medium	Clean air(After 40 μ m filtration)			
Acting Type	Internal pilot type /External pilot type			
Sectional Area (mm)	20 (Cv=1.2)	25.5 (Cv=1.5)	20 (Cv=1.2)	25.5 (Cv=1.5)
Port Size	G1/8	G1/4	G1/8	G1/4
Lubrication	No required			
Working pressure(MPa)	Internal pilot type: 0.15~0.7 /External pilot type: -0.1~0.7			
Pilot pressure	0.2~0.7			
Guaranteed pressure(MPa)	1.1			
Temperature(°C)	Storage temperature: -20~70 (No freezing) / Working temperature: -10~60(No Freezing)			
Voltage range	± 10%			
Power Consumption	6.5w		Starting 20W, Holding 2W	
Insulation class	F			
Protective class	IP65(DIN40050)			
Max. acting Frequency	50Hz		80Hz ①	
Switch time	Open 8ms: Close 4.5ms		Open 4.5ms: Close 4.5ms	
Weight(g)	EHE3221: 241		EHE3221S: 249	
	EHE3222: 387		EHE3222S: 402	

① When the frequency exceeds 70Hz, the ambient temperature must be limited.

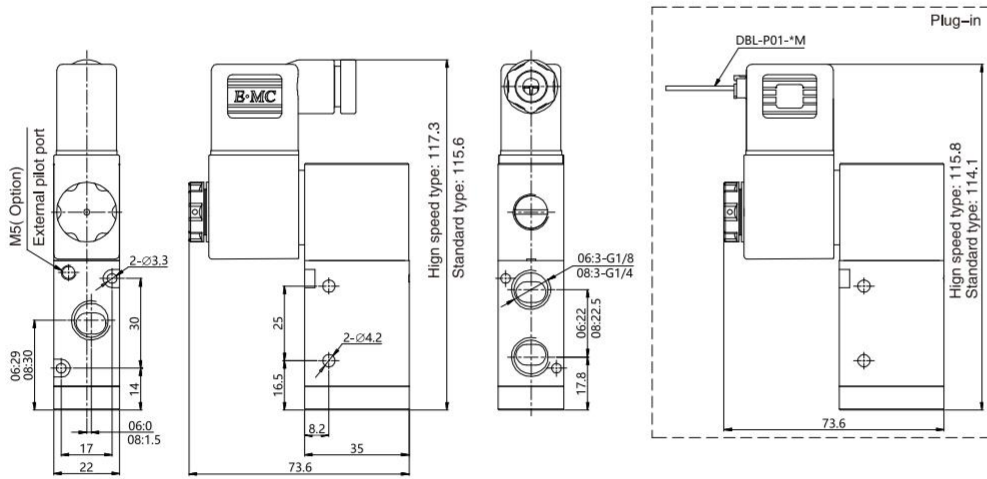
5 Ports Fast Switching Valve

Model	EHE5221-06 EHE5222-06	EHE5221-08 EHE5222-08	EHE5221S-06 EHE5222S-06	EHE5221S-08 EHE5222S-08
Working medium	Clean air(After 40 μ m filtration)			
Acting Type	Internal pilot type /External pilot type			
Sectional Area (mm ²)	2 position:20(Cv=1.2)	2 position:25.5(Cv=1.5)	2 position:20(Cv=1.2)	2 position:25.5(Cv=1.5)
Port Size	G1/8	G1/4'(EXH.G1/8')	G1/8	G1/4'(EXH.G1/8')
Lubrication	No required			
Working pressure(MPa)	Internal pilot type: 0.15-0.7 /External pilot type: -0.1~0.7			
Pilot pressure	0.2~0.7			
Guaranteed pressure(MPa)	1.1			
Temperature(°C)	Storage temperature: -20~70 (No freezing)/ Working temperature: -10~60(No Freezing)			
Voltage range	± 10%			
Power Consumption	6.5w		Starting 20W, Holding 2W	
Insulation class	F			
Protective class	IP65(DIN40050)			
Max. acting Frequency	50Hz		80Hz ①	
Switch time	Open 8ms:Close 4.5ms		Open 4.5ms:Close 4.5ms	
Weight(g)	EHE5221: 251		EHE5221S:259	
	EHE5222: 399		EHE5222S:415	

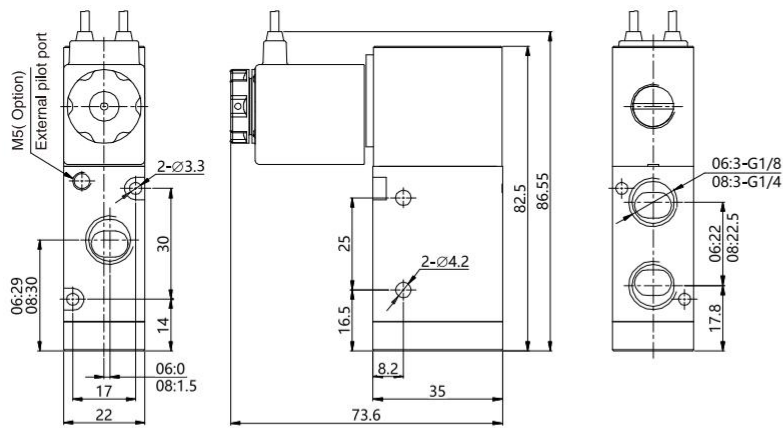
① When the frequency exceeds 70Hz, the ambient temperature must be limited.

Dimensions

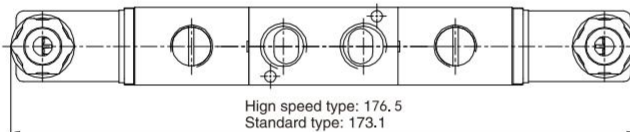
EHE3221 Series



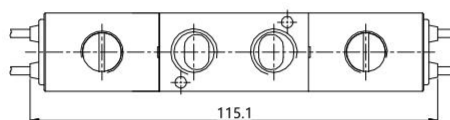
Single Control-connector Type



Single Control- Flying Type



Double Control- Connector Type

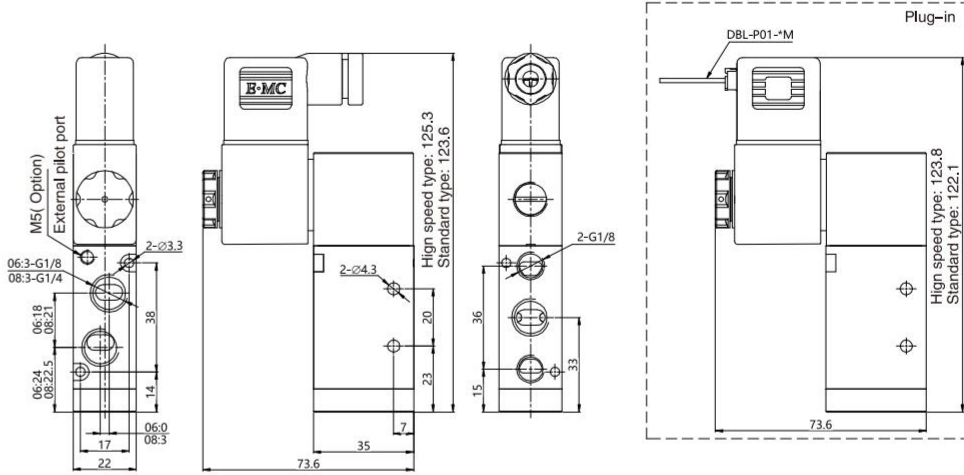


Double Control- Flying Type

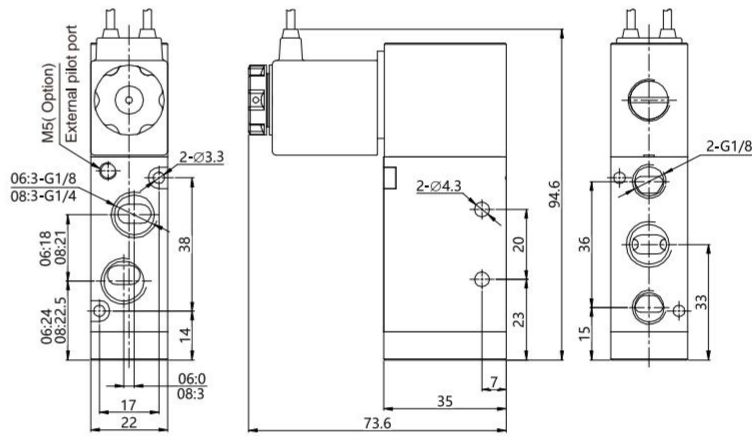
EHE Series 5/3 Port Fast Switching Valve

Dimensions

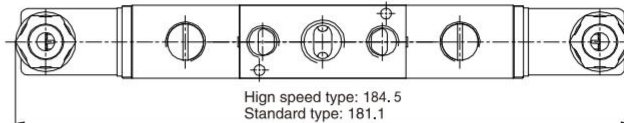
EHE5221 Series



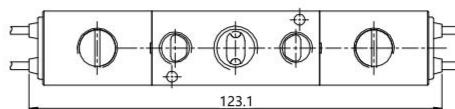
Single Control-connector Type



Single Control- Flying Type



Double Control- Connector Type



Double Control- Flying Type

