

# EHE35 Series 3-way Fast-Switching Valves

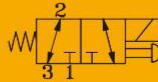


1

EHE35

## EHE35

### 3-way High-speed Valve



#### Product Features

- Direct-acting structural design, ensuring sensitive operation and rapid response;
- Fast response and high-speed switching, with an opening response time of 6ms and a closing response time of 2ms.
- Precision die-cast valve body with a standard high flow rate of 180L/min;
- Coaxial, balanced spool design, high durability and sealing.
- Zero-pressure start, suitable for vacuum.
- 3/2-way valve, versatile for high-speed applications.
- Optional pipe mounting and panel mounting methods, with a manual pushbutton for more convenient operation.

#### How to Order?

##### Valve Slice

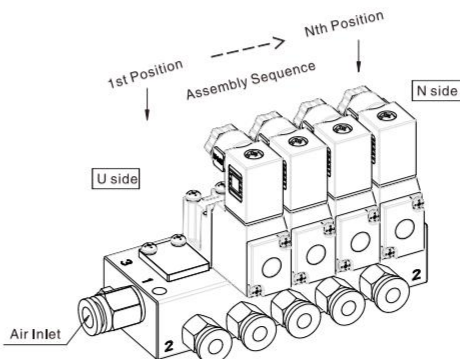
| Series | Type                                      | Valve Body Type   | Port Size                                      | Voltage  | Electrical Connection  | Plug-in Wiring  | Thread type |
|--------|---|---|--|----------|--|---|-------------|
| EHE35  | Blank: Standard type<br>L: High-flow type | A: Tubular<br>M: Manifold<br>(Plate Type Manifold valves require a sub-plate for use) | 06: 1/8"<br>(Not applicable for manifold type) | E4:DC24V | Blank: Wiring box type<br>F: Lead wire type<br>L: Plug-in type | Blank: Patchcord length is 0.3 meter<br>0.6M: Patchcord length is 0.6 meter<br>1M: Patchcord length is 1 meter<br>(Options for "F Type" and "L: Plug-in type" Only) | Blank: G    |

**Order Example:** EHE35 Series, Tubular Type, Terminal Box Type, G-thread, the ERP Code: EHE35A-06E4.

##### Valve Terminal

| Series | Type                                      | Valve Body Type | Quantity   | Voltage        | Electrical Connection  | Inlet and Exhaust Port  | Plug-in Wiring | Thread type |
|--------|---|-----------------|--|----------------|--|---|----------------|-------------|
| EHE35  | Blank: Standard type<br>L: High-flow type | M: Manifold     | Quantity (Valve Position Number)<br>(For different specifications when mixed. Not required if the same specification.) | E4:DC24V(5.4W) | Blank: Wiring box type<br>F: Lead wire type<br>L: Plug-in type | Blank: Patchcord length is 0.3 meter<br>0.6M: Patchcord length is 0.6 meter<br>1M: Patchcord length is 1 meter<br>(Options for "F Type" and "L: Plug-in type" Only) | Blank: G       |             |

| Code | Valve Function         | Code | Working Port                      | Note  | Code  | Inlet and Exhaust Port                            | Tubing | Note  |
|------|------------------------|------|-----------------------------------|---|-------|---|--------|---|
| Y    | Normally Closed (N.C.) | 06   | 1/8" Pipe Connection              | Valve Position Number Starting from the U-side as the 1st Position. | Blank | No silencers, fittings, or plugs on either side   | -      | -   |
| H    | Normally Open (N.O.)   | C4   | Ø4 Pneumatic Fittings (ZPC04-01G) |   | U     | Silencer and PC fitting installed on U-side       |        |   |
| B    | Blind Plate            | C6   | Ø6 Pneumatic Fittings (ZPC06-01G) |   | N     | Silencer and PC fitting installed on N-side       |        |   |
|      |                        | C8   | Ø8 Pneumatic Fittings (ZPC08-01G) |   | UN    | Silencers and PC fittings installed on both sides | Ø8     | Install a plug on the side opposite the air inlet |
|      |                        |      |                                   |   | UL    | Silencer and PL fitting installed on U-side       |        |   |
|      |                        |      |                                   |   | NL    | Silencer and PL fitting installed on N-side       |        |   |
|      |                        |      |                                   |   | UNL   | Silencers and PL fittings installed on both sides |        |   |
|      |                        |      |                                   |   | U1    | Silencer and PC fitting installed on U-side       |        |   |
|      |                        |      |                                   |   | N1    | Silencer and PC fitting installed on N-side       | Ø10    | Silencer V-08G                                    |
|      |                        |      |                                   |   | UN1   | Silencers and PC fittings installed on both sides |        |   |

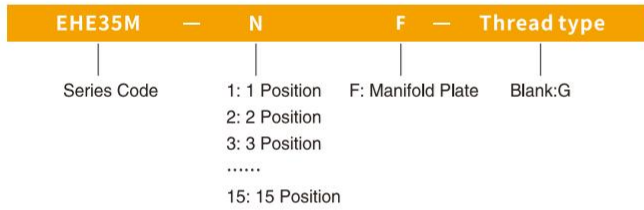


#### Order Example:

EHE35 Series Manifold Type, Standard type, 4-position Normally Closed Valves, 1-position Blind Plate, Working Port Ø6 Pneumatic Fittings, Terminal Box Type, Silencer and PC Fittings on Side U, Pneumatic Tube Size Ø8, G-thread, the ERP Code: EHE35M-4YB-C6E4-U.

## Manifold Plate

### Manifold Plate



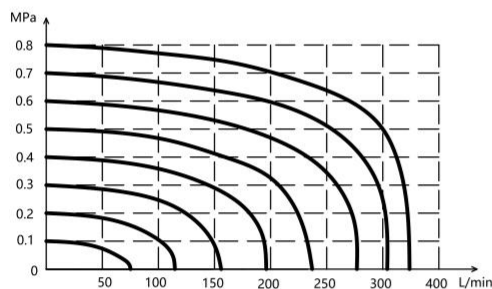
### Blind Plate



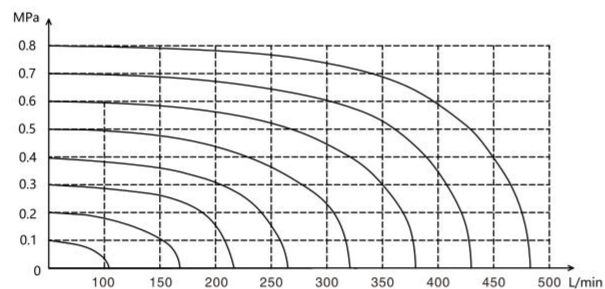
## Specification

| Model   | EHE35A   | EHE35M | EHE35LA                | EHE35LM |
|---|--|--------|------------------------|---------|
| Working Medium                                    | Dried compressed air filtered through a 40 μm filter element |        |                        |         |
| Actuation Type                                    | Direct-acting  |        |                        |         |
| Effective Cross-sectional Area (mm <sup>2</sup> ) | 3(Cv=0.18)   |        | 4.25(Cv=0.25)          |         |
| Port Size   | G1/8   | /      | G1/8                   | /       |
| Lubrication                                       | Not required   |        |                        |         |
| Working Pressure (Mpa)                            | -0.1~0.8   |        |                        |         |
| Maximum Pressure Resistance (Mpa)                 | 1.2  |        |                        |         |
| Operating Temperature (°C)                        | -20 to 60 (non-freezing).                                    |        |                        |         |
| Voltage Range                                     | ± 10%  |        |                        |         |
| Power Consumption                                 | 5.4W   |        | 12.7W                  |         |
| Insulation Class                                  | Class F  |        |                        |         |
| Protection Class                                  | IP65( DIN40050 )   |        |                        |         |
| Response Time                                     | Open 6ms; Close 2ms.   |        | Open 4.5ms; Close 2ms. |         |
| Weight (g)  | 77   | 70     | 77                     | 70      |

## Flow Characteristics



EHE35 Standard Type



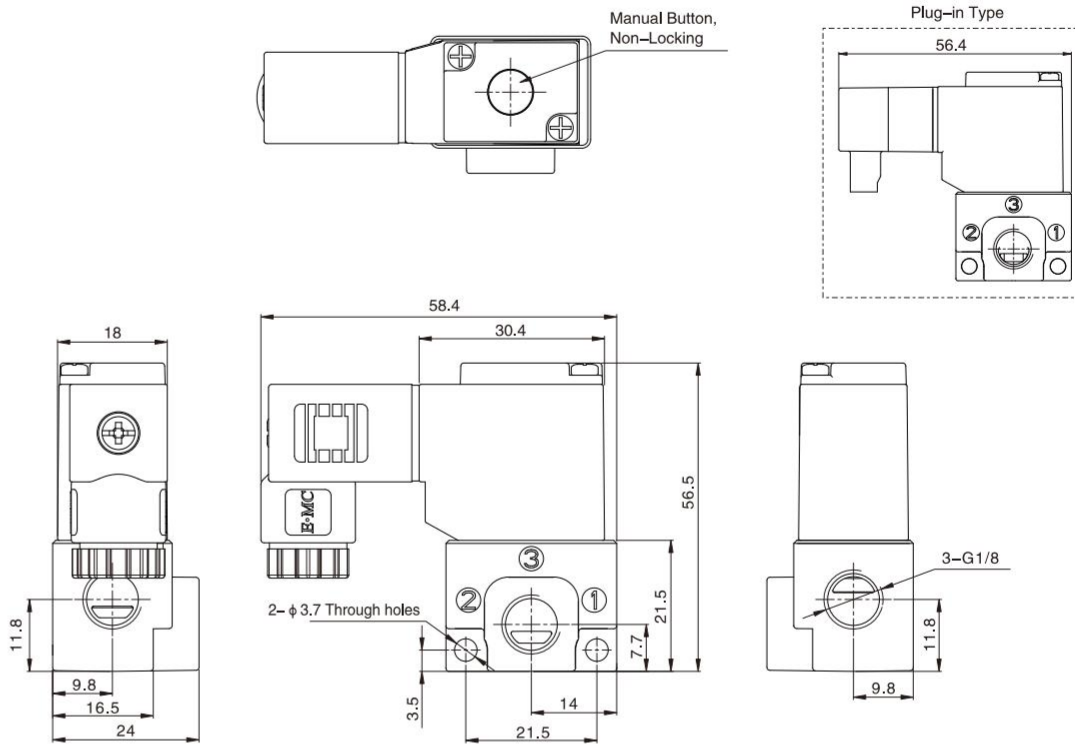
EHE35L High-Flow Type

# EHE35 Series 3-way Fast-Switching Valves

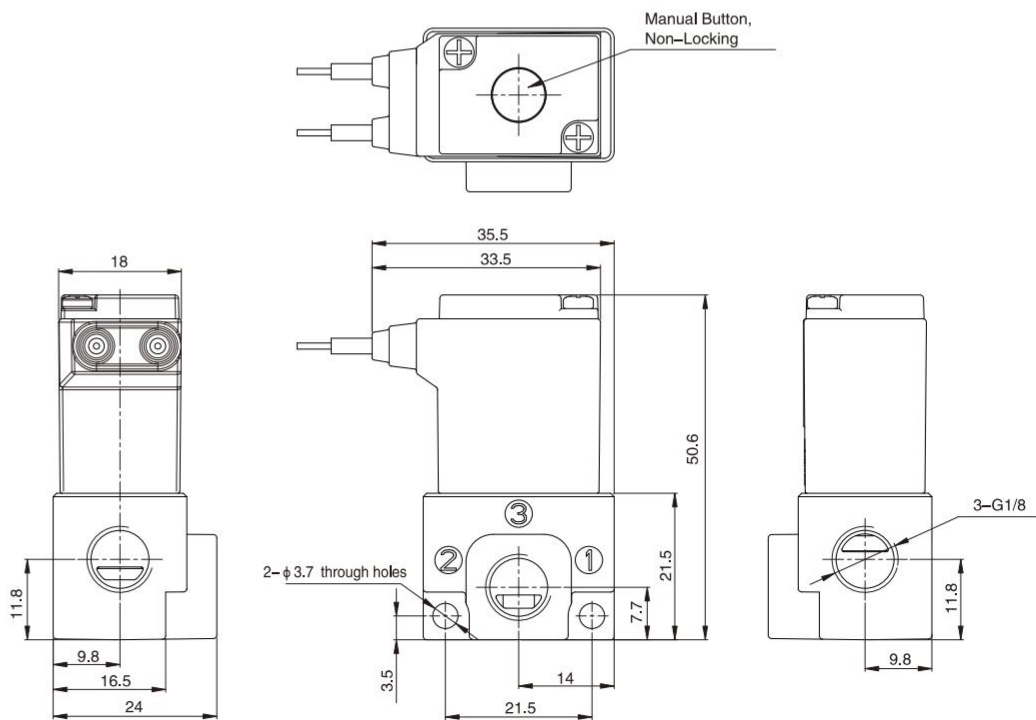


## Dimensions

### EHE35A Terminal Box Type / Plug-in Type

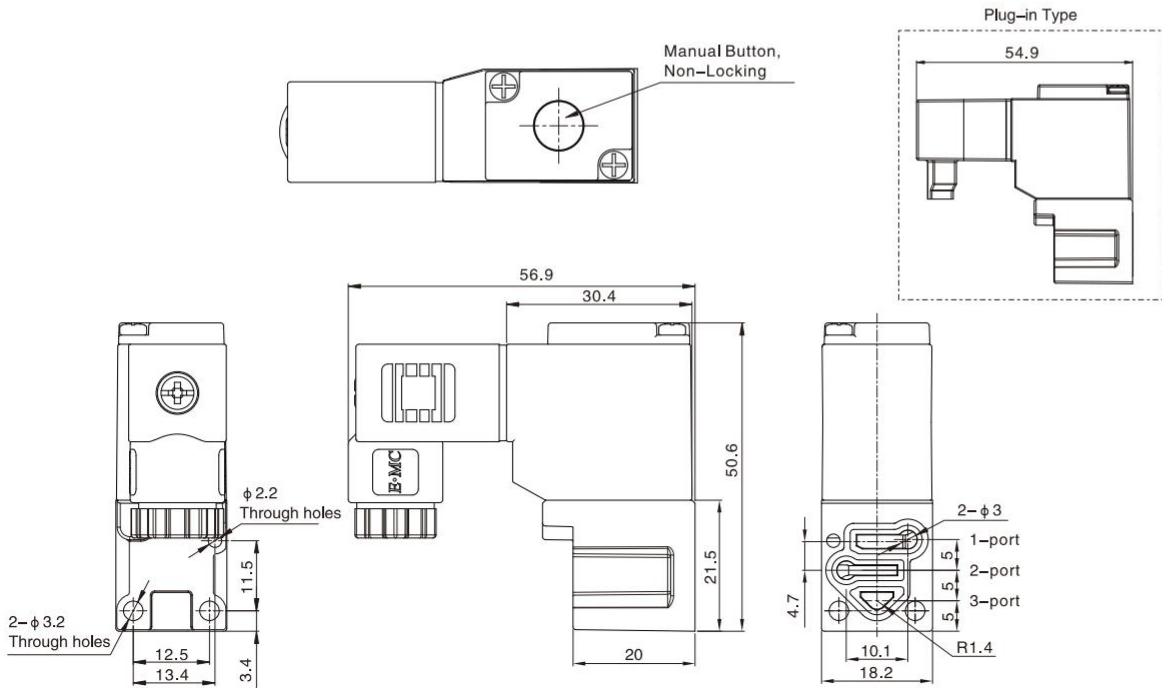


### EHE35A Leaded Type

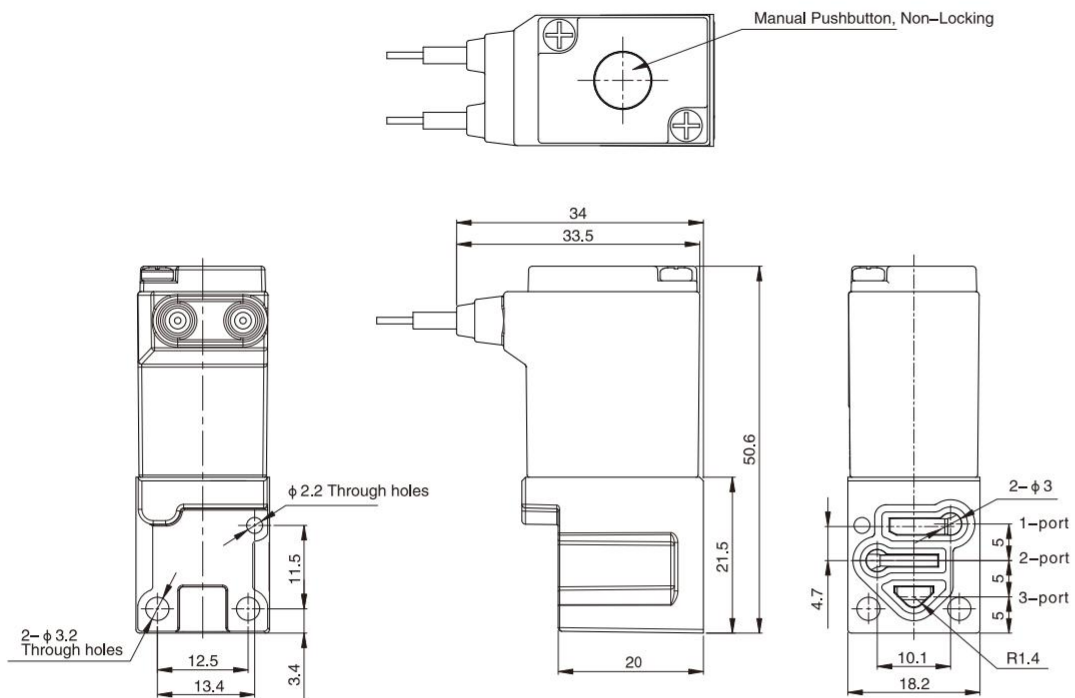


## ○ Dimensions

### EHE35M Terminal Box Type / Plug-in Type



### EHE35M Leaded Type



# EHE35 Series 3-way Fast-Switching Valves



## Dimensions

### EHE35 Series Integrated Valve Group

