

EA One Way Valve



Specifications

Model	EA-06	EA-08	EA-10	EA-15	EA-20	EA-25
Working medium	Clean air(After 40 μ m filtration)					
Lubrication	Not required					
Working pressure (MPa)	0.05-0.8					
Guaranteed pressure (MPa)	1.2					
Working temperature (°C)	-5-60					
Port size	1/8"	1/4"	3/8"	1/2"	3/4"	1"

How to Order?

Series No.	Port Size	Thread Type
EA: One-way valve	06: 1/8 " 20: 3/4 " 08: 1/4 " 25: 1 " 10: 3/8 " 32: 1 1/4 " 15: 1/2 " 40: 1-1/2 " 50: 2 "	Blank: G P: PT T: NPT

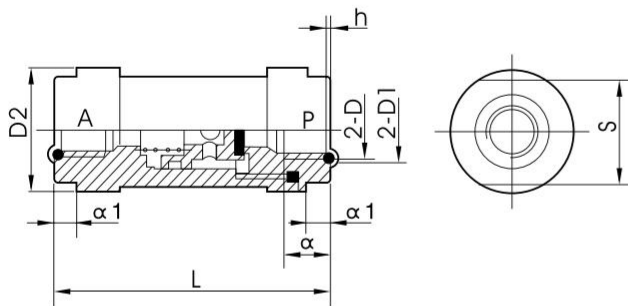
Order Example:

EA series one way valve. 1/4" port size, G thread, ERP code is : EA-08

Product Features

- * Normally working with main valve together, not be used separately
- * Provide assistance to control the system better

Main Dimension



Model	Port size	D	D1	D2	S	L	α	α 1	H
EA-6	6	G1/8	φ 13	φ 25	24	63	10	6	1.4 ⁰ _{-0.1}
EA-8	8	G1/4	φ 16	φ 25	24	63	12	6	1.4 ⁰ _{-0.1}
EA-10	10	G3/8	φ 20	φ 38	36	81	14	8	1.8 ⁰ _{-0.1}
EA-15	15	G1/2	φ 26	φ 38	36	81	14	8	1.8 ⁰ _{-0.1}
EA-20	20	G3/4	φ 32	φ 49	46	109	21	10	1.8 ⁰ _{-0.1}
EA-25	25	G1	φ 40	φ 49	46	109	23	10	2.7 ⁰ _{-0.12}
EA-32	32	G1-1/4	φ 48	φ 86	75	160	25	18	2.7 ⁰ _{-0.12}
EA-40	40	G1-1/2	φ 54	φ 86	75	160	26	18	2.7 ⁰ _{-0.12}
EA-50	50	G2	φ 70	φ 86	90	160	26	26	4.5 ⁰ _{-0.18}